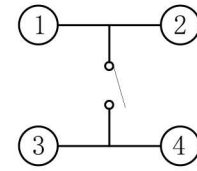
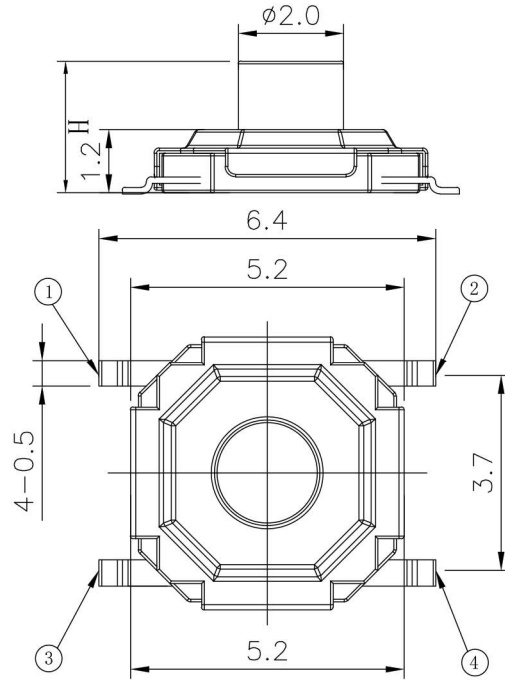
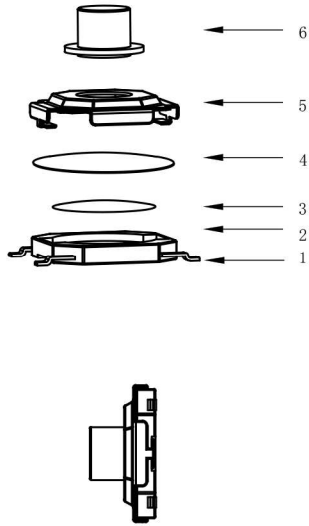


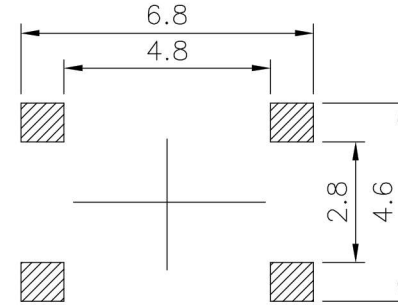
RoHS

CAD GENERATED DRAWING. DON'T CHANGE BY HAND.

| REV. | ECN. NO. | APPD. |
|------|----------|-------|
| | | |



CIRCUIT DIAGRAM



PCB. WELDING DRAWING

Specification

| | |
|-----------------------|--------------------|
| Operating Life | 100,000 |
| Contact rating | 50mA@12V DC. |
| Insulation resistance | 100 MΩ min. |
| Contact resistance | 100mΩ max. initial |
| Dielectric Strength | 250 V AC(1mm) |
| Travel | 0.2±0.15mm |
| Storage Temperature | -30° C to 85° C |

Mechanical

| ITEM | DESCRIPTION | MATERIAL | QTY | FINISH/CO LOR |
|------|-------------|-----------------|-----|---------------|
| E | Button | Brass | 1 | Pickling |
| D | COVER | Stainless Steel | 1 | Cleaning |
| C | DOVE | Stainless Steel | 1 | Plated Ag |
| B | HOUSING | PPA | 1 | Black |
| A | PIN | PHOSPHOR BRONZE | 1 | Plated Ag |

| Type | Operating Force (gf) | Height mm | Button | Leads Shape (G, J, T) | Ground pin (0, 1) | Page Option (0, 1) |
|----------|--|-----------|--------|--------------------------|-------------------|--------------------|
| BTS0C005 | 3 350±50 2 260±50 1 180±50 0 100±30 | M | 5.0 | M (Brass) P (Plastic) | G | 0 |
| | | L | 4.5 | | | |
| | | K | 4.3 | | | |
| | | J | 4.0 | | | |
| | | H | 3.5 | | | |
| | | G | 3.0 | | | |
| | | F | 2.5 | | | |
| | | E | 2.3 | | | |
| | | D | 2.0 | | | |
| | | N | 1.8 | | | |
| C | 1.7 | | | | | |
| B | 1.6 | | | | | |
| A | 1.5 | | | | | |

| X. ±0.50 | X.° ±2° | UNITS mm | 东莞市博众电气有限公司 Dongguan Bozhong Electrical Co., Ltd | | | | | | |
|--|------------|-------------|---|-------|-------|------|-----|-----|----|
| .X ±0.30 | .X° ±1° | | | | | | | | |
| .XX ±0.10 | .XX° ±0.5° | | | | | | | | |
| .XXX ±0.05 | | MAT'L | SERIES NO. BTS0C005 | | | | | | |
| THESE DRAWINGS AND SPECIFICATIONS ARE THE PROPERTY OF Bozhong TECHNOLOGY CO.,LTD. AND SHALL NOT BE REPRODUCED. | | FINISH | APPD: ROGER | | | | | | |
| | | Q'TY | CHKD: ROC | | | | | | |
| | | | DR: BILLY WANG 2020/08/21 | | | | | | |
| | | | TITLE: TACTILE SWITCH 5.2x5.2 DWG NO.: BTS0C005 | | | | | | |
| | | | <table border="1"> <tr> <th>SCALE</th> <th>SHEET</th> <th>REV.</th> </tr> <tr> <td>1/1</td> <td>1/1</td> <td>A1</td> </tr> </table> | SCALE | SHEET | REV. | 1/1 | 1/1 | A1 |
| SCALE | SHEET | REV. | | | | | | | |
| 1/1 | 1/1 | A1 | | | | | | | |