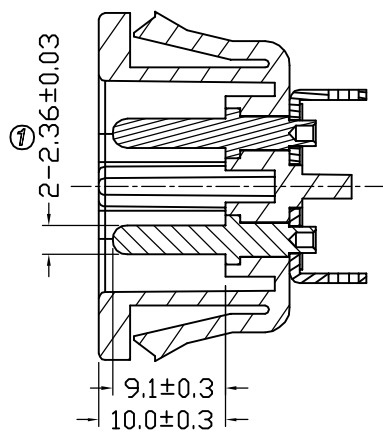
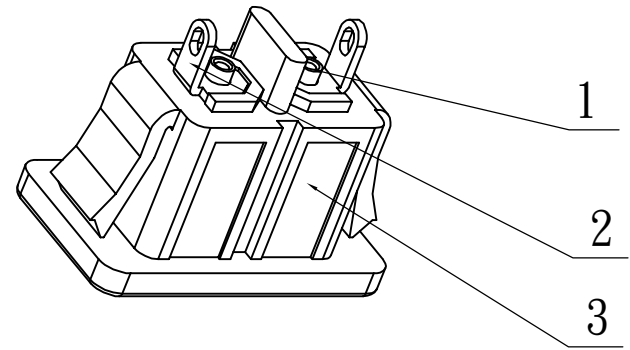
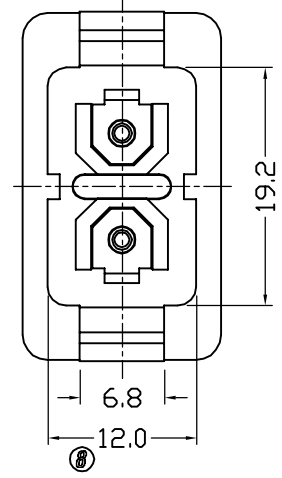
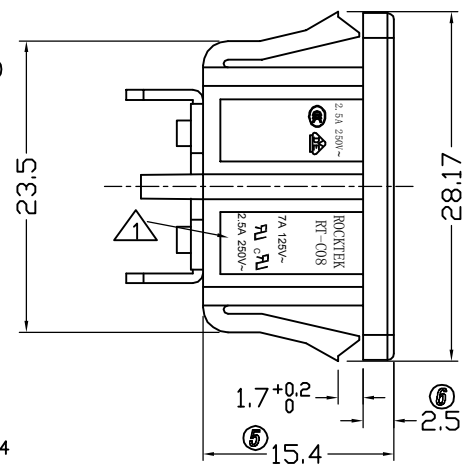
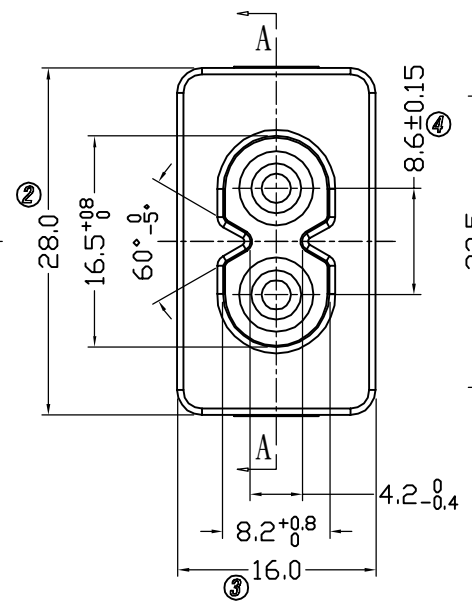


PCB. LAYOUT



SECTION A-A



- NOTES:
- Rating : 2.5A 250VAC (CCC VDE)
2.5A 250VAC 7A 125VAC (UL CUL)
 - Contact resistance : 50mΩ Max
 - Insulation resistance : >100MΩ (Min) 500VDC
 - Dielectric strength : >2000VAC 0.5mA 1 minutes

品名	颜色
RT-C08-I0-BJ	Black
RT-C08-I0-WJ	White

NO.	PART NAME	MATERIAL	Q'TY
3	BODY	PA66 94-V0 Black/White	1
2	1# terminal	C2680 1/2H Tin-plating 3~5um	2
1	1# PIN	C3602 Ni-plating 3~5um	2

NO	DESCRIPTION	NO	DESCRIPTION	DIMENSIONAL TOLERANCES		APPROVED	CHECKED	DESIGN	DRAWN	ALL SIZE ARE IN		DRAWING NO. REV.	
				RANGE	TOLERANCE					MM	FIT	DRAWING NO.	REV.
5	→	10	→	X	±0.3	东莞市六钧电子有限公司			LMC 2018.01.09	SCALE	MM	WF118007	A2
4	→	9	→	X.X	±0.2					MAT'L	***		
3	→	8	→	X.XX	±0.1					MATERIAL NO.			
2	增加颜色 21.09.25	7	→	ANGLES	±1'								
1	修改UL安规刻字 21.01.30	6	→										

