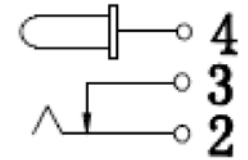
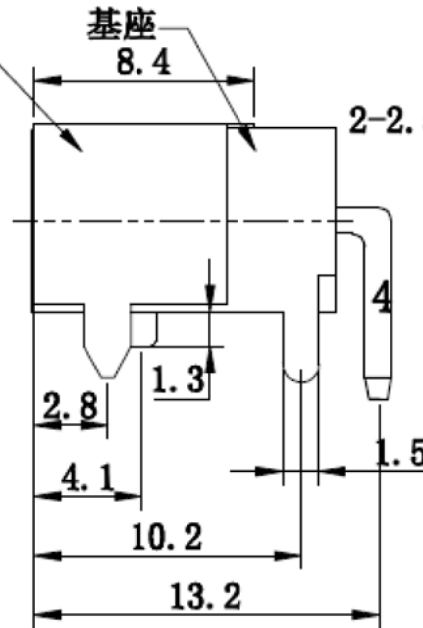
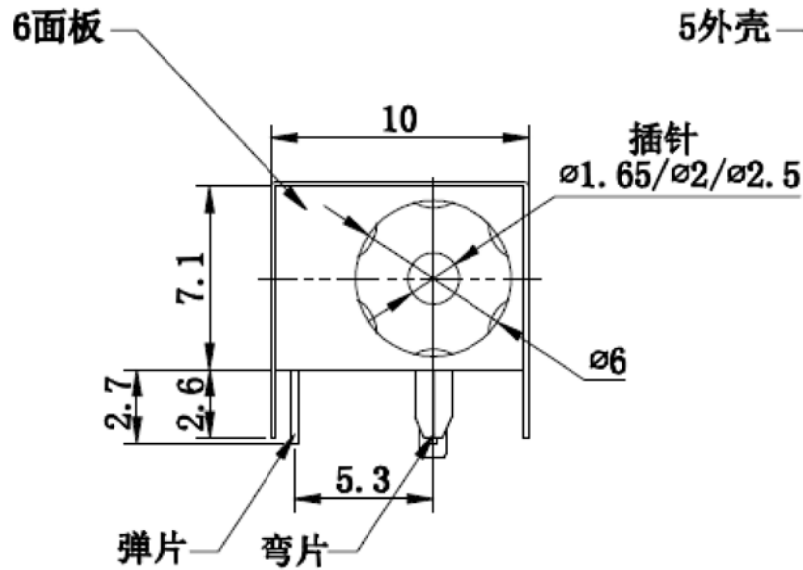
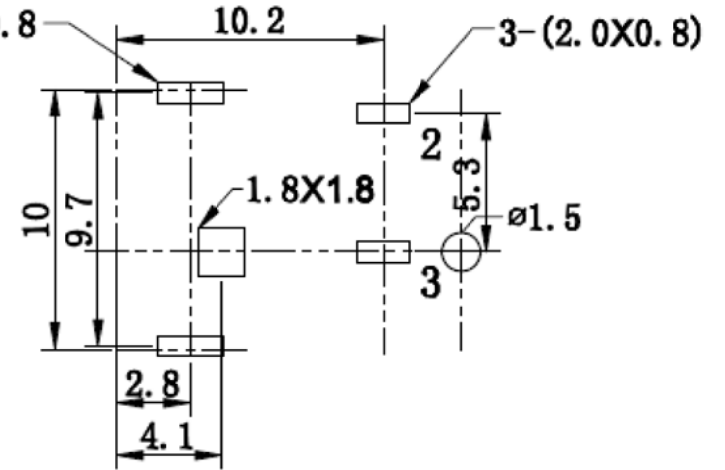


按点示意图
SCHEMATIC



线路板开孔尺寸
P.C.B LAYOUT



					TOLERANCE UNLESS SPECIFIED									
					UP TO 5mm: ±0.1	ANGULAR	1							
					ABOVE 5mm: ±0.2	±1°	NO	DATE	REVISIONS		BY	APPD		
6	面板	BRASS	1	SN-PLATED	TITLE: DC JACK			UNIT : MM	ROHS COMPLIANT	DWN				
5	外壳	BRASS	1	SN-PLATED	MODEL: DC-044K-2.5			SCALE: 1:1	CHK'D					
4	插针	BRASS	1	SN-PLATED	HAOYU(HONGKONG)LIMITED 皓宇(香港)有限公司							APPD		
3	弯片	BRASS	1	SN-PLATED								PRO.AGL:		REV :A0
2	弹片	PBS	1	SN-PLATED										
1	基座	PBT	1	BLACK										
NO.	PART NAME	MATERIAL	QTY	FINISHING										