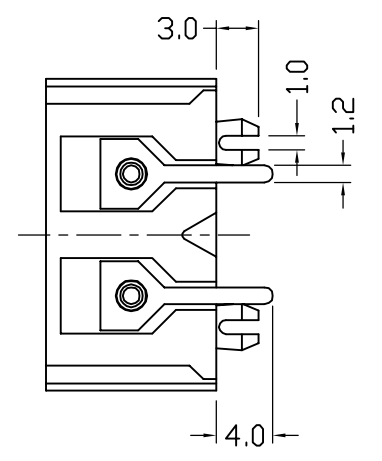
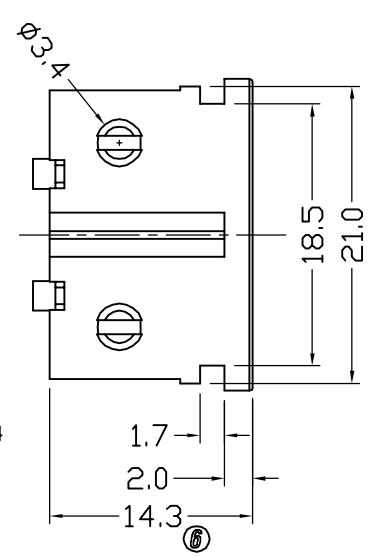
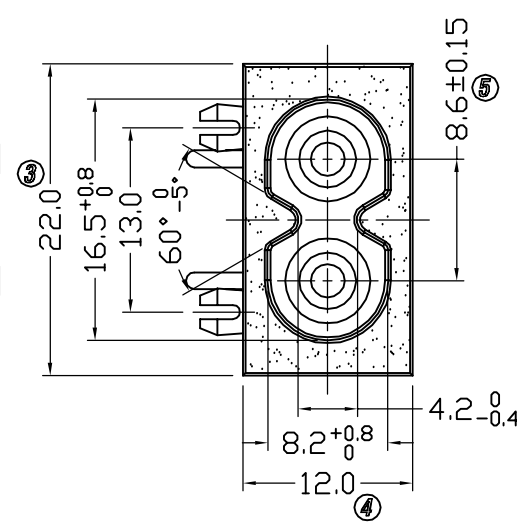
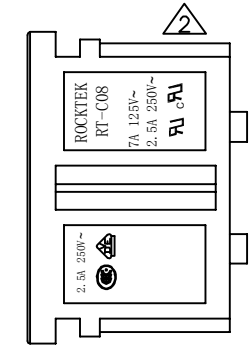
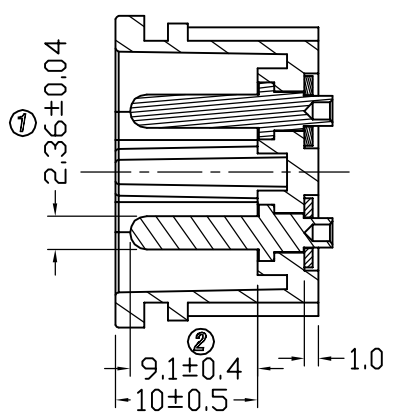
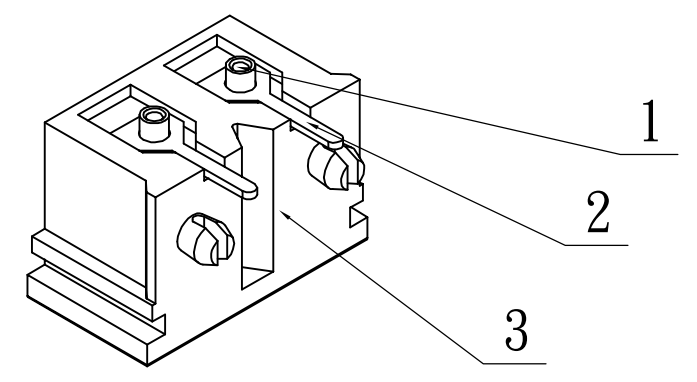
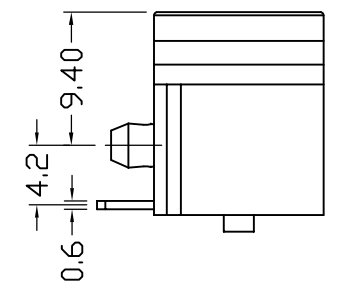


PCB. LAYOUT



NOTES:
 1. Rating : 2.5A 250VAC CCC VDE
 2.5A 250VAC UL CUL
 7A 125VAC UL CUL
 2. Contact resistance : 50mΩ Max
 3. Insulation resistance : >100MΩ (Min) 500VDC
 4. Dielectric strength : >2000VAC 0.5mA 1 minutes

品名	颜色
RT-C08-F2-BH	黑色
RT-C08-F2-WH	白色
RT-C08-F2-GH	绿色

NO.	PART NAME	MATERIAL	Q'TY
3	BODY	PA66 UL94V-0 Black & White	1
2	1# terminal	C2680 1/2H Tin-plating 3~5 μm	2
1	1# PIN	C3602 Ni-plating 3~5 μm	2

A	DIMENSIONAL TOLERANCES		APPROVED	CHECKED	DESIGN	DRAWN	ALL SIZE ARE IN		DRAWING NO.	REV.	
	RANGE	TOLERANCE					SCALE	MM			FIT
5	→					LMC 2017.06.14			RT-C08-F2-*H	WIF117004	A2
4	→										
3	→	X	±0.3								
2	修改UL安规刻字 21.01.30	X.X	±0.2								
1	增加绿色	X.XX	±0.1								
NO	DESCRIPTION	NO	DESCRIPTION	ANGLES	±1'						