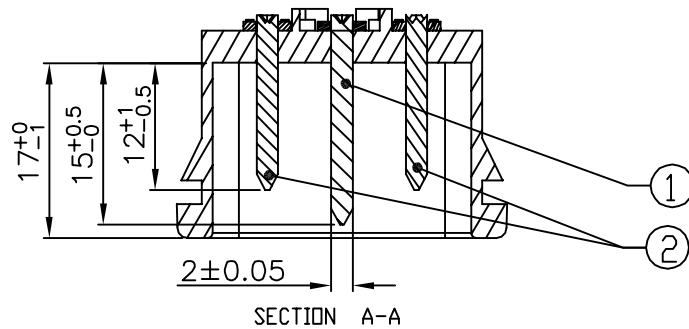
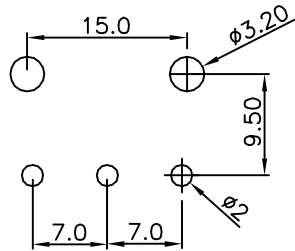
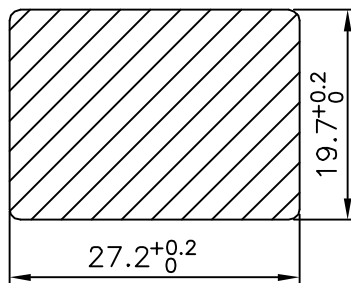
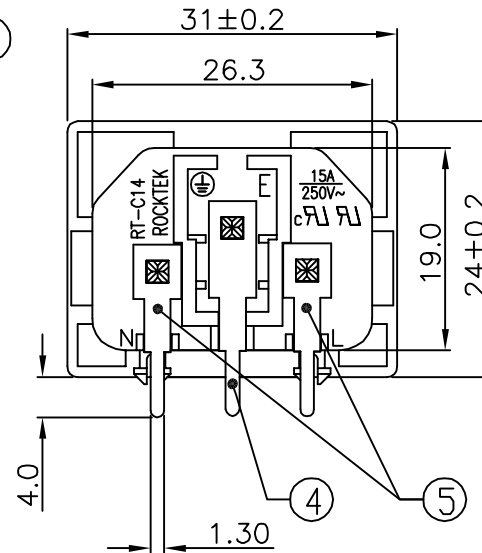
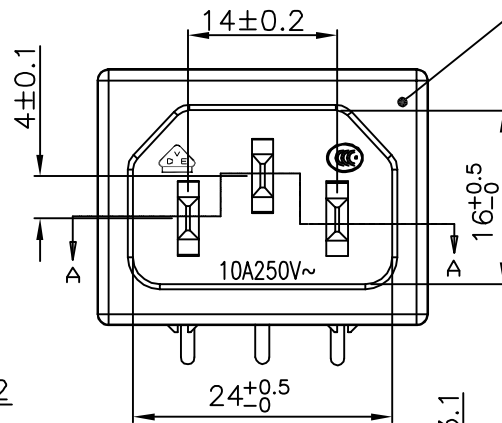
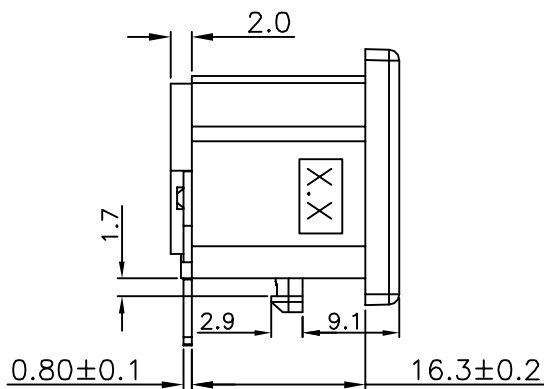


P.C.B. HOLE DETAIL



NOTES:

- Electrical rating : 10A 250VAC VDE CCC
15A 250VAC UL CUL
- Insulation resistance : >100MΩ Min 500VDC
- Dielectric strength : >1500V 1 minute



Panel cutout

*	卡榫厚度 X.X
1.0	1.0
1.5	1.5
2.0	2.0

5	TERMINAL	Copper alloy	2
4	TERMINAL	Copper alloy	1
3	BODY	PC/NY	1
2	PIN 2#	Copper alloy	2
1	PIN 1#	Copper alloy	1
NO.	PART NAME	MATERIAL	Q'TY

NO	DESCRIPTION	NO	DESCRIPTION	ANGLES	±0.5°
5	→	10	→	DIMENSIONAL TOLERANCES	APPROVED
4	→	9	→	RANGE	CHECKED
3	→	8	→	X	DESIGN
2	→	7	→	X.X	DRAWN
1	→	6	→	X.XX	±0.1
NO	DESCRIPTION	NO	DESCRIPTION	ANGLES	±0.5°

APPROVED	CHECKED	DESIGN	DRAWN	ALL SIZE ARE IN	MM
			TXY	SCALE	FIT
				MAT'L	***
				MATERIAL NO.	DRAWING NO.
				RT-C14-B20B-JJ	*****

		DRAWING NO.		REV
		*****		A

东莞市六钧电子有限公司