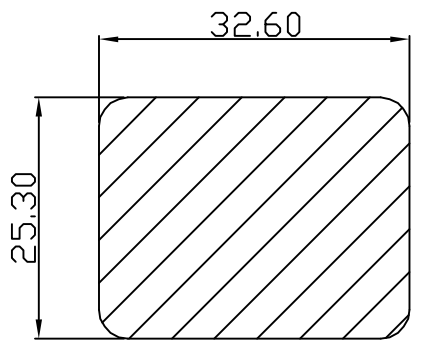


Panel cut out(Thickness:1.8~3.0mm)



PLANE CUTOUT

PART NAME	Color	
RT-C03-A-4.8	黑色	
RT-C03-R-4.8	紅色	
RT-C03-L-4.8	藍色	
RT-C03-G-4.8	綠色361	△2
RT-C03-G1-4.8	綠色355C	△5
RT-C03-A-4.8N	黑色(鍍鎳)	△4
RT-C03-Y1-4.8	黃色(不透明)	△5
RT-C03-Y1-4.8 D	黃色(不透明)+印字	△7
RT-C03-R2-4.8	胭脂紅(不透明)	△7

ITEM	DESCRIPTION	SPECIFICATION	Q'TY
2	TERMINAL	SOLDERING PIN FINISHING Tin-plated	3
1	BODY	BODY INSULATOR PC BLACK	1

NO	DESCRIPTION	NO	DESCRIPTION	ANGLES	TOLERANCES	APPROVED	CHECKED	DESIGN	DRAWN	ALL SIZE ARE IN	MM			
5	增加料號	10	→	DIMENSIONAL	TOLERANCES					SCALE	FIT			
4	增加料號	9	→	RANGE	TOLERANCE					MAT'L				
3	取消北歐四國安規	8	修改默认公差	X	±0.3			LMC	Yale	MATERIAL NO.				
2	Add color	7	增加料號	X.X	±0.2					DRAWING NO.				
1	Update drawing	6	增加建议卡榫厚度	X.XX	±0.1					REV.				
NO	DESCRIPTION	NO	DESCRIPTION	ANGLES	±0.5°	ROCK TEK ELECTRICAL(SHENZHEN) CO.,LTD.				RT-C03-* -4.8*	WIF106014	D4		