

# Specifications

备注 (Remark)

1. 材料 (MATERIAL)

胶芯: PA6T+30%G.F UL94V-0, 颜色: 黑色.

Housing: PA6T+30%G.F UL94V-0, Color: Black

四方针: 黄铜, 镍底30u", 表面镀金0.8u"

Contact: Brass, 0.8u" GOLD PLATING OVER ALL  
30u" NICKEL UNDERPLATING OVER ALL

2. 特性 (characteristics):

额定电流: 3 AMP

Rating Current: 3 AMP.

接触阻抗: 20 mΩ MAX.

Contact Resistance: 20 mΩ MAX.

绝缘阻抗: 1000 MΩ MIN.

Insulating Resistance: 1000 MΩ MIN.

耐电压: AC 500V/分钟.

Withstanding Voltage: AC 500V/Minute.

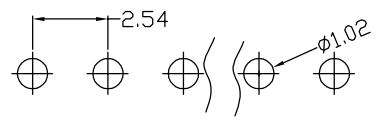
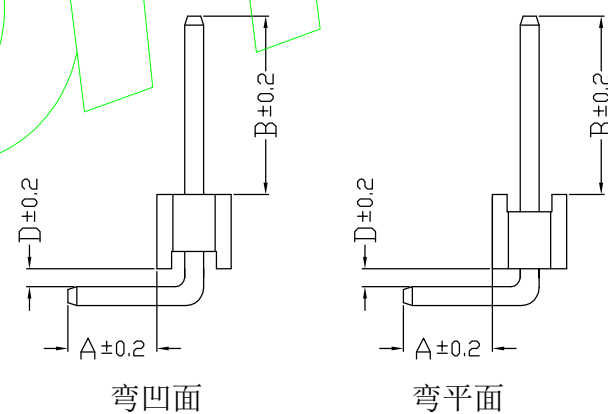
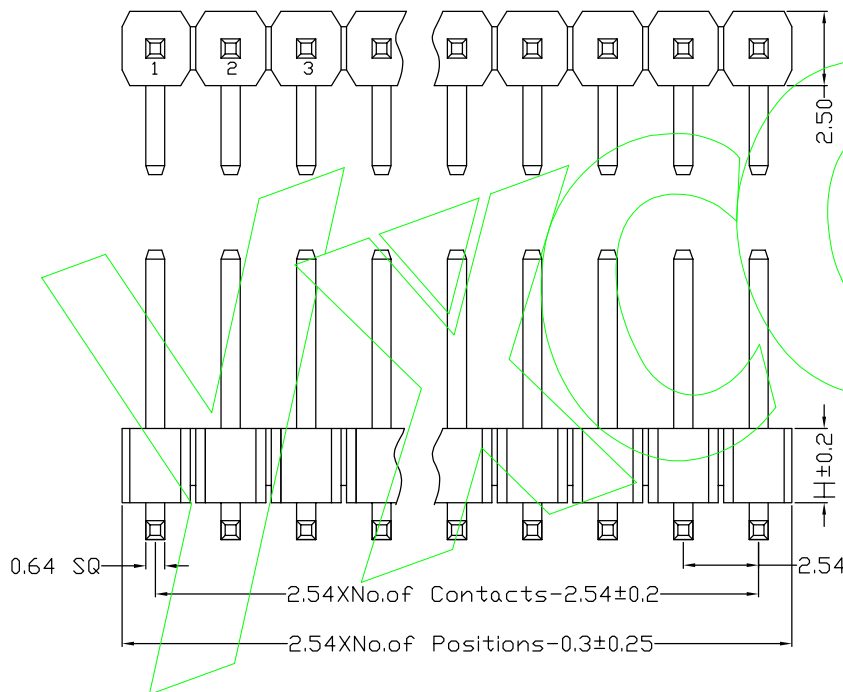
温度范围: -40° C to +105° C

Temperature Range: -40° C to +105° C

# Ordering Information

P1XX-11 XX XX X R XXX X 1

HEIGHT OF HOUSING	NO. OF PINS PER ROW	Contact Full of Gold	Plating Semi-gold	INSULATOR MATERIAL	LENGTH OF TERMINAL	PACKING
15: 1.5mm	1~40P	A0=0.8u"	B0=0.8u"	A: PBT		A: PE Bag
17: 1.7mm		A1=1u"	B1=1u"	B: PA6T		C: Tube
20: 2.0mm		A2=1.5u"	B2=1.5u"	C: PA9T		D: Tube+CAP
25: 2.54mm		A3=2u"	B3=2u"	D: LCP		E: Tray
		A4=3u"	B4=3u"			
		A5=5u"	B5=5u"			
		A6=10u"	B6=10u"			
		A7=15u"	B7=15u"			
		A8=20u"	B8=20u"			
		A9=30u"	B9=30u"			
		S1=Ordinary Tin Plated				
		S2=Matte Tin Plated				
		S3=Tin-plated High-temperature				



Recommended P.C.B LAYOUT  
General Tolerance ±0.05

ITEM	A	B	H			D	
Standard	2.6	6.0	1.5	1.7	2.0	2.54	3.0
Alternate							

REV	DATE	SYMBOL	MODIFICATION DESCRIPTION	OPERATION		SCALE		Fit		Yxcon 东莞市宇熙精密连接器有限公司 www.yxcon.com Dongguan Yuxi Electronic Co.,Ltd.	PART NO	P1XX-11XXXXXXX1
				X.X	±0.25	UNIT	MM	DESIGN	周芳杰 2021.6.18			
				X.XX	±0.20	SIZE	A4	CHECK				
				X.XXX	±0.10	SHEET	1/1	APPROVE				
				Angle	±3°	PROJ.	☉					
				DIM	TOL							

由 Autodesk 教育版产品制作