

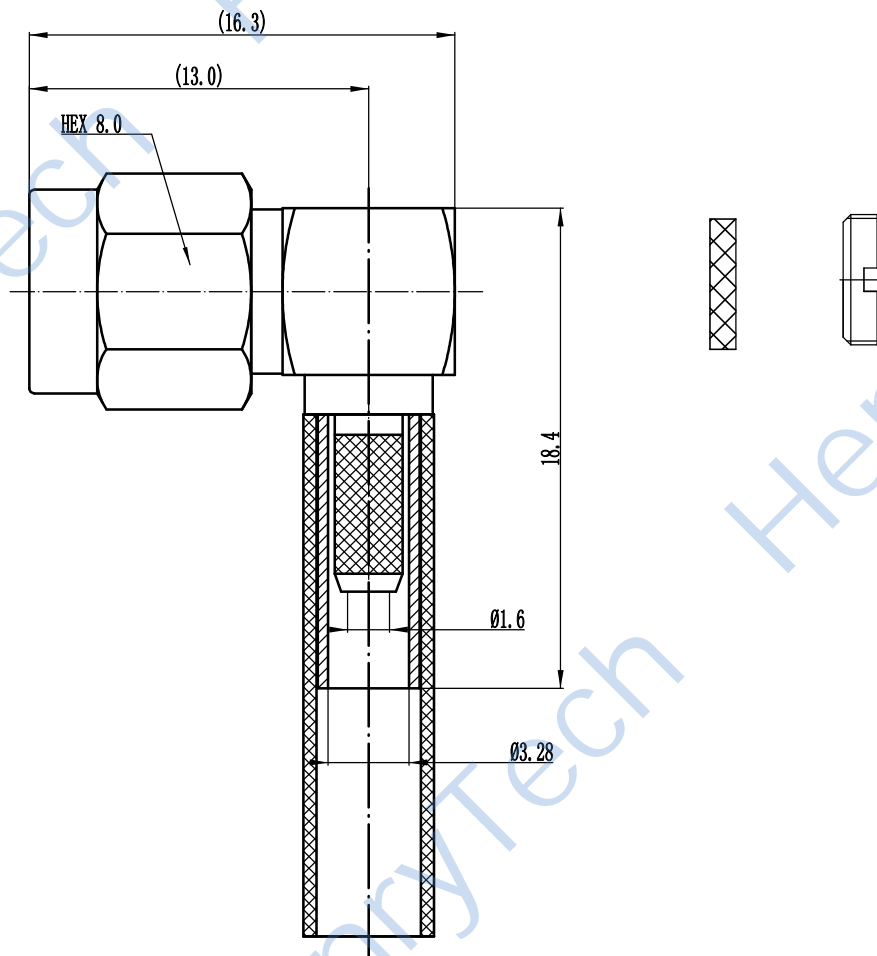
This document contains proprietary information and such information may not be disclosed to others for any purposes,  
not used for sales/marketing/procurement purposes without written permission

REV	DESCRIPTION OF REVISION	ECN NO.	BY	DATE	APPROVED
A	Initial Release	—	H.wei	12/7/13	12/7/13

- 1 Electrical**
- 1.1 Impedance 50 Ω
  - 1.2 Dielectric withstanding voltage 1000V(volts RMS)
  - 1.3 Center contact resistance  $\leq 3M\Omega$
  - 1.4 Outer contact resistance  $\leq 2M\Omega$
  - 1.5 Insulation resistance:  $\geq 5000M\Omega$
  - 1.6 Frequency 0~3Ghz

- 2 Environmental&Mechanical**
- 2.1 Temperature range -45℃~125℃
  - 2.2 RoHs Compliant
  - 2.3 Durability >500 cycles

- 3 Materials&plating**
- 3.1 Body: Brass, Gold Plated
  - 3.2 Insulator: Teflon
  - 3.3 Contact Pin: Brass, Gold Plated
  - 3.4 Washer: Phosphor, Gold Plated
  - 3.5 Hex Nut: Brass, Gold Plated



Tel:Lee +86-28-85589664

Web:www.hltchips.com

**Notes:**

- 1. ALL SPECIFICATIONS ARE SUBJECT TO CHANGE NOTICE AT ANY TIME
- 2. CUSTOMER OUTLINE DRAWING FOR REFERENCE ONLY

<b>DRAWN:</b> H.wei 12/07/13	<b>TITLE:</b> RF Coaxial Connector SMA Male R/A Conn. For RG316
<b>ENGINEER:</b> L.yu 12/07/13	
<b>APPROVED:</b> W.yi 12/07/13	
<b>TOLERANCES UNLESS OTHERWISE SPECIFIED</b>	
X	±0.50
.X	±0.20
.XX	±0.10
ANGLES	±1°
<b>PART NO:</b> HL-SMA-JW3F	



DIMENSION IN MILLIMETERS (mm)			
<b>SIZE:</b> A4	<b>SCALE:</b> N/A	<b>SHEET:</b> 1/1	<b>REV:</b> A