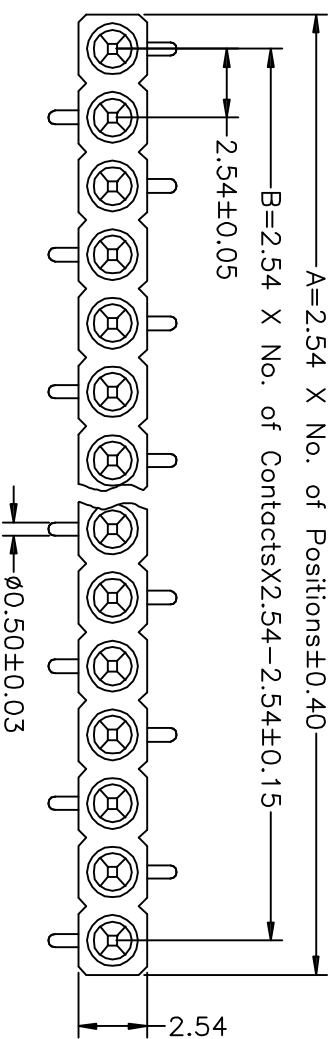
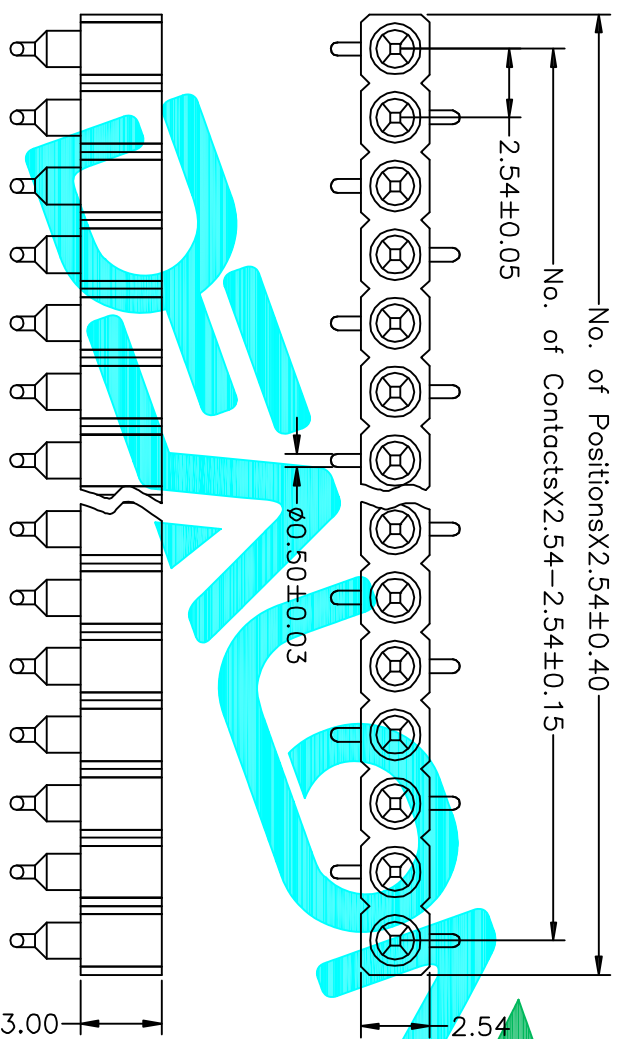


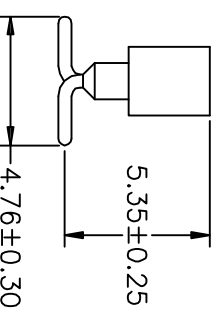
# Technical Data



Type 2



Type 1



**Material:**

Pin(outer sleeve): Brass-machined CuZn38Pb2  
 Clip(contact 4 finger): Beryllium Copper;heat treated  
 Plating(outer sleeve):  
 Tin plated: 2 m/80 "Ni, 5 m/200 "Sn  
 Gold Plated: 2 m/80 "Ni,Full gold  
 Plating(contact): 2 m/80 "Ni, gold or Tin plated  
 Insulator(black): Glass filled thermoplastic Polyester  
 UL94V-0

**Electrical:**

Current rating: 3 Amps/contact max.  
 Contact resistance: ≤4mΩ/contact  
 Insulation resistance: 1000MΩ at V=100V  
 Operating voltage: 60V AC/DC

**Mechanical:**

Average insertion force with steel pin of  
 1.0.43mm/0.17": <250g  
 Average withdrawal force with steel pin of  
 1.0.43mm/0.17": >50g min.  
 Mechanical life cycle:min.200  
 Operating temperatures: Gold Plated:-55°C to+105°C  
 Tin plated:-40°C to+105°C

APPROVALS		DATE	TITLE:	
DRAWN	G.M.Chen	2014/11/26	ELECTRONICS CO.,LTD	
CHECKED			CONNECTOR	
APPROVALS			PART NO.	MW254S-11-XX-7X
DRAWN		DATE	UNIT:	SCALE: 1:1
CHECKED			DRAWING NO.	SHEET 1 OF 1
APPROVALS				PROJ.
APPROVALS				
APPROVALS				
APPROVALS				
APPROVALS				
ECN NO.	REV.	DATE.	DESCRIPTION.	CHANGE.
	A		NEW	



PART NO. MW254S-11-XX-7X

UNIT: mm SCALE: 1:1 SHEET 1 OF 1

DRAWING NO. PROJ.

PROJ.

PROJ.