

This document contains proprietary information and such information may not be disclosed to others for any purposes, not used for sales/marketing/procurement purposes without written permission

REV	DESCRIPTION OF REVISION	ECN NO.	BY	DATE	APPROVED
A	Initial Release	—	H.wei	23/5/07	23/5/07

1 Electrical

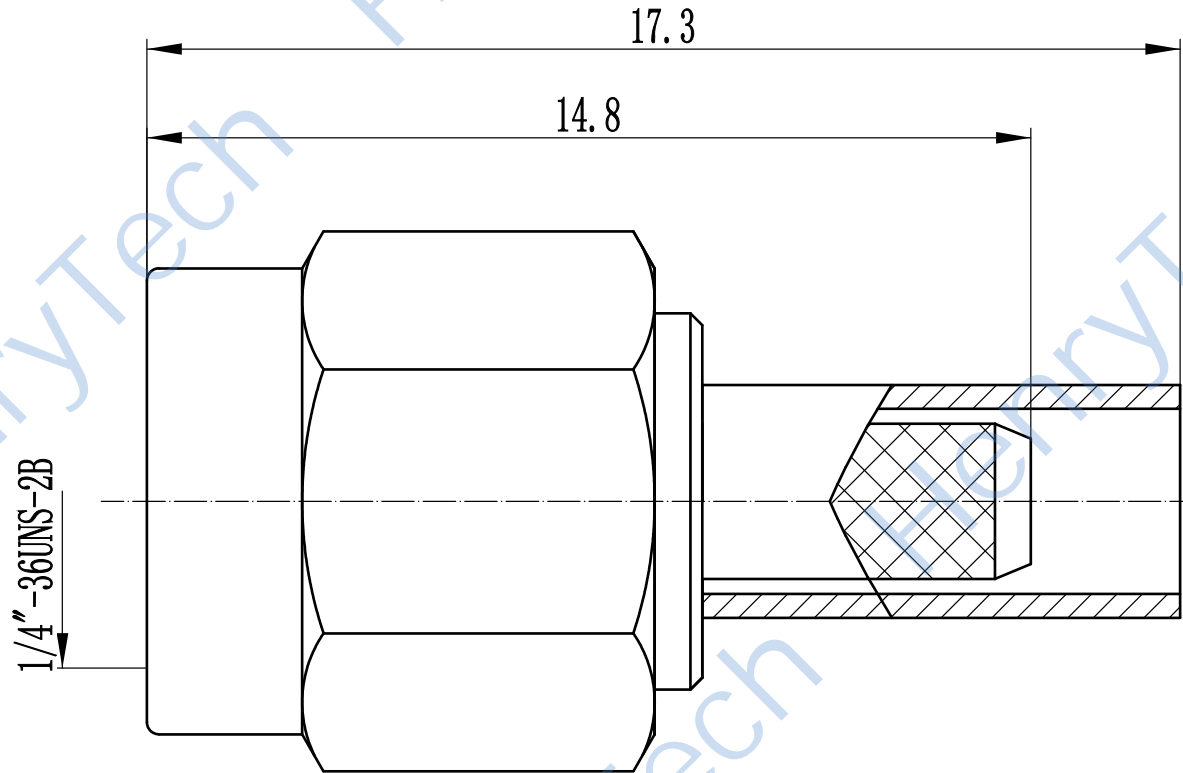
- 1.1 Impedence 50 Ω
- 1.2 Frequency DC~6GHz
- 1.3 Dielectric withstanding voltage 1000V(volts RMS)
- 1.4 Center contact resistance $\leq 3M\Omega$
- 1.5 Outer contact resistance $\leq 2M\Omega$
- 1.6 Insulation resistance: $\geq 5000M\Omega$

2 Environmental&Mechanical

- 2.1 Temperature range -40℃~+70℃
- 2.2 RoHs Compliant
- 2.3 Durability >500 cycles

3 Materials&plating

- 3.1 Body: Brass; Gold plated
- 3.2 Insulator: Teflon
- 3.3 Contact Pin: Brass, Gold plated
- 3.4 Nut: Brass;Gold Plated
- 3.5 Gasket: Silicon Rubber (red color)
- 3.6 Ferrule: Copper, Nickel plated



Tel:Lee +86-28-85589664
Web:www.hltchips.com

Notes:

- 1. ALL SPECIFICATIONS ARE SUBJECT TO CHANGE NOTICE AT ANY TIME
- 2. CUSTOMER OUTLINE DRAWING FOR REFERENCE ONLY

DRAWN : H.wei 23/5/07 ENGINEER: L.yu 23/5/07 APPROVED : W.yi 23/5/07	TITLE: RF Coaxial Connector SMA Male Str. Conn. for Cable RG174/RG316/LMR100	
TOLERANCES UNLESS OTHERWISE SPECIFIED X ±0.50 .X ±0.20 .XX ±0.10 ANGLES ±1°	PART NO: HL-SMA-J3F	DIMENSION IN MILLIMETERS (mm)
	SIZE: A4 SCALE: N/A SHEET: 1/1 REV: A	