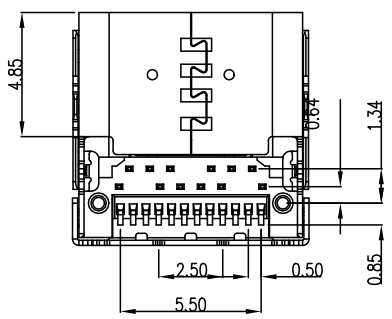
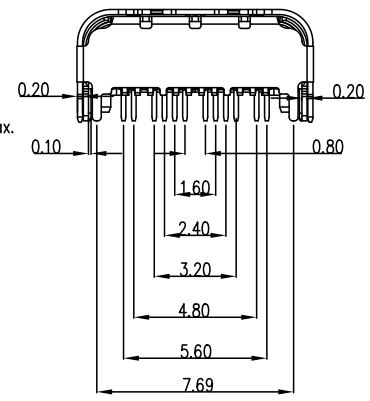
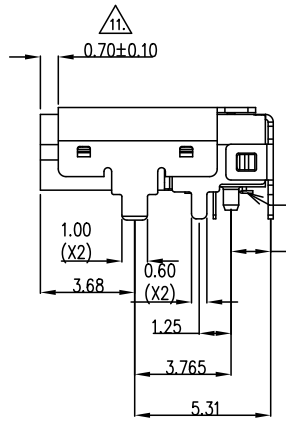
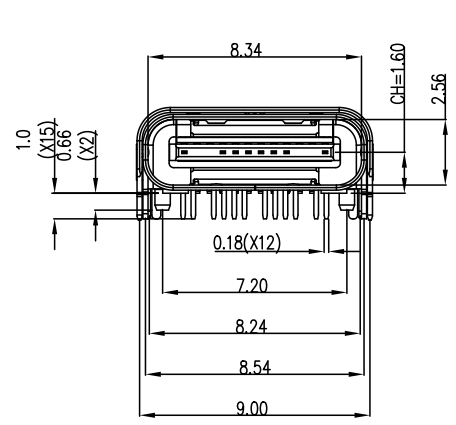
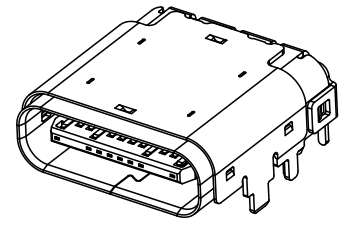
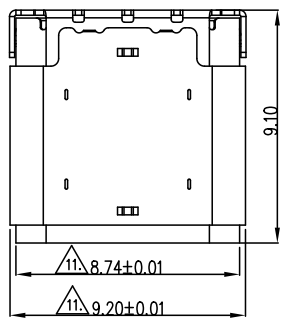


REVISION RECORD		
REV	DESCRIPTION	DRFT
A	A RELEASE	LYNN 09/21/15
B	CORRECT DIMENSION	RICKY 05/24/17
C	ADD MATERIAL INFORMATION	RICKY 10/23/18
D	ADD PIN NOTATION	KYLIN 02/12/19



**NOTES:**

**MATERIAL:**

1. TERMINAL RAW MATERIAL: C18400  
PLATING: AU 0.8U" MIN ON CONTACT AREA
2. PLASTIC: LCP1301, UL 94 V\_0, (E106764)

**ELECTRICAL CHARACTERISTICS:**

1. LOW LEVEL CONTACT RESISTANCE:  
INITIAL: 40m Ω  
AFTER : 10m Ω FOR ALL CONTACT MAX.  
Ω MAX. CHANGE.
2. DIELECTRIC WITHSTANDING VOLTAGE:  
100 VAC FOR 1 MINUTE SEA LEVEL.
3. INSULATION RESISTANCE:  
100M Ω MIN.
4. CURRENT RATING:  
VBUS AND GND CONTACTS RATED AT 1.25A EA.  
PARALLELED FOR A TOTAL OF 5A

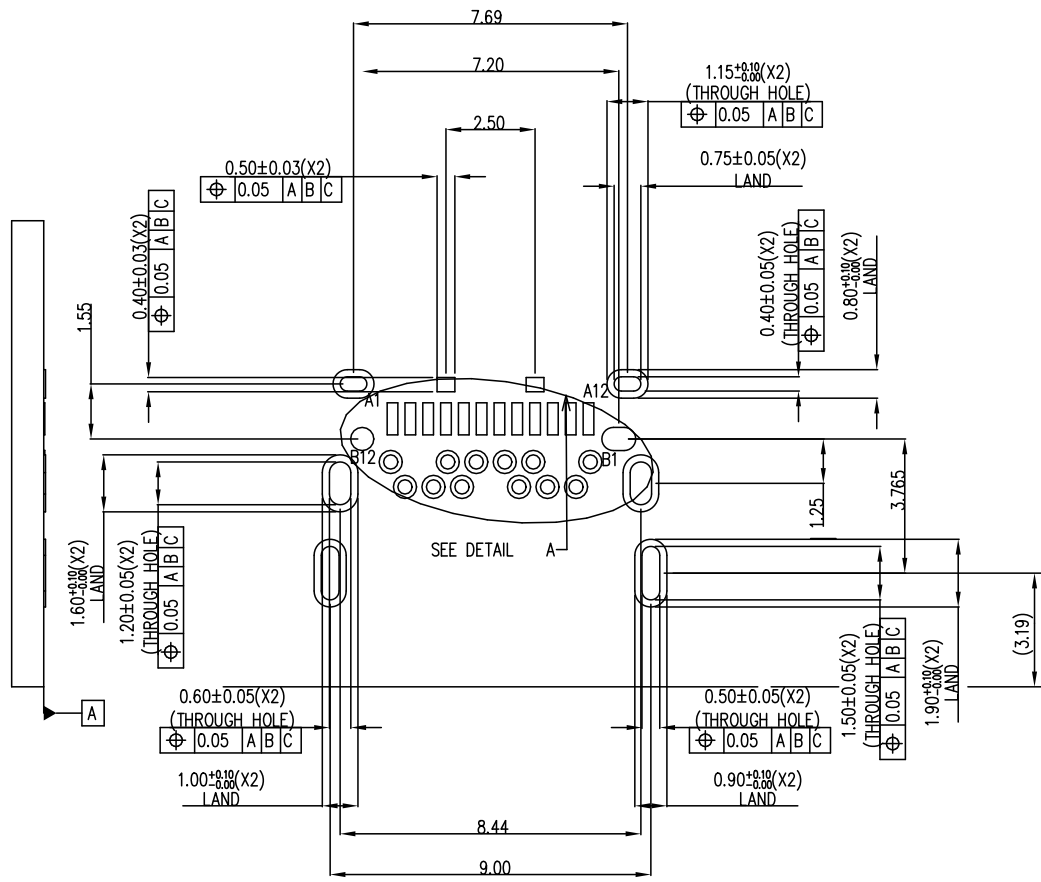
**MECHANICAL CHARACTERISTICS:**

1. INSERTION FORCE: 20N MAX
2. EXTRACTION FORCE 1-1000 CYCLES 8N MIN. 20N MAX.  
EXTRACTION FORCE 1001-10000 CYCLES 6N MIN. 20N MAX.
3. DURABILITY : 10,000 CYCLES
4. PLATING OF CONTACT:  
GOLD FLASH ON CONTACT AREA.
5. OPERATING TEMPERATURE: -55°C TO +85°C

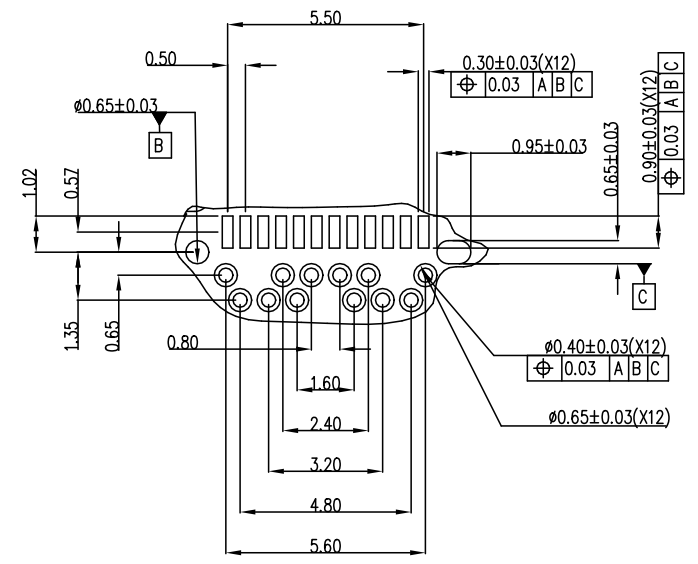
PIN NO.	A1	A2	A3	A4	A5	A6	A7	A8	A9	A10	A11	A12
SIGNAL NAME	GND	SSTXp1	SSTXn1	VBUS	CC1	Dp1	Dn1	SBU1	VBUS	SSRXn2	SSRXp2	GND
PIN NO.	B12	B11	B10	B9	B8	B7	B6	B5	B4	B3	B2	B1
SIGNAL NAME	GND	SSRXp1	SSRXn1	VBUS	SBU2	Dn1	Dp1	CC2	VBUS	SSTXn2	SSTXp2	GND

← MM (INCH) →		RoHS Compliant		Pulse Electronics	
TOLERANCES EXCEPT AS NOTED					
MM					
.0 ± 0.25					
.00 ± 0.20					
.000 ± 0.10					
ANGLES ± 1°		DFTO : LYNN		DRAWING NO. CE8124-015-01	
THIRD ANGLE PROJECTION		DATE : 09/21/2015		/PART NO. E8124-015-01	
		SCALE : 1:1		DO NOT SCALE DRAWING	
				SHEET 1 OF 2	

REVISION RECORD		
REV	DESCRIPTION	DRFT
A	A RELEASE	LYNN 09/21/15
B	CORRECT DIMENSION	RICKY 05/24/17
C	ADD MATERIAL INFORMATION	RICKY 10/23/18
D	ADD PIN NOTATION	KYLIN 02/12/19



RECOMMENDED PCB LAYOUT  
THICKNESS IS 0.9mm  
TOLERANCE ± 0.05



DETAIL A  
SCALE 7:1

		RoHS Compliant			
TOLERANCES EXCEPT AS NOTED					
MM .0 ± 0.25 ± .00 ± 0.20 ± .000 ± 0.10 ±		TITLE USB TYPE - C CONN RECEPTACLE - TOP MOUNT TYPE			
ANGLES ± 1° 		DFTO : LYNN DATE : 09/21/2015		DRAWING NO. CE8124-015-01 /PART NO. E8124-015-01	
THIRD ANGLE PROJECTION		SCALE : 1:1		SIZE A3 REV D	
DO NOT SCALE DRAWING				SHEET 2 OF 2	

# Mouser Electronics

Authorized Distributor

Click to View Pricing, Inventory, Delivery & Lifecycle Information:

Pulse:

[E8124-015-01](#)