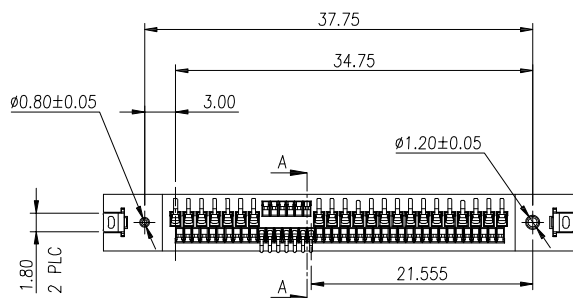
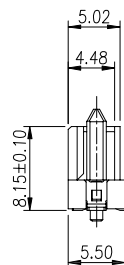
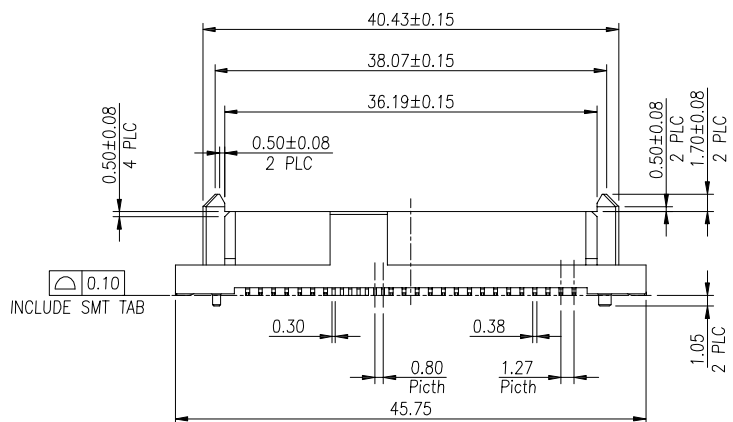


SECTION A-A  
SCALE 2:1

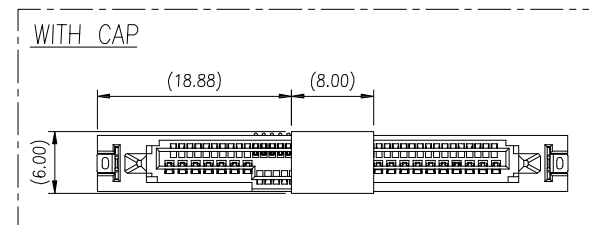


NOTE:

- MATERIAL :  
HOUSING: HIGH TEMPERATURE, THERMOPLASTIC, UL94 V-0, COLOR: BLACK.  
CAP: HIGH TEMPERATURE, THERMOPLASTIC, UL94 V-0, COLOR: BLACK.  
TERMINAL: COPPER ALLOY  
FORKLOCK: COPPER ALLOY
- FINISH :  
CONTACT: 15u" AU PLATING ON THE CONTACT AREA  
100u" MIN TIN PLATING ON THE SOLDERING AREA  
50u" MIN NICKEL UNDERPLATING OVERALL  
FORKLOCK: 100u" MIN TIN PLATING OVERALL  
50u" MIN NICKEL UNDERPLATING OVERALL
- ELECTRONICAL SPECIFICATION:  
CURRENT RATING: 1.5 AMPERE PER CONTACT  
CONTACT RESISTANCE: 30 MILLIOHMS MAX.  
INSULATION RESISTANCE: 1000 MEGOHMS MIN.  
DIELEDTRIC WITHSTANDING VOLTAGE: 500 VAC.  
OPERATING TEMPERATURE: -25°C~+85°C

PART NO.:

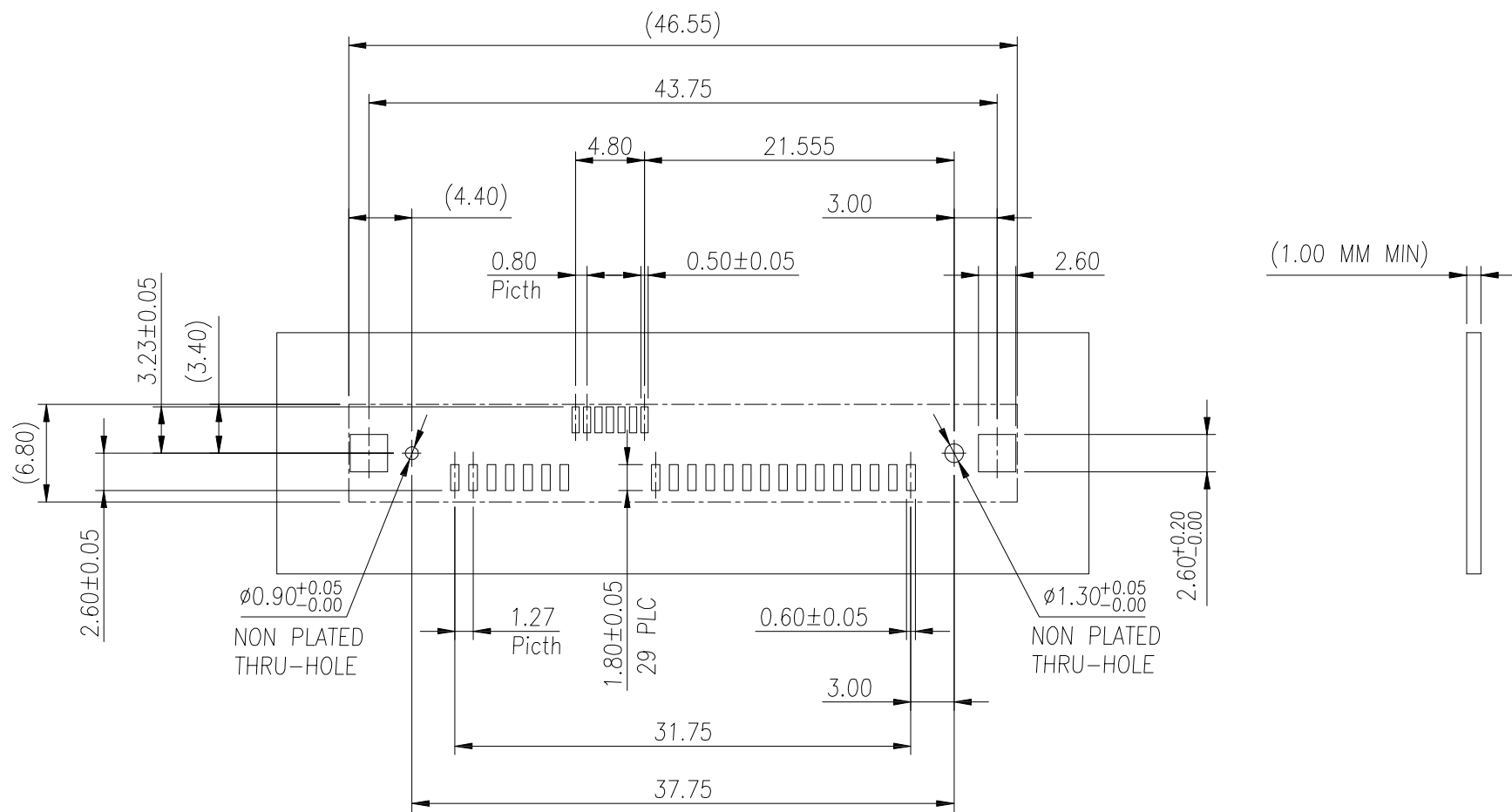
91908-29 XX 1 X  
 No. of POS | | PACKING  
 29: 29P | | 1:TUBE  
 | | 2:TAPE & REEL WITH CAP  
 | | CONTACT AREA PLATING  
 | | 01: 1u" GOLD  
 | | 15: 15u" GOLD  
 | | 30: 30u" GOLD



TOLERANCE		UMax 东莞市友贸实业有限公司 conn DONGGUAN UMAXCONN ENTERPRISE LIMITED
LINEAR	ANGLES	
X.±0.30	X°.±	APPD: Jason MAT'L: CHKD: Schumi FINISH: DRWN: Huang yaojun Q'TY:
.X±0.20	.X°.±	
.XX±0.15	.XX°.±	
.XXX±	.XXX°.±	

TITLE: 24G SAS CONNECTOR, 29 PIN, RECEPTACLE, VERTICAL, SMT, FLAT FORKLOCK				
PART NO.		91908-29XX1X		
DWG NO.		C-91908		
UNITS	SCALE	SHEET	REV	CUSTOMER

1	---	Huang yaojun	Sep,26,2023
0	---	Huang yaojun	Jun,21,2023
REV	ECN NO.	NAME	DATE



REV	See Sheet1	ECN NO.	NAME	DATE
-----	------------	---------	------	------

TOLERANCE	
LINEAR	ANGLES
X $\pm$ 0.30	X $^{\circ}$ $\pm$
.X $\pm$ 0.20	.X $^{\circ}$ $\pm$
.XX $\pm$ 0.15	.XX $^{\circ}$ $\pm$
.XXX $\pm$	.XXX $^{\circ}$ $\pm$

**UMax** 东莞市友贸实业有限公司  
**conn** DONGGUAN UMAXCONN ENTERPRISE LIMITED

APPD: Jason      MAT'L:  
 CHKD: Schumi      FINISH:  
 DRWN: Huang yaojun      Q'TY:

TITLE: 24G SAS CONNECTOR, 29 PIN, RECEPTACLE, VERTICAL, SMT, FLAT FORKLICK

PART NO. 91908-29XX1X

DWG NO. C-91908

	UNITS	SCALE	SHEET	REV
	MM	1 : 1	1 OF 2	1