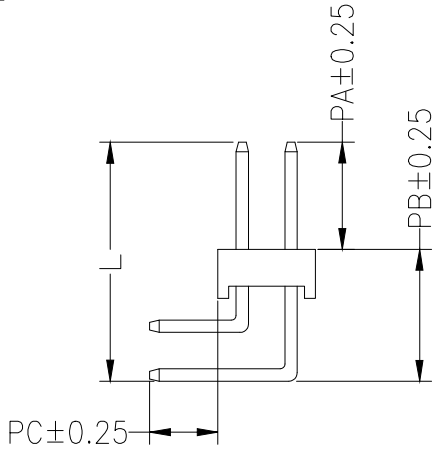
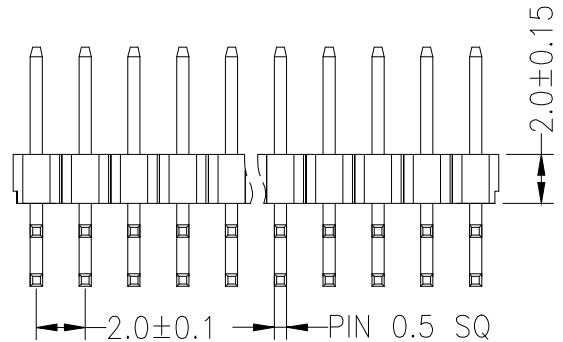
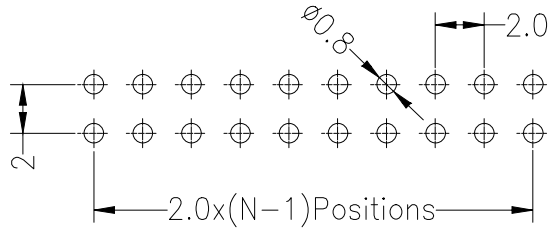


Recommended P.C.B Layout(Top Side)
(PCB BOARD TOLERANCE±0.05)



SPECIFICATIONS

Rated Current:1.5AMP
Contact Resistance:20mΩ Max
Withstand Voltage:500V AC/DC
Insulation Resistance:1000MΩ Min
Operation Temperature:-40°c to +105°c

Contact Material:Brass
Contact Plating:Au or Sn Over Ni
Insulator Material:Polyester(UL94V-0)
Standard: PA6T
Max.Processing Temp: 230°C for 30-60 seconds
(260°C for 5 seconds)

Dimension antitheses list				
ITEM	PA	PB	PC	L
Standard	4.00	5.40	2.80	9.40
Alternate				

Ordering Information

PZ 200 - * - N - W - * - **

No.of Rows 1=Single Row 2=Dual Row	No.of Pins 02-40Pin	Type 2-直针 4-弯针 5-沉针 WS-埋针	Length (产品型高)	Contact Plating G0:Gold Flash G1:0.8u" Gold G2:3u" Gold G3:5u" Gold G4:10u" Gold G5:15u" Gold G6:30u" Gold S0:Gold Flash/Tin S1:Tin
--	------------------------	---------------------------------------	------------------	--

			GENERL TOLERANCE DIM TOL X.X ±0.30 X.XX ±0.20 X.XXX ±0.10 Angle ±3.0°		制图 DRAWING 审核 CHECK 批准 APPROVAL 比例 SCALE 投影 Projection							
								深圳市华灿天禄电子有限公司 ShenzhenhuacantianluELECTRONICS CO.,LTD				
					产品名称 TITLE 2.0双排 弯排针(塑高2.0)		版本 REV. 		单位 UNITS mm		A	
1			初版发行		产品料号 PART NO. PZ200-2-N-W-2.0-G1		单位 UNITS mm		页次 SHEET 1/1			
序号 No.	变更内容 MODIFY CONTENT	日期 MODIFY DATE			材料 MATERIAL							