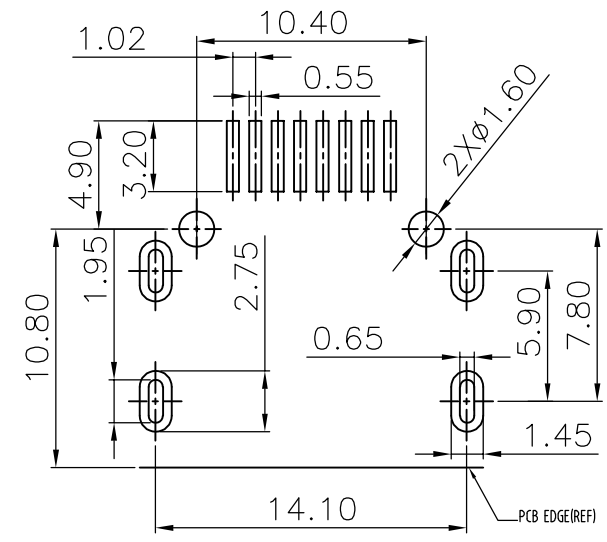
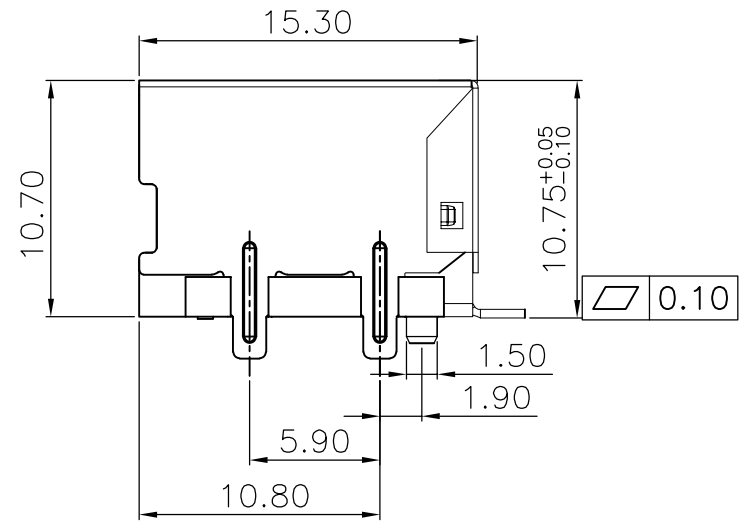
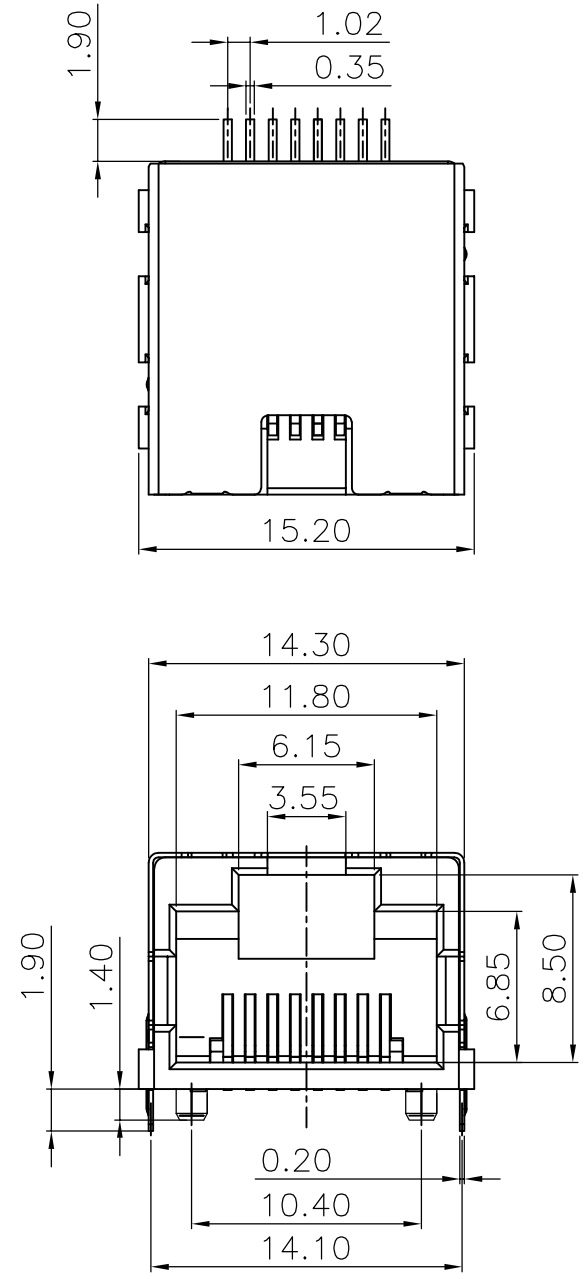


RoHS 2.0

REV.	ECN NO.	LOCATIONS	DESCRIPTION	DATE	DESIGN
A0			核对图面	2023.05.25	LZR



RECOMMENDED PCB LAYOUT(TOP VIEW)

GENERAL TOLERANCES:±0.05

NOTE:

- MATERIAL:
 - 1.1 HOUSING: THERMOPLASTIC FLAMMABILITY UL94V-0 BLACK
 - 1.2 CONTACT: COPPER ALLOY
 - 1.3 SHELL: COPPER ALLOY
- FINISH:
 - 2.1 CONTACT: 4u"Min.Au PLATED ON CONTACT AREA G/F PLATING ON SOLDER TAIL AREA NICKEL 50u" UNDERPLATING OVER ALL.
 - 2.2 SHELL: NICKEL PLATING OVERALL

ELECTRICAL:

- VOLTAGE RATING: 125 VAC RMS
- CURRENT RATING: 15 AMP
- CONTACT RESISTANCE: 30 MILLIOHMS MAX
- INSULATION RESISTANCE: 500 MEGOHMS MIN @ 500V DC
- DIELECTRIC WITHSTANDING VOLTAGE : 500V AC R.M.S MIN

MECHANICAL:

- DURRABILITY: 750 CYCLES MIN

C	外壳	黄铜	镀镍	
B	端子	C5191	焊料区镀锡 接触区镀金(1U)	
A	底座	PA9T/LCP	黑色	
序号	品名	材质	电镀/颜色	备注

深圳市虹成电子有限公司

UNLESS OTHERWISE, GENERAL TOLERANCE: X. xxx ±0.10 X. xx ±0.20 X. x ±0.30	NAME: RJ45全包贴板带柱	P/N: HC-WK88-107H-064-T			
	DWG NO:				
THIRD ANGLE PROJECTION	UNIT: MM	SCALE: 1:1	SIZE: A4	SHEET: 1/1	REV: A1
ANGULAR: X. xx° ±1° X. x° ±3° X. ° ±5°	DRAWN:	CHECKED:	APPROVED:		