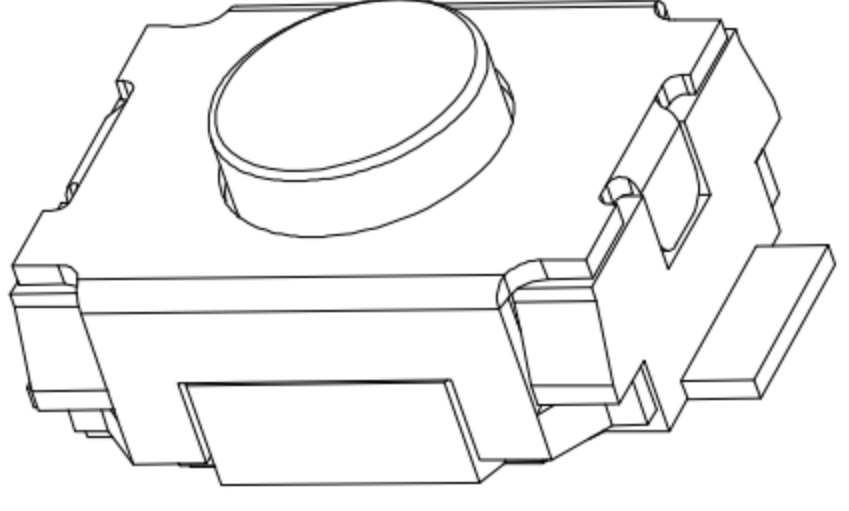
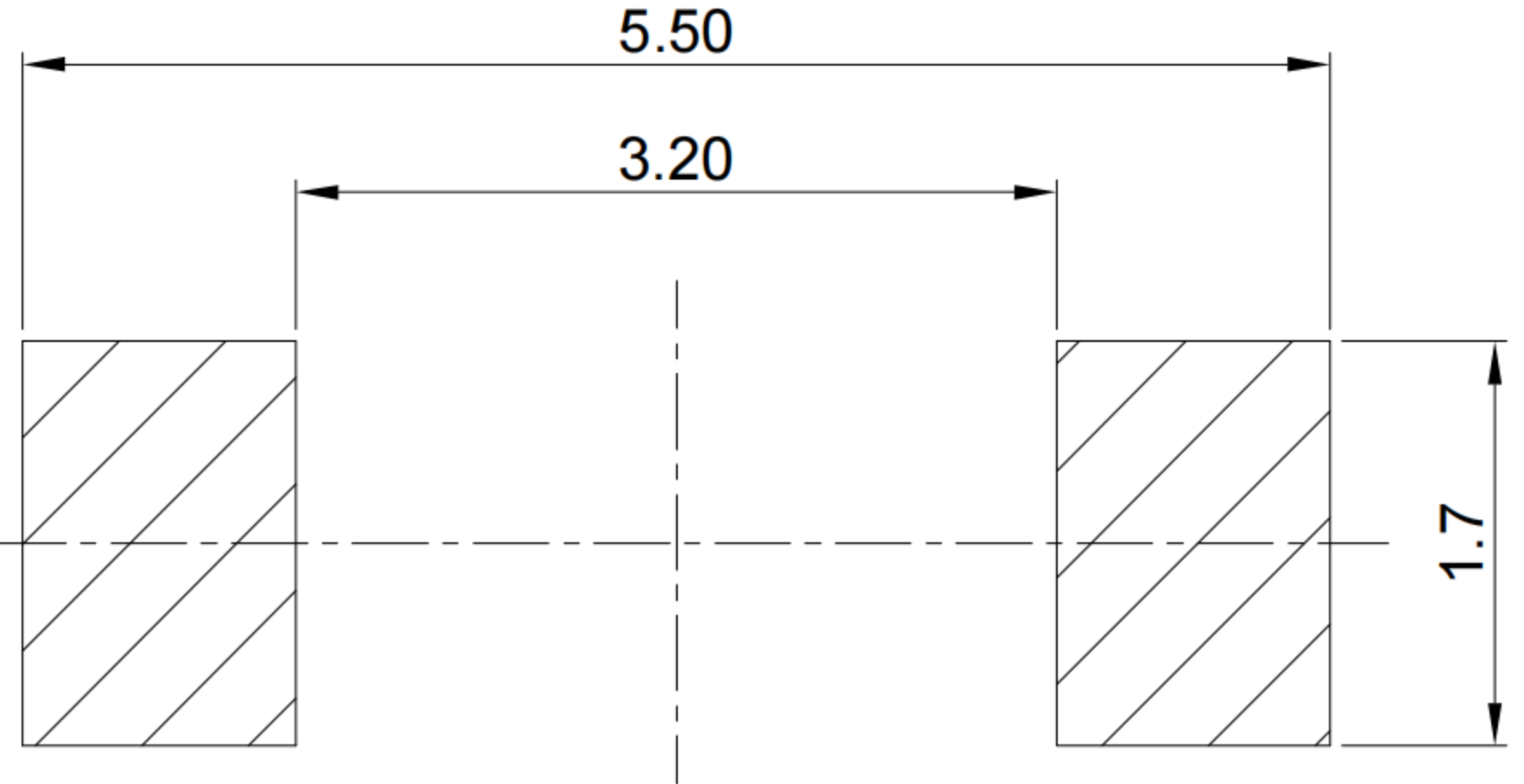
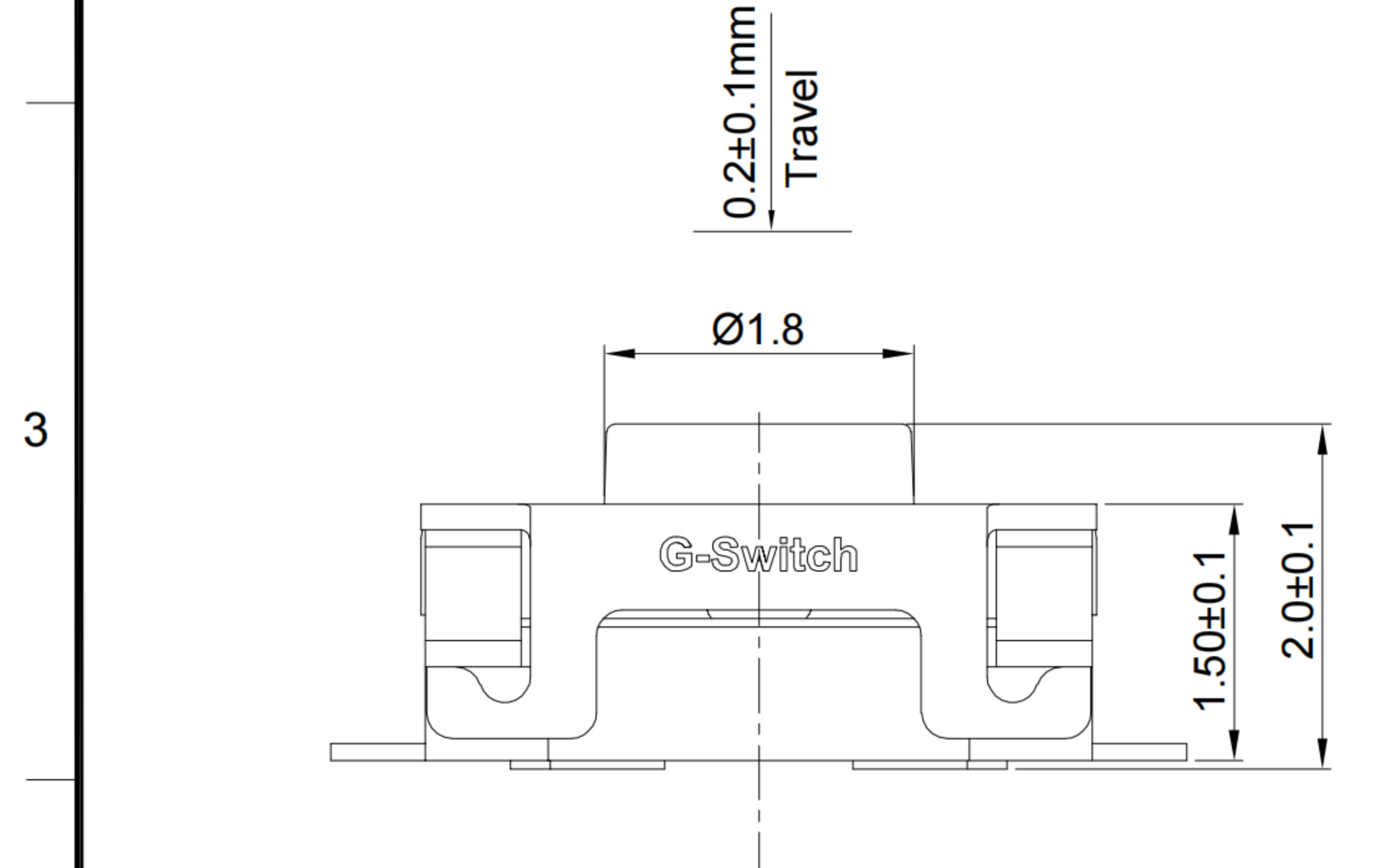


GT-TC029A-H020-L1 N

- G-Switch**
- Operating Force**
A=160gf
B=250gf
C=100gf
D=400gf
- Switch Height**
H020=2.0mm
H025=2.5mm
H030=3.0mm
H040=4.0mm
- Detail**
A=Base With Pilot
N=Non Pilot
- Switch Lifetime (Force)**
L1=100,000 Cycles



- G-Switch Specification:**
- Operating temperature range: -40°C ~ +85°C
 - Rating: 50mA, 12V DC
 - Insulation resistance: 100MΩ min, 100V DC
 - Dielectric strength: 250V AC for 1 min
 - Contact resistance: 100mΩ max.
 - Travel: 0.20±0.10mm

6	STEM	LCP-130i	BLACK
5	COVER	STAINLESS STEEL	
4	TAPE	POLYIMIDE	
3	CONTACT	STAINLESS STEEL	Ag PLATING
2	TERMINAL	COPPER ALLOY	Ag PLATING
1	CASE	HIGH TEMPERATURE PLASTIC	
NO.	PART NAME	MATERIAL	REMARK



SCALE: 1:1	UNIT: mm	Title: Vertical Tact Switch	
SIZE: A4		SMT Flat Terminal 4.0×3.0×2.0mm	
Unless otherwise General Tolerance:		Molde Code: GT-TC029A-H020-L1N	
X.	±0.40	DRAWN	CHECKED
X.x	±0.30	APPROVED	DATE
X.xx	±0.20	Xia	Chen
X°	±5°	Chen	2023.02.01
X.x°	±3°	REV: A0	SHEET: 1/1

