

FC-LCL 2208-231-16A Common Mode Line Filter

FC-LCL2208-231-16A –Series

Low Primary DCR version

High current carrying capacity

Low profile, AC/DC converter

High frequency DC/DC converter

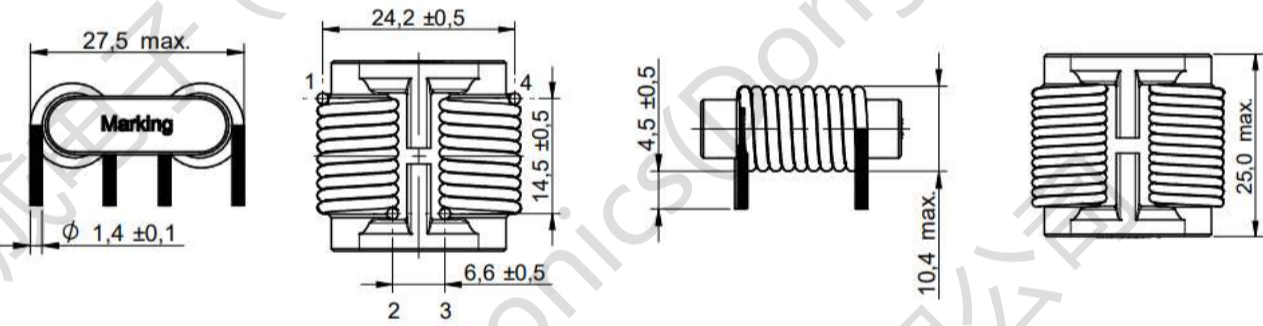
Ambient temperature -40°C to $+85^{\circ}\text{C}$

Storage temperature Component: -40°C to $+125^{\circ}\text{C}$.

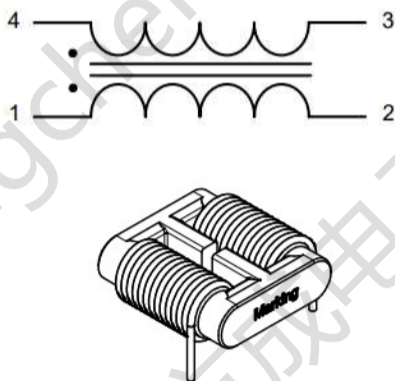
Stable stray inductor for common difference mode differential mode filtering.



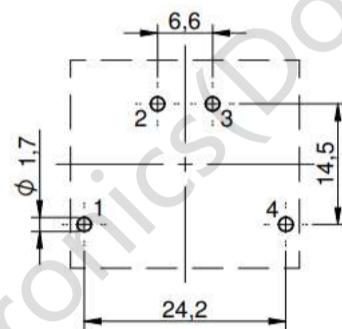
1. Dimensions:mm



2.Schematic:



3.LAYOUT RECOMMENDATION:(mm)





方成电子（东莞）有限公司

FC-LCL 2208-231-16A Common Mode Line Filter

4. ELECTRIC CHARACTERISTICS

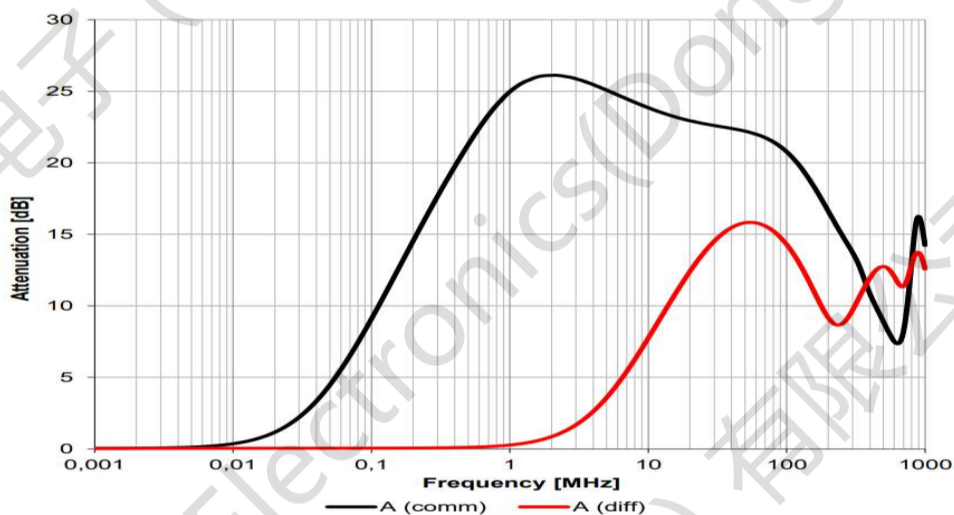
Part Number	Turns Ration	Inductance (uH)	LK(uH) Typ.(4-3 short)	RDC (mΩ)MAX	Rated Current (A)
				1-2	
FC-LCL2208-231-16A-LF	1:1	230±40%	8.7	4-3	16.0
				3.6	

Electrical Specifications @ 25°C — Operating Temperature -40°C to +125°C.

Test equipment : Inductance 100KHZ/0.1V

Rated voltage :250V、AC; Hi-Pot (N1-N2) : 1500 Vac / 60 Hz , 5 mA / 3sec

5. Typical Insertion Loss:



6. Typical Impedance Characteristics:

