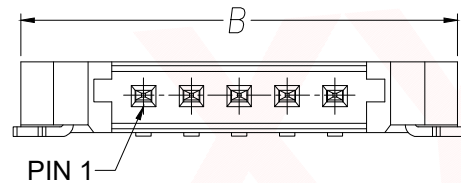
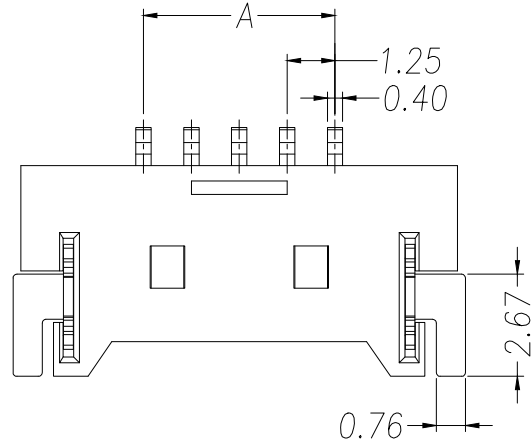
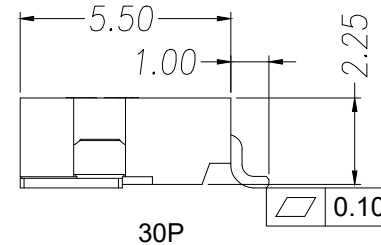
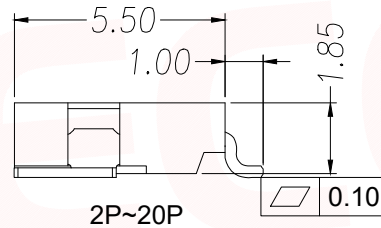
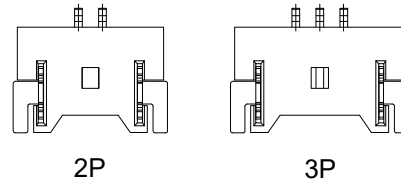
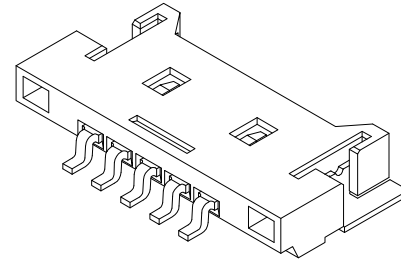


REV.	Q'TY	ECN. NO.	APR.	DATE



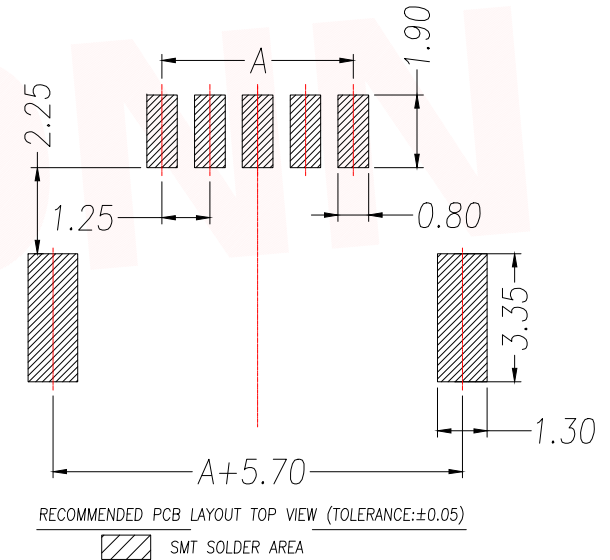
PIN	NO.	Dim A	Dim B
2	XY-MX1.25-2A71	1.25	7.65
3	XY-MX1.25-3A71	2.50	8.90
4	XY-MX1.25-4A71	3.75	10.15
5	XY-MX1.25-5A71	5.00	11.30
6	XY-MX1.25-6A71	6.25	12.65
7	XY-MX1.25-7A71	7.50	13.90
8	XY-MX1.25-8A71	8.75	15.15
9	XY-MX1.25-9A71	10.00	16.40
10	XY-MX1.25-10A71	11.25	17.65
11	XY-MX1.25-11A71	12.50	18.90
12	XY-MX1.25-12A71	13.75	20.15
13	XY-MX1.25-13A71	15.00	21.40
14	XY-MX1.25-14A71	16.25	22.65
15	XY-MX1.25-15A71	17.50	23.90
20	XY-MX1.25-20A71	23.75	30.15
30	XY-MX1.25-30A71	36.25	42.65



NOTES:

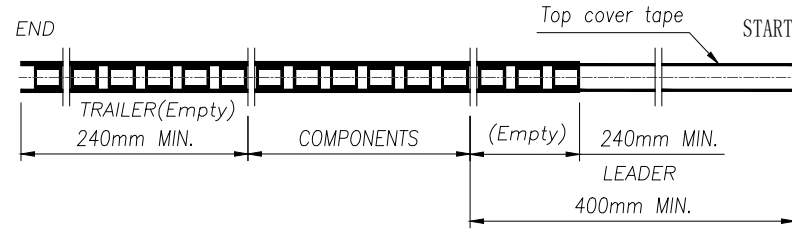
- Working temp: -25°C~85°C.
- Voltage rating: 50V AC/DC(rms)
- Contact resistance: 40mΩ max.
- Insulation resistance: 100MΩ min.
- Current rating: 1A AV/DC
- Withstanding Voltage: 500V AC/minute
- Pin Retention Force: 0.5N min.
- Housing material: PA9T UL94-V0, Natural
- Terminal materl: Brass,
plating Ni 40u" min , plating Au 0.8u"min.
- Solder tab material: Brass,
plating Ni 40u" min , plating Au 0.8u"min.

PRELIMINARY
DESIGN IS SUBJECT
TO CHANGE WITHOUT
PRIOR NOTICE

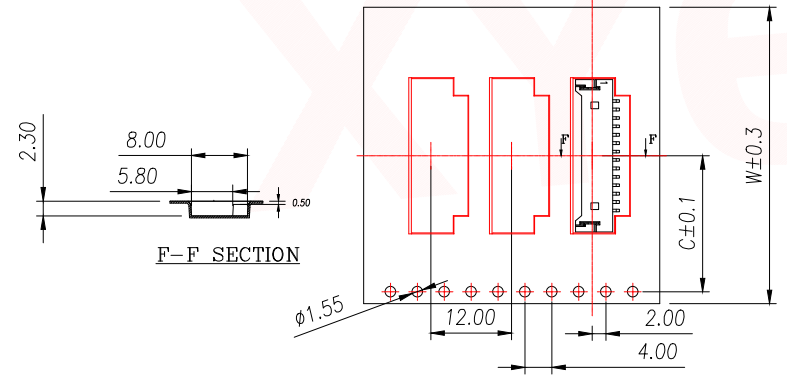
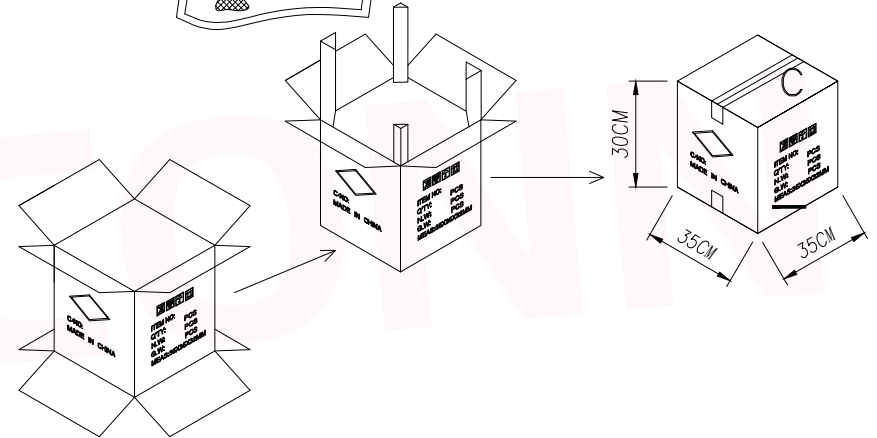
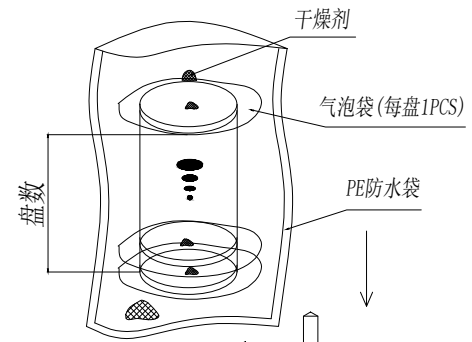
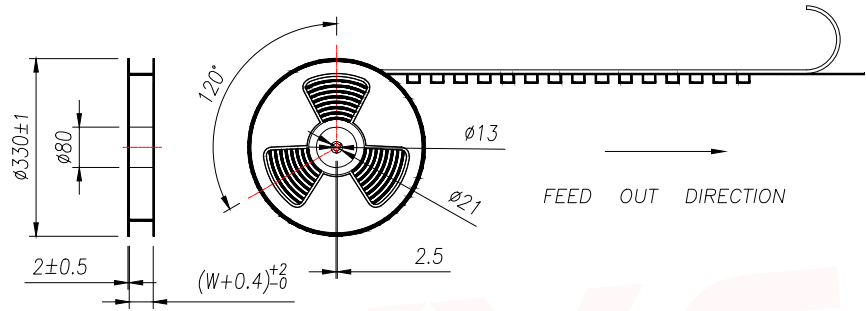


DIMENSION IN mm		TOLERANCE UNLESS OTHERWISE SPECIFIED		厦门市辛译精密电子有限公司 Xiamen XinYi Xyecomm Electronics Co.,Ltd	
.X±0.35	X.*± 5°	APR.	Alex	TITLE: WAFER 1.25mm H1.85mm 90°SMT	
.XX±0.25	.X*± 3°	CHK.	Jack	DWG NO. XY-MX1.25-NA71	
.XXX±0.15	.XX*± 1°	DRA.	Can	PROJ. CUSTOMER DRAWING	
		SIZE A4	SCALE 1:1	SHEET 1/2	REV. A

REV.	Q'TY	ECN. NO.	APR.	DATE



PRELIMINARY DESIGN IS SUBJECT TO CHANGE WITHOUT PRIOR NOTICE



- NOTE:
- 1.10 SPROCKET HOLE PITCH CUMULATIVE TOLERANCE ± 0.2 mm.
 - 2.CARRIER CAMBER NOT TO EXCEED 1mm IN 100mm.
 - 3.ALL DIMENSIONS MEET EIA-481 REQUIREMENTS.
 - 4.MATERIAL: CLEAR ANTISTATIC PS, COLD SEALING.
 - 5.COMPONENT LOAD PER REEL: 2000 PCS.

PIN	NO.	Dim C	Dim W	PCS/RELL	RELL/CARTON	PCS/CARTON
2	XY-MX1.25-2A71	7.50	16.00	2000	12	24000
3	XY-MX1.25-3A71				10	20000
4	XY-MX1.25-4A71	11.50	24.00	2000	10	20000
5	XY-MX1.25-5A71					
6	XY-MX1.25-6A71					
7	XY-MX1.25-7A71					
8	XY-MX1.25-8A71					
9	XY-MX1.25-9A71					

DIMENSION IN mm		厦门市辛译精密电子有限公司 Xiamen XinYi Xyconn Electronics Co.,Ltd			
TOLERANCE UNLESS OTHERWISE SPECIFIED		APR. Alex	TITLE: WAFER 1.25mm H1.85mm 90°SMT		
.X \pm 0.35	X.* \pm 5*	CHK. Jack	DWG NO. XY-MX1.25-NA71		
.XX \pm 0.25	.X* \pm 3*	DRA. Can	PROJ. CUSTOMER DRAWING		
.XXX \pm 0.15	.XX* \pm 1*		SIZE A4	SCALE 1:1	SHEET 2/2 REV. A