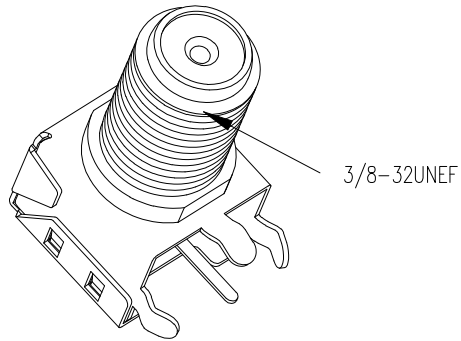
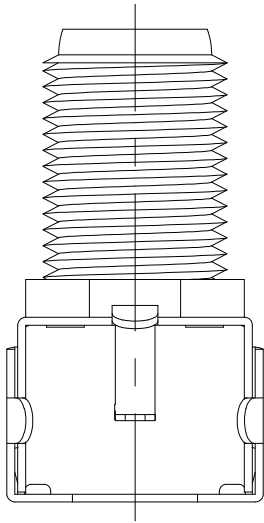
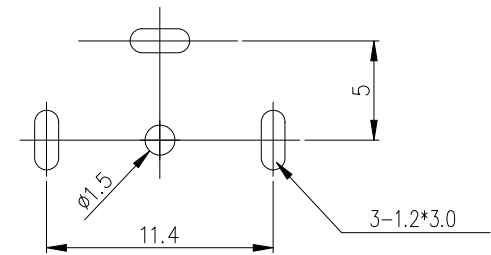
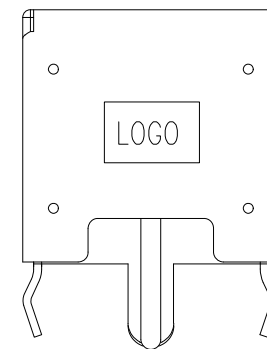
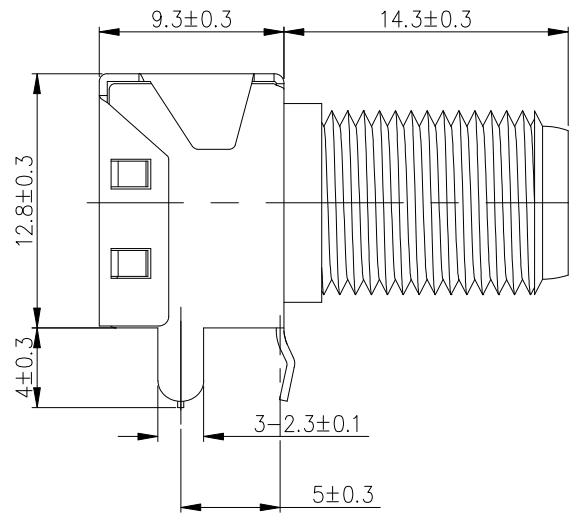
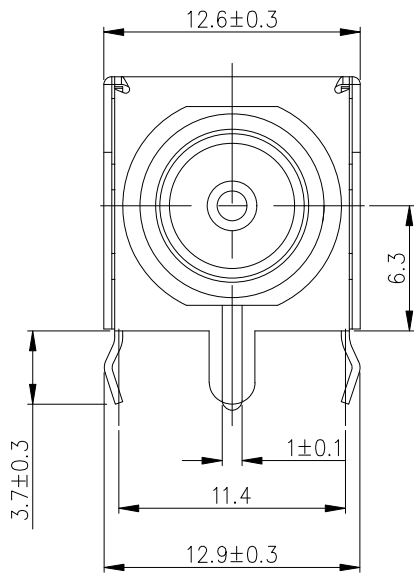


7	8	9
标记	次数	更改单号
		签名
		日期



SPECIFICATION

1. Operating Temperature: $-25^{\circ}\text{C} \sim +85^{\circ}\text{C}$
2. Voltage Rating: 50V DC
3. Current Rating: 0.2A
4. Contact Resistance: $30\text{m}\Omega$ Max,
After the test $100\text{m}\Omega$ Max
5. Insulation Resistance: $1000\text{M}\Omega$ min
6. Dielectric Withstanding Voltage: 500V AC Min
7. Insertion Force: 50N MAX
Extraction Force: 3N min
8. Life Operation: 1000 Cycles
9. All Material Must be Comply With RoHS.



Recommend PCB Layout
Tolerance: $\pm 0.05\text{mm}$

2	RF头	1	Zinc Alloy+PA66+Phosphor copper	颜色	镀层 Ni>40μ" 镀层 Tin>40μ"
1	Bracket 支架	1	冷轧板 T=0.4mm		Cu >40μ", CuSn>40μ"
NO.	Part Name 零件名称	Qty 数量	Material 材料	Plating/Color 镀层及颜色	

GENERAL TOLERANCES		DIMENSION:		PART NAME	DRAWING NO		SHEET
.XX±0.20		X±0.40			射频频座	1 OF 1	
.X±0.30		ANGULAR: ±2°		PART NO.		PROJECTION	SCALE
DRAWN					HC-PBZ-R03563		
CHECKED				CUSTOMER NAME		深圳市虹成电子有限公司	
APPROVED				CUSTOMER P/N			