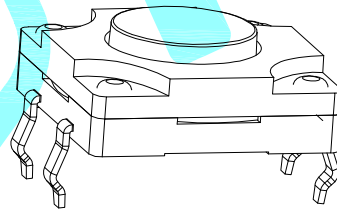
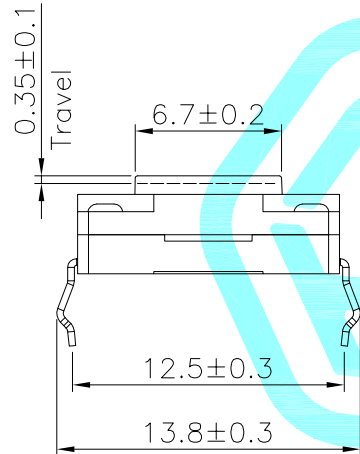


PCB Layout(Pattern side)



NO.1			
PART NO	H	PART NO	H
A	4.3	L	9.5
B	4.5	M	10
C	5.0	N	10.5
D	5.5	O	11
E	6	P	11.5
F	6.5	Q	12
G	7	R	12.5
H	7.5	S	13
I	8	T	13.5
J	8.5	U	14
K	9	V	15

NO.2	
PART NO	vigor
4	250±30
5	350±50

NO.3	
PART NO	MATERIAL/QTY
S	SUS/1PC
C	C5210/1PC
D	SUS/2PCS
F	C5210/2PCS

NO.4-NO.5	
PART NO	NOTE
01~99	SERIAL NUMBER

⑦	Gasket	—	1	PPA	—	—
⑥	Waterproof Silicone	—	1	Silica gel	—	—
⑤	Terminal	—	4	Brass(0.3t)	Plating silver	—
④	Contact	—	1	F.Ag/SUS	—	—
③	Base	—	1	PPA	Black	UL94V-0
②	Cover	—	1	PPA	—	—
①	Keystoke	—	1	PPA	Black	UL94V-0
ITEM	PART NAME	TER'NO.	QTY.	MATERIAL	FINISHING	REMARK

APPROVALS			DATE		hro®		
DRAWN	LIUCAN		2021.7.14				
CHECKED					TITLE:	TACT SWITCHS	
APPROVALS					PART NO.	K2-1841DP-□□□W-□□	
TOLERANCES ARE			30~以上	±0.30	ANGLE	UNIT: mm	SCALE: 1:1
			10~30	±0.20			
			5~10	±0.15	±2'	DRAWING NO.	PROJ:
			~ 5	±0.10			

ECN NO.	REV.	DATE.	DESCRIPTION.	CHANGE.	CHECK.	APPRO.
—	A	—	NEW	—	—	—