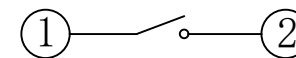
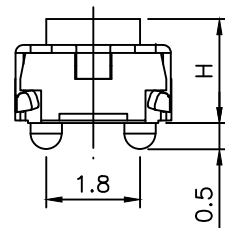
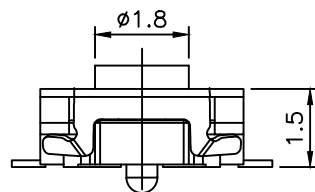
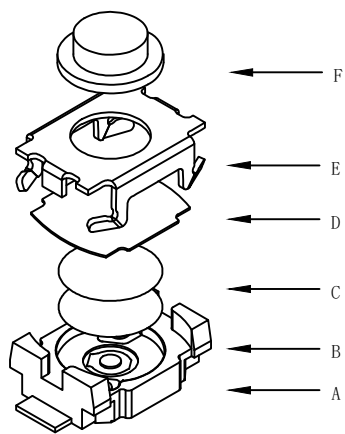


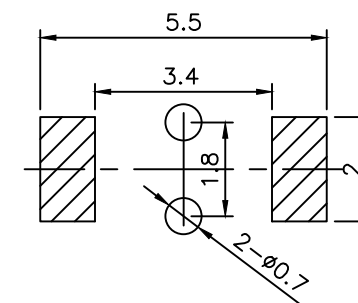
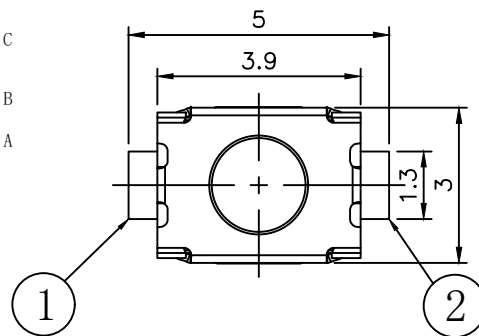
RoHS

CAD GENERATED DRAWING. DON'T CHANGE BY HAND.

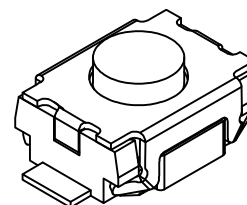
REV.	ECN. NO.	APPD.



CIRCUIT DIAGRAM



PCB. WELDING DRAWING



Specification

Operating Life	100,000
Contact rating	50mA@12V DC.
Insulation resistance	1011Ω min.
Contact resistance	100mΩ max. initial.
Dielectric Strength	250 V AC (1mm)
Travel	0.2±0.15mm
Storage Temperature	-30° C to 80° C

Packaging:  
Reel of 4,000 pieces.

E	Button	LCP/SiIica	1	Black/Blue
D	COVER	Stainless Steel	1	Cleaning
C	DOME	Stainless Steel	1	Plated Ag
B	HOUSING	LCP	1	Black
A	PIN	PHOSPHOR BRONZE	1	Plated Ag
ITEM	DESCRIPTION	MATERIAL	QTY	FINISH/COL OR

Mechanical

Type	Operatin Force(gf)	Height mm	Button Shape (G, J, T)	Leads Shape (6, J, T)	Ground pin (0, 1)	Pins Option (0, 1)
BTSOA009	2	250±50	B	2.0	U(Blue) B(Black)	G 0 (None)
	1	180±50	A	1.8		1 (Pegs)

THESE DRAWINGS AND SPECIFICATIONS ARE THE PROPERTY OF Bozhong TECHNOLOGY CO.,LTD AND SHALL NOT BE REPRODUCED.

X.	±0.50	X.°	±2°
.X	±0.30	.X°	±1°
.XX	±0.10	.XX°	±0.5°
.XXX	±0.05		

UNITS	mm
MAT'L	/
FINISH	/
Q'TY	/



东莞市博众电气有限公司  
Dongguan Bozhong Electrical Co., Ltd

PART NO.	BTSOA009
APPD:	ROGER
CHKD:	ROC
DR:	BILLY WANG 2020/08/21

TITLE:	TACTILE SWITCH 3x4#		
DWG NO.:	BTSOA009		
SCALE	SHEET	REV.	
1/1	1/1	A1	

