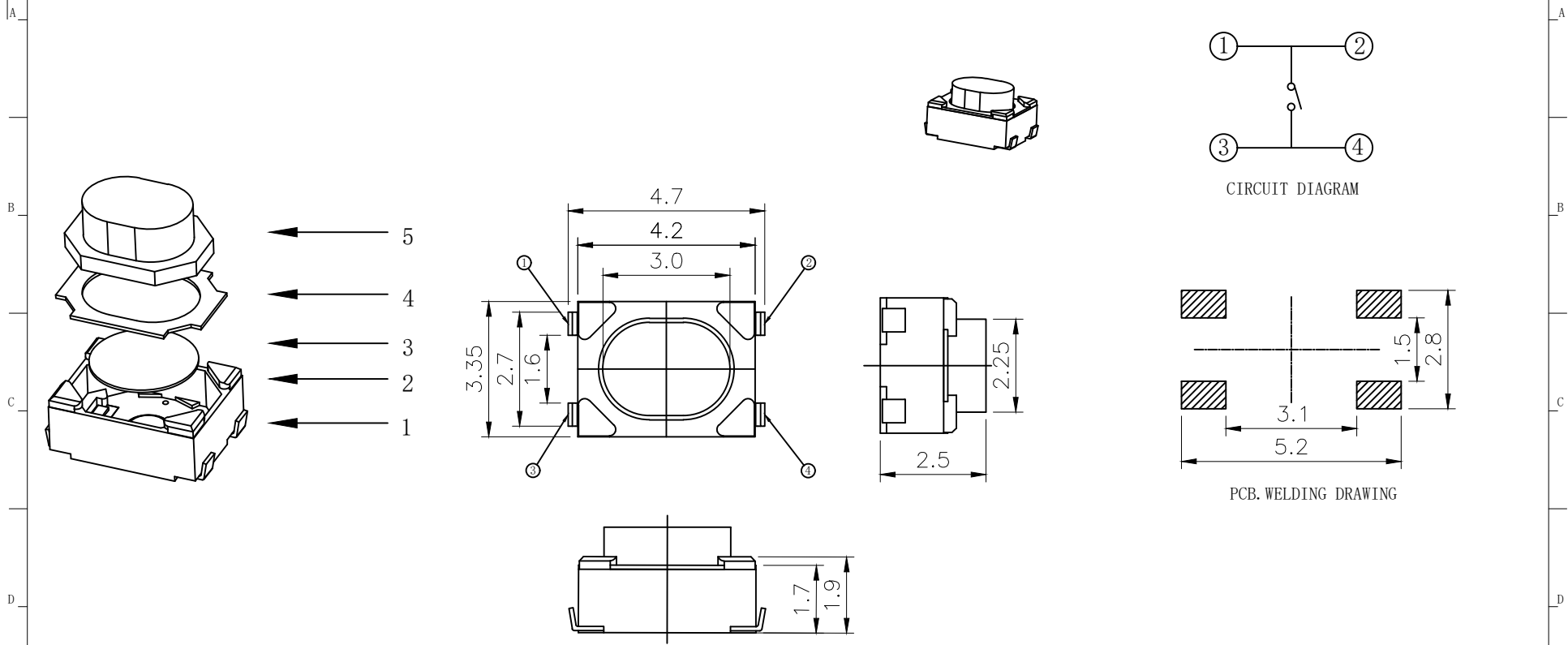


RoHS

CAD GENERATED DRAWING. DON'T CHANGE BY HAND.

REV.	ECN. NO.	APPD.



Specification

Operating Life	100,000
Contact rating	50mA@12V DC.
Insulation resistance	100MΩ min.
Contact resistance	100mΩ max. initial.
Dielectric Strength	250 V AC(1mm)
Travel	0.2±0.1mm
Storage Temperature	-30° C to 85° C

5	STEM	PPA	1	White/Black
4	COVER	Stainless Steel	1	Clean
3	DOME	Stainless Steel	1	Plated Ag
2	HOUSING	LCP	1	White
1	PIN	Brass	1	Plated Ag
ITEM	DESCRIPTION	MATERIAL	QTY	FINISH/COLOR

Mechanical

PN	Operatin g Force (gf)	Height mm
BTSOA0160A/J00	100±30	2.5
BTSOA0161A/J00	180±50	2.5
BTSOA0162A/J00	250±50	2.5
BTSOA0163A/J00	400±50	2.5

THESE DRAWINGS AND SPECIFICATIONS ARE THE PROPERTY OF Bozhong TECHNOLOGY CO.,LTD AND SHALL NOT BE REPRODUCED.

X.	±0.20	X.°	±2°
.X	±0.10	.X°	±1°
.XX	±0.05	.XX°	±0.5°
.XXX	±0.05		

UNITS	mm
MAT'L	/
FINISH	/
Q'TY	/

	东莞市博众电气有限公司 Dongguan Bozhong Electrical Co., Ltd							
	PART NO.	TITLE:						
BTSOA016		TACTILE SWITCH 4.2x3.2mm						
APPD: ROGER	DWG NO. : BTSOA016							
CHKD: ROC	<table border="1"> <tr> <td>SCALE</td> <td>SHEET</td> <td>REV.</td> </tr> <tr> <td>1/1</td> <td>1/1</td> <td>A1</td> </tr> </table>		SCALE	SHEET	REV.	1/1	1/1	A1
SCALE	SHEET	REV.						
1/1	1/1	A1						
DR: BILLY WANG 2020/08/21								

Packaging:
Reel of 3,000 pieces.