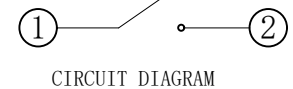
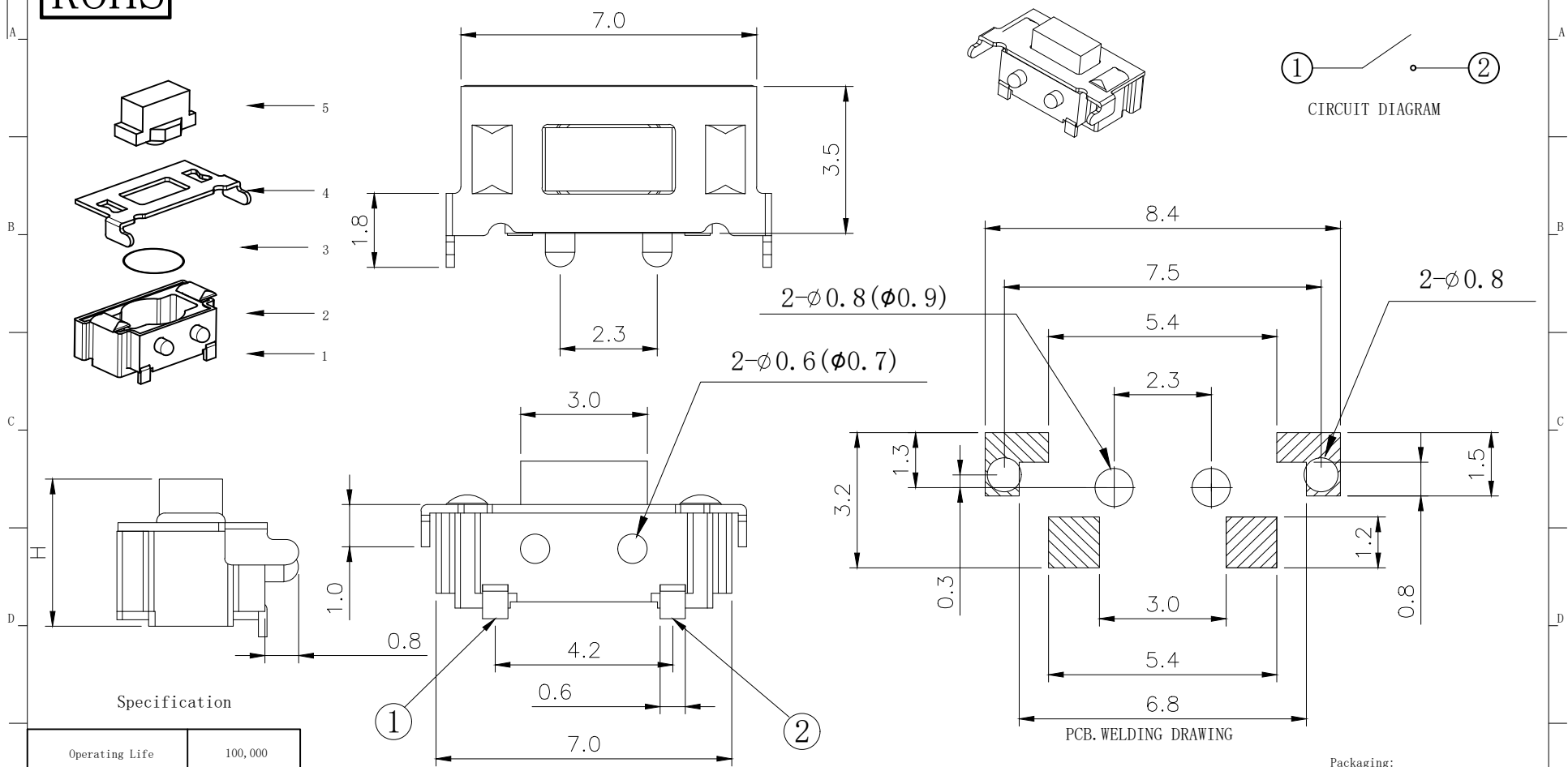


RoHS

CAD GENERATED DRAWING. DON'T CHANGE BY HAND.

REV.	ECN. NO.	APPD.



Specification

Operating Life	100,000
Contact rating	50mA@12V DC.
Insulation resistance	1011Ω min.
Contact resistance	100mΩ max. initial.
Dielectric Strength	250 V AC(1mm)
Travel	0.2±0.1mm
Storage Temperature	-30° C to 80° C

E	Button	PPA/Silicone	1	Black/Blue
D	COVER	Phosphor copper	1	Silver
C	DOME	Stainless Steel	1	Plated Ag
B	HOUSING	PPA	1	Black
A	Cards	Phosphor copper	1	Plated Ag
ITEM	DESCRIPTION	MATERIAL	QTY	FINISH/COLOR

Mechanical

P/N	Operating Force(gf)	Height mm	Button	Leads Shape (G, J, T)	Ground pin (0,1)	Prog. Option (0,1)
BTSOB003	3	290±50	C	3.2	Ø(B)ac	1 (Prog. Option)
	2	180±50	B	3.8	Ø(B)ac	1 (Prog. Option)
	1	120±50	A	3.5	1 (Ground pin)	1 (Prog. Option)

X. ±0.50	X.° ±2°	UNITS mm	东莞市博众电气有限公司 Dongguan Bozhong Electrical Co., Ltd
.X ±0.30	.X° ±1°		
.XX ±0.10	.XX° ±0.5°	MAT'L	PART NO. BTSOB003
.XXX ±0.05		FINISH	APPD: ROGER
THESE DRAWINGS AND SPECIFICATIONS ARE THE PROPERTY OF Bozhong TECHNOLOGY CO.,LTD AND SHALL NOT BE REPRODUCED.			CHKD: ROC
			DR: BILLY WANG 2020/08/21
		Q'TY	DWG NO. : BTSOB003
			SCALE SHEET REV. 1/1 1/1 A1

Packaging:
Reel of 2,000 pieces.