

RoHS Mechanicals:

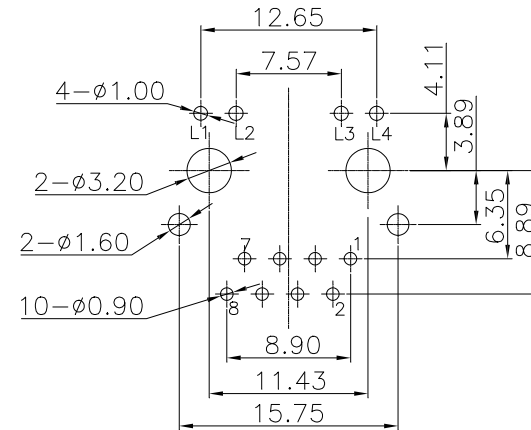
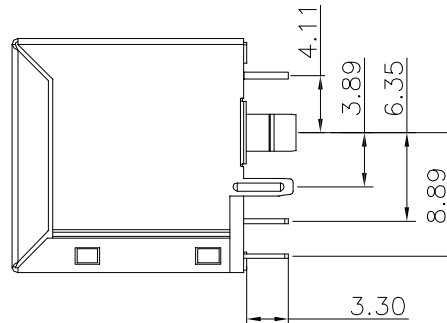
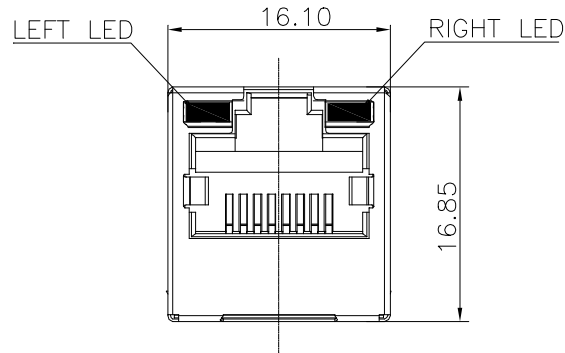
REV.	ECN NO.	LOCATIONS	DESCRIPTION	DATE	DESIGN
A		N/A	New Design	2022.4.25	Jerry Li

1. Material:

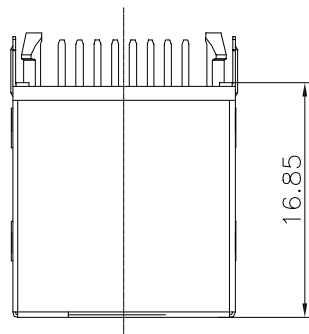
- 1.1 Housing: PBT UL94V-0 Black.
- 1.2 Contact :Phosphor Bronze,Gold plated on contact area 6u".
- 1.3 Input Terminal : Brass.
- 1.4 Metal shielding:Copper alloy with Nickel plated.



2. Environmental requirements:

- 2.1 Lead-free process,compliant RoHS.

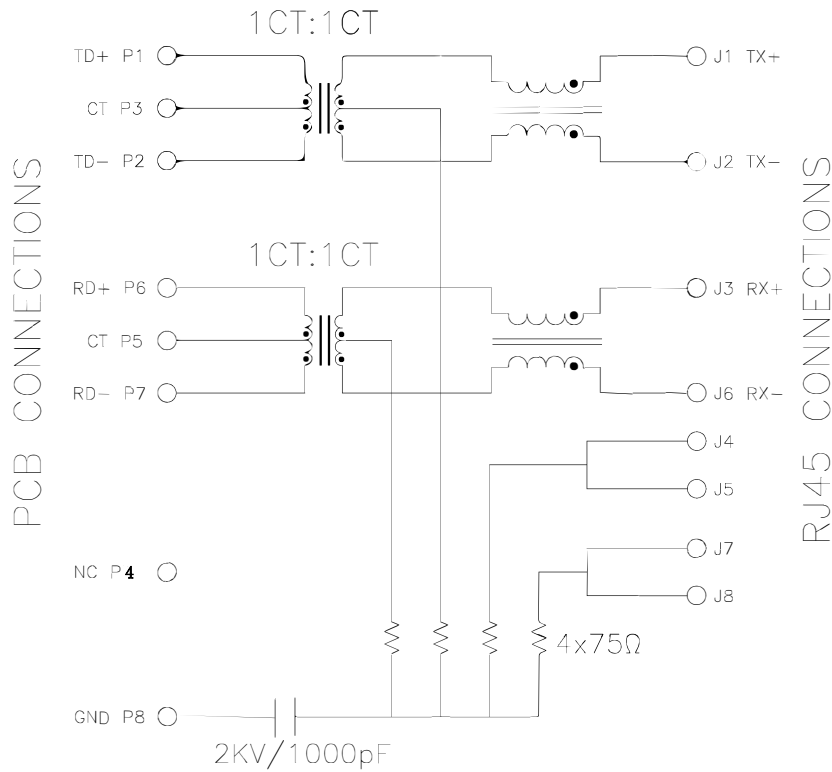


Recommended PCB Layout  
(Tolerance:±0.05)



  UNIT: mm [inch]	<b>深圳市华灿天禄电子有限公司</b>	
	DESIGN: Jerry Li	PART NAME: R746 1x1 Dip Tab Down 10/100 Base With LED 6u" NS
	CHECKED: Jerry Li	PART NO. HC915310A-M902-A
	APPROVED: J Mou	DRAW NO. SLW-M902-A
TOLERANCE: Unless Otherwise Specification All Tolerance Are ±0.25mm	SCALE:1:1 SIZE:A4	SHEET NO. 01 OF 02

REV.	ECN NO.	LOCATIONS	DESCRIPTION	DATE	DESIGN
A		N/A	New Design	2022.4.25	Jerry Li



- 3. Electrical Specification @25°C:
  - 3.1 Inductance: 350uH Min With 8mA DC bias.
  - 3.2 Insertion loss :
    - 1-100MHZ -1dB max.
  - 3.3 Return loss :
    - 1-30MHZ -18dB min.
    - 30-60MHZ -16dB min.
    - 60-80MHZ -12dB min.
  - 3.4 Common Mode Rejection: 1-100MHZ -30dB min.
  - 3.5 Cross Talk: 1-100MHZ -30dB min.
- 4. Operating and Storage Temperature:
  - 4.1 Operating Temperature : 0°C to +70°C.
  - 4.2 Storage Temperature : -40°C to +85°C.
- 5. Wave soldering peak temperature: 260°C.



Emitting Color	$\lambda_p$ (nm)	$V_f@I_f=20mA$
Green	565	1.8-2.5V
Yellow	585	1.8-2.5V

 UNIT: mm [inch]	<b>深圳市华灿天禄电子有限公司</b>	
	DESIGN: Jerry Li	PART NAME: RJ45 1x1 Dip Tab Down 10/100 Base With LED 6u" NS
	CHECKED: Jerry Li	PART NO. HC915310A-M902-A
	APPROVED: J Mou	DRAW NO. SLW-M902-A
TOLERANCE: Unless Otherwise Specification All Tolerance Are ±0.25mm	SCALE:1:1	SIZE:A4
SHEET NO. 02 OF 02		