

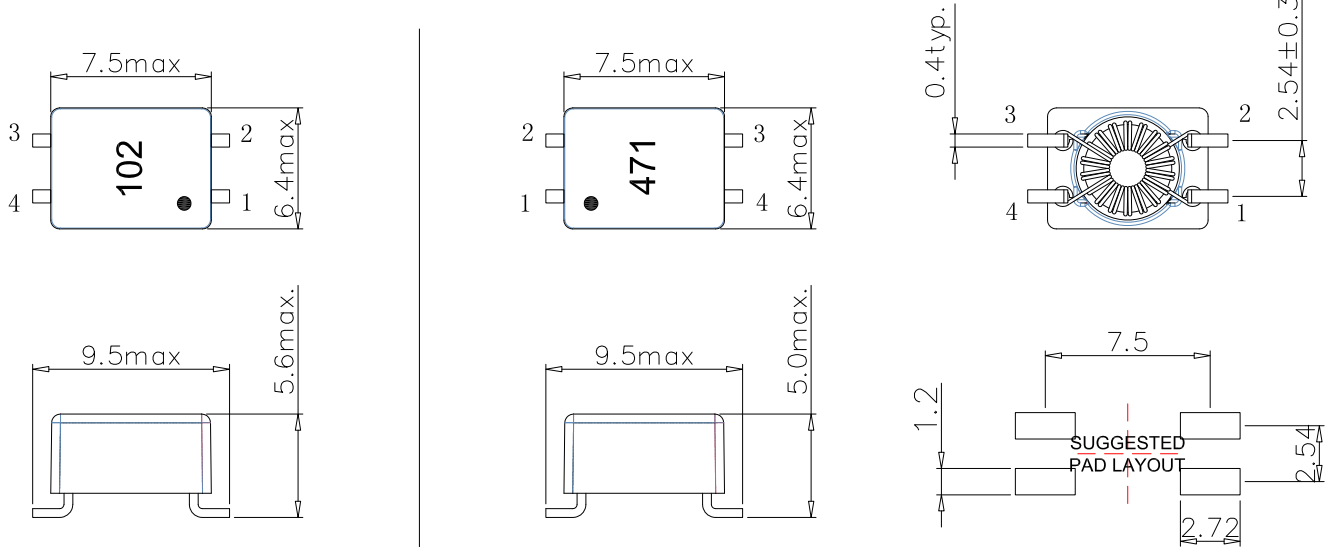
- Common mode chokes for telecom applications
- High impedance to minimize common mode noise
- Excellent EMI performance
- Operate temperature range: -40 °C to +125 °C (Including self temperature rise)
- Storage temperature range: -40 °C to +125 °C



Electrical Specifications @25 °C

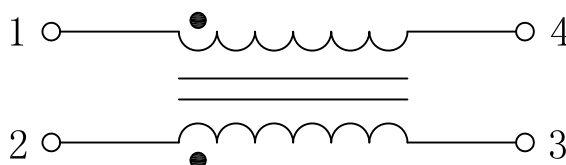
Part Number	OCL @100KHz, 0.1V	DCR	Turns Ratio	Rated Current $\Delta T \cong 40^{\circ}C$	Hi-Pot 1mA/1S/50Hz
	1-4, 2-3	1-4, 2-3	1-4 : 2-3		1-4 TO 2-3
CM422SG471N	470uH $\begin{smallmatrix} +50\% \\ -30\% \end{smallmatrix}$	200m Ω Max.	1 : 1	0.90A Max.	500Vac
CM422SG102NB	1000uH $\begin{smallmatrix} +50\% \\ -30\% \end{smallmatrix}$	300m Ω Max.	1 : 1	0.70A Max.	500Vac
CM422SG222N	2200uH $\begin{smallmatrix} +50\% \\ -30\% \end{smallmatrix}$	540m Ω Max.	1 : 1	0.50A Max.	500Vac
CM422SG472N	4700uH $\begin{smallmatrix} +50\% \\ -30\% \end{smallmatrix}$	900m Ω Max.	1 : 1	0.30A Max.	500Vac
CM422SG722N	7200uH $\begin{smallmatrix} +50\% \\ -30\% \end{smallmatrix}$	1500m Ω Max.	1 : 1	0.28A Max.	500Vac

MECHANICAL



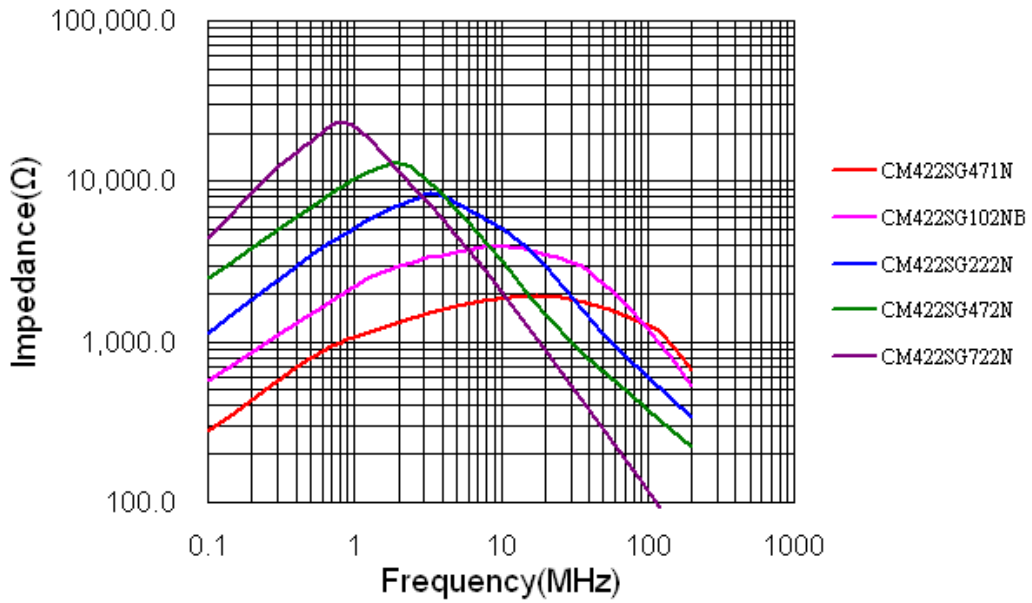
Unless otherwise specified all tolerances are:±0.25 in mm

SCHEMATICS

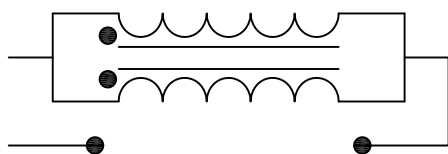
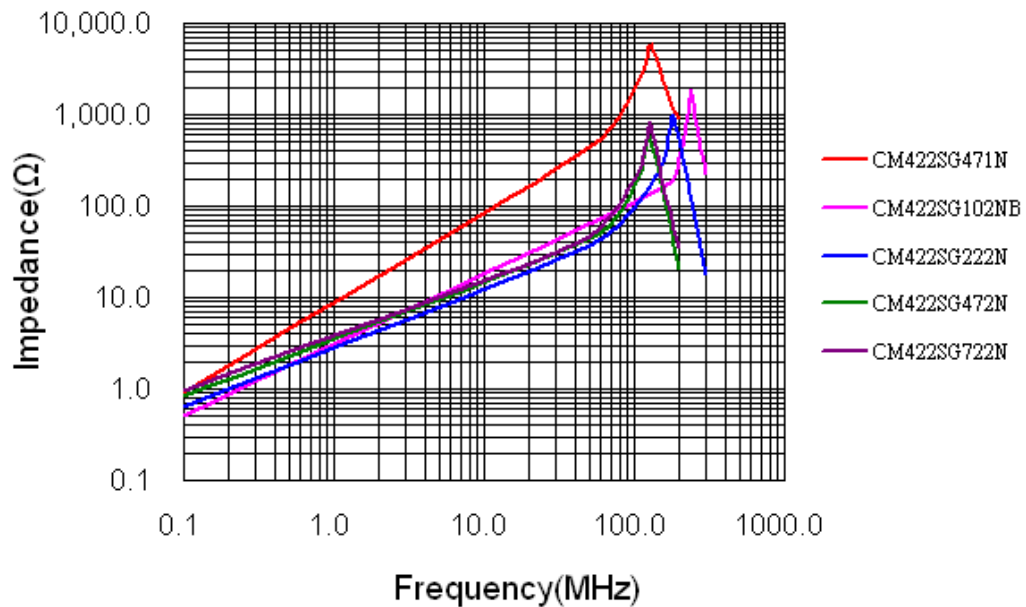


Impedance Vs Frequency

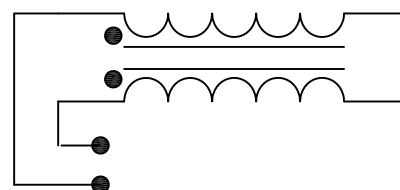
Common Mode



Different Mode



Common Mode



Different Mode