

1

2

3

4

5

6

7

8

版本	变更内容	工程确认	日期
----	------	------	----

A

B

C

D

E

F

A

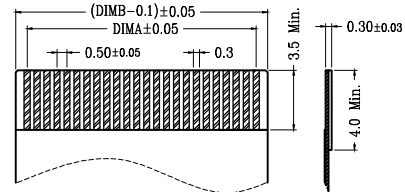
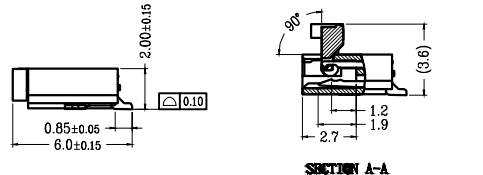
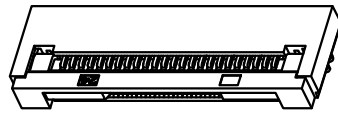
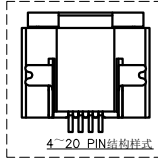
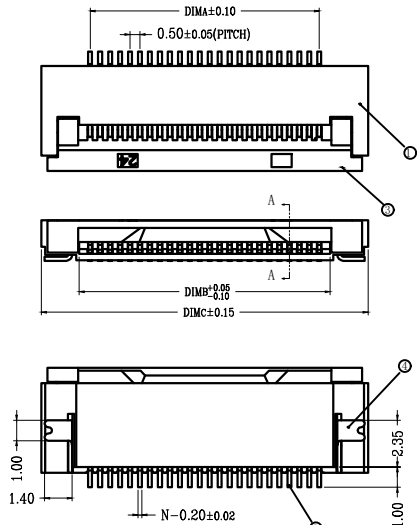
B

C

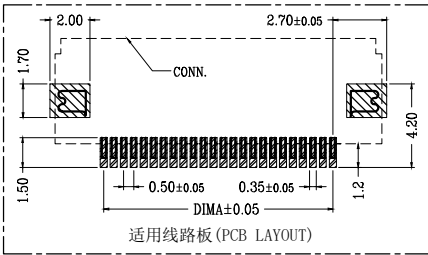
D

E

F



适用扁平线 (Applicable Flat Cable)



适用线路板 (PCB LAYOUT)

技术指标 (Technical Index):

1. 塑件表面应光洁、无毛边、无明显收缩、缺陷、裂纹等现象。(The surface of the plastic parts should be smooth, no rough edges, no obvious shrinkage, defects, cracks and other phenomena.)
2. 温度范围 (Temperature range): -25° C~85° C.
3. 额定电压 (Rated voltage): 50V, AC/DC (=等效).
4. 接触电阻 (Contact resistance): ≤0.03 Ω.
5. 绝缘电阻 (Insulation resistance): ≥500M Ω.
6. 产品料号 (Product material No.): BTC05202-\*\*\*-\*\*\*

NO OF CKT (产品PIN数)  00 后盖有LOGO (Actuator with LOGO: 8D)  0W 后盖无LOGO (Actuator without LOGO)

Plating (电镀方式): 0: 端子全雾锡 (Terminal all mist tin) 1: 端子全金 (Terminal G/F OVERALL) 6: 端子点镀金

Packing (包装方式): T: TUBE管装 R: TAPE & REEL 卷装

CKT	DIMA	DIMB	DIMC	CKT	DIMA	DIMB	DIMC
4	1.50	2.60	6.40	33	16.00	20.90	20.90
5	2.00	3.10	6.90	34	16.50	17.60	21.40
6	2.50	3.60	7.40	35	17.00	18.10	21.90
7	3.00	4.10	7.90	36	17.50	18.60	22.40
8	3.50	4.60	8.40	37	18.00	19.10	22.90
9	4.00	5.10	8.90	38	18.50	19.60	23.40
10	4.50	5.60	9.40	39	19.00	20.10	23.90
11	5.00	6.10	9.90	40	19.50	20.60	24.40
12	5.50	6.60	10.40	41	20.00	21.10	24.90
13	6.00	7.10	10.90	42	20.50	21.60	25.40
14	6.50	7.60	11.40	43	21.00	22.10	25.90
15	7.00	8.10	11.90	44	21.50	22.60	26.40
16	7.50	8.60	12.40	45	22.00	23.10	26.90
17	8.00	9.10	12.90	46	22.50	23.60	27.40
18	8.50	9.60	13.40	47	23.00	24.10	27.90
19	9.00	10.10	13.90	48	23.50	24.60	28.40
20	9.50	10.60	14.40	49	24.00	25.10	28.90
21	10.0	11.10	14.90	50	24.50	25.60	29.40
22	10.50	11.60	15.40	51	25.00	26.10	29.90
23	11.00	12.10	15.90	52	25.50	26.60	30.40
24	11.50	12.60	16.40	53	26.00	27.10	30.90
25	12.00	13.10	16.90	54	26.50	27.60	31.40
26	12.50	13.60	17.40	55	27.00	28.10	31.90
27	13.00	14.10	17.90	56	27.50	28.60	32.40
28	13.50	14.60	18.40	57	28.00	29.10	32.90
29	14.00	15.10	18.90	58	28.50	29.60	33.40
30	14.50	15.60	19.40	59	29.00	30.10	33.90
31	15.00	16.10	19.90	60	29.50	30.60	34.40
32	15.50	16.60	20.40	61	30.00	31.10	44.90
				64	31.50	42.60	36.40
				65	32.00	33.10	36.90

品名 (NO.)	材质 (Material)
① 0.5 掀盖胶芯 (H=2.0) 0.5 Pitch Easy-on Type Housing (H=2.0)	LCP UL94V-0 本色 Natural
② 0.5 掀盖端子 (H=2.0) 0.5 Pitch Easy-on Type Terminal (H=2.0)	铜合金/表面镀锡 Copper Alloy/ Tin Plating
③ 0.5 掀盖后盖 (H=2.0) 0.5 Pitch Easy-on Type Actuator (H=2.0)	LCP UL94V-0 黑色 Black
④ 0.5 掀盖焊片 (H=2.0) 0.5 Pitch Easy-on Type Fitting Nail (H=2.0)	铜合金/表面镀锡 Copper Alloy/ Tin Plating

<b>东莞市博众电气有限公司</b> Dongguan Bozhong Electrical Co., Ltd		页码 (SHEET)	1/1	单位 (UNIT): MM
		版本 (REV)	A1	比例 (SCALE)
品名 (ITEM NO)	0.5 Pitch 掀盖卧式下接 (H=2.0)	日期 (DATE)	2021. 10. 12	一般公差 .XX ±0.50 .XX ±0.10 .X ±0.20 .XXX ±0.05 ANGLES: X° ±1'
料号 (PART NO)	BTC05202-****-***XW	设计 (DESIGN)	LUO	
图号 (DWG NO)		审核 (CHECKED)	ROGER LI	
		核准 (APPROVED)	ROC ZHAO	
These drawings and specifications are Dongguan Bozhong Technology Co Ltd. The property should not be copied. Without Dongguan Bozhong Technology Co. Ltd. Prior written consent to copy or use in any way. Email at info@bozhongelectric.com				