

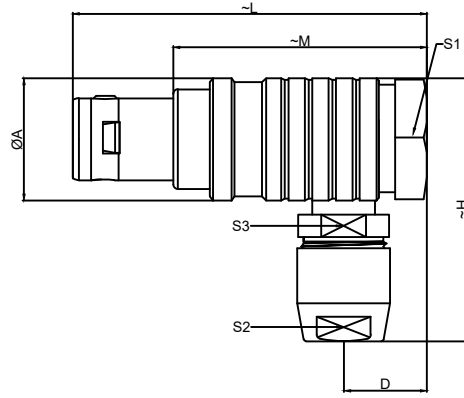
# 1.View and size(视图及尺寸)

| Main technical indicators(主要技术指标) |   |
|-----------------------------------|---|
| 1.Mating (插拔次数)                   | 5000  |
| 2.Working Temperature (温度)        | -55~+150 °C   |
| 3.IP Rating (防护级别)                | IP 50   |
| 4.Diameter of socket end(插合端直径)   | φ0.7  |
| 5.Testing Voltage (测试电压)          | 850V  |
| 6.Working Voltage (工作电压)          | 700V  |
| 7.Rated Current (额定电流)            | 7A  |
| 8.Shell material(壳体材质)            | Brass (chromium plating) shell and chuck nut/(nickel plating) pin sleeve and middleware/黄铜(镀铬)外壳和夹头螺母/(镀镍)插销套和中间件 |
| 9.Pin Material(插针材料)              | Copper alloy gold plating(铜合金镀金)  |
| 10.Insulator material(绝缘体材质)      | PPS   |

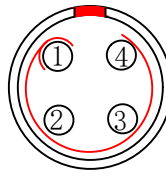
| Sum up(总结)                  |                                      |
|-----------------------------|--------------------------------------|
| Series(系列)                  | B                                    |
| Shell style/model (外壳样式/型号) | THG: Elbow plug, cable collet/电缆夹头弯头 |
| Button (按键)                 | A button(一个按键)                       |
| Termination type (终止类型)     | Male solder(公焊锡)                     |
| Line diameter awg(线材直径)     | 30AWG-22AWG                          |
| Cable diameterφ (电缆直径)      | φ4.3-5.2MM                           |
| Matching parts(配件)          | ZGG.0B.P04.CLL                       |

| Location pin combination(定位销组合) |                                   |           |                         |
|---------------------------------|-----------------------------------|-----------|-------------------------|
| (编号) Number                     | Number of positioning pins(定位销数量) | Angle(角度) | Series(系列)--0B          |
| G                               | One(1)                            |           | (Zero degrees)0°        |
| A                               | Two(2)                            | A         | Thirty degrees(30°)     |
| B                               | Two(2)                            |           | Sixty degrees(60°)      |
| C                               | Two(2)                            |           | Ninety degrees(90°)     |
| D                               | Two(2)                            | β         | 135 degrees(135°)       |
| E                               | Two(2)                            |           | 145 degrees(145°)       |
| F                               | Two(2)                            |           | 155 degrees(155°)       |
| J                               | Two(2)                            | γ         | Forty-five degrees(45°) |
| K                               | Two(2)                            |           | Seventy degrees(70°)    |
| L                               | Two(2)                            |           | 80 degrees(80°)         |

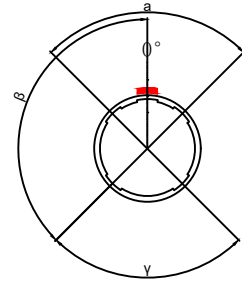
|        | A      | B      | C√     | ANGLE   |       |
|--------|--------|--------|--------|---------|-------|
| 5-10   | ±0.02  | ±0.05  | ±0.1   | 0°-30°  | ±0.1° |
| 50-100 | ±0.1   | ±0.15  | ±0.2   | 61°-90° | ±0.5° |
| 50-100 | ±0.15  | ±0.2   | ±0.25  |         |       |
| 100-   | ±0.15% | ±0.20% | ±0.25% |         |       |



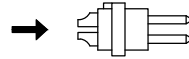
|    | A      | D     | H      | L      | M      | S1     | S2     | S3    |
|----|--------|-------|--------|--------|--------|--------|--------|-------|
| MM | 11     | 6.5   | 26     | 31.6   | 21.6   | 10     | 7      | 8     |
| in | 0.4331 | 0.256 | 1.0236 | 1.2441 | 0.8504 | 0.3937 | 0.2756 | 0.315 |



Welded surface (焊接面)



Positive view (正视图)



Solder core (焊接型公胶芯)

**TH G. 0B. P04. C L A D 52**

- Model(型号)
- Positioning pin(定位销)
- Series(系列)
- Needle core configuration(针芯配置)
- Outer casing(外壳)
- Insulator(绝缘体)
- Needle core(针芯)
- Type of clamp(线夹类型)
- Cable diameter(电缆直径)

|                                |  |          |                                      |               |          |                                       |
|--------------------------------|--|----------|--------------------------------------|---------------|----------|---------------------------------------|
| DESIGNED(设计)                   |  | DATE(日期) |                                      | SCALE(比例)     | N/A(不适用) | MODEL TYPE<br>型号类型: THG.0B.P04.CLAD52 |
| CHECKED(校对)                    |  | DATE(日期) |                                      | VIEW(视图)      |          | PART NO. 0B4-core plug<br>名称: 0B4芯插头  |
| APPROVED(审核)                   |  | DATE(日期) |                                      | UNIT(单位)      | MM       | DWG NO.:                              |
| REVISIONS                      |  |          |                                      | MATERIAL (材料) |          |                                       |
| www.helloxb.com www.helloxb.cn |  |          | XKB INDUSTRIAL PRECISION CO.,LIMITED |               |          | WEIGHT(重量) SHEET(表) REVISION(修订)      |
|                                |  |          |                                      |               |          | 1/1 A0                                |