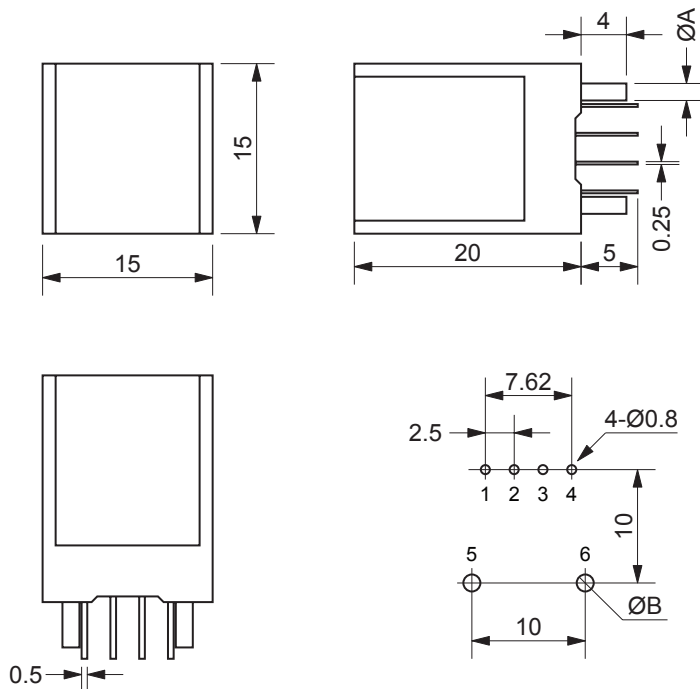


Characteristics of SCD15PSN



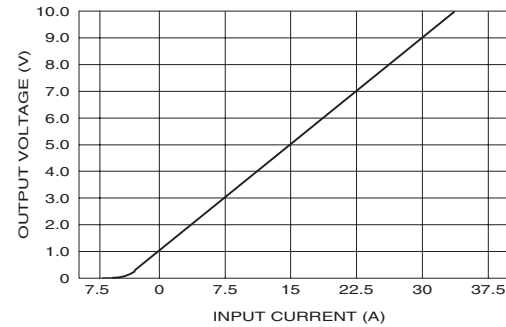
Pin Assignments

| | | |
|------|---|-----------|
| Pin# | 1 | +12V |
| | 2 | NC |
| | 3 | Output |
| | 4 | 0V |
| | 5 | Input (+) |
| | 6 | Input (-) |

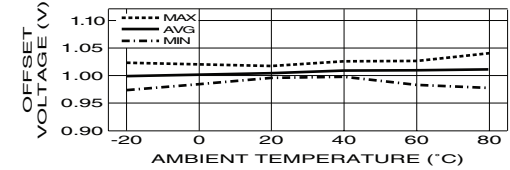
Mounting Hole Dimensions

| | | |
|----------|-----|-----|
| Model | ØA | ØB |
| SCD03PSN | 0.7 | 1.2 |
| SCD05PSN | 1.0 | 1.5 |
| SCD10PSN | 1.2 | 1.7 |
| SCD15PSN | 1.5 | 2.0 |
| SCD20PSN | 1.8 | 2.3 |

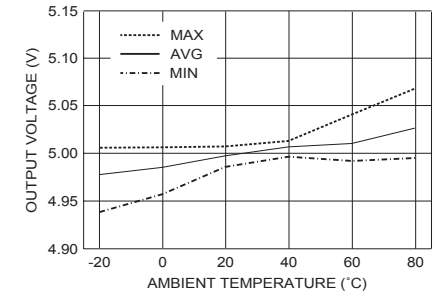
Output Voltage vs Input Current



Offset Voltage vs Temperature



Output Voltage vs Temperature



Ordering Information

SCD□□PSN

Current Rating:
03: 3A
05: 5A
10: 10A
15: 15A
20: 20A

Input Voltage:
A: ±15VDC
B: ±12VDC
S: +12VDC
T: ±5VDC
U: +5VDC

Input Current Polarity:
N: +(DC only)
R: ± (bipolar)

SPECIFICATIONS

(Vcc = +12V, RL = 10kΩ, Ta = 25°C)

| Model | SCD03PSN | SCD05PSN | SCD10PSN | SCD15PSN | SCD20PSN |
|---------------------------------|---|----------|----------|----------|----------|
| Rated Current | +3A | +5A | +10A | +15A | +20A |
| Linearity Range | +6A | +10A | +20A | +30A | +40A |
| Output Voltage | 5V ±0.8% @ Rated Current | | | | |
| Zero Current Offset Voltage | 1.0V ±30mV max. (after demagnetization) | | | | |
| Output Voltage Linearity | ± 0.5 % @ rated current | | | | |
| Supply Voltage | +12V ±5% | | | | |
| Max Current Consumption | +25mA max. | | | | |
| Response | 3 μS typ. @ 50 Amp/Turns/μS | | | | |
| Output V Temp Char | ± 0.1%/°C max. @ rated current | | | | |
| Zero Current Offset V Temp Char | ± 1.5mV/°C max. | | | | |
| Hysteresis | 15mV max. @ rated current to 0A | | | | |
| Primary Overcurrent | 10X rated current, 50 mS, no damage | | | | |
| Withstand Voltage | 2000 VAC, 50/60Hz, 1 minute between primary coil & terminal | | | | |
| Insulation Resistance | 500 VDC between primary coil & terminal | | | | |
| Operating Temp | -10° to +75° C | | | | |
| Storage Temp | -30 to +90°C | | | | |



20050 SW 112th Ave.
Tualatin, OR 97062
Phone: 503-612-2300
800-275-4899
Fax: 503-612-2383
Website: www.cui.com

| | | | |
|-----------|----------------|--------------|----|
| TITLE: | current sensor | REV: | A |
| PART NO. | SCDXXPSN | UNITS: | MM |
| DRAWN BY: | JRH | APPROVED BY: | |
| | | SCALE: | |

| REV. | DESCRIPTION | DATE |
|------|-------------|------------|
| A | NEW DRAWING | 05/15/2009 |