

This document contains proprietary information and such information may not be disclosed to others for any purposes, not used for sales/marketing/procurement purposes without written permission

REV	DESCRIPTION OF REVISION	ECN NO.	BY	DATE	APPROVED
A	Initial Release	—	H.wei	19/03/17	19/03/17

1 Electrical

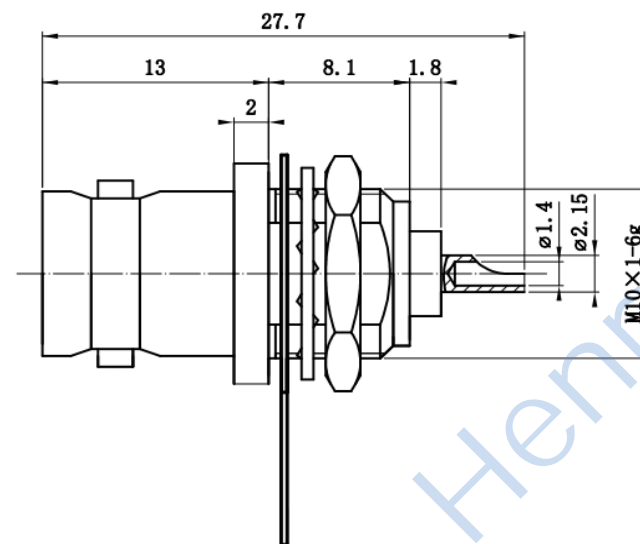
- | | |
|-------------------------------------|-------------------|
| 1.1 Impedence | 50 Ω |
| 1.2 Frequency | DC-4GHz |
| 1.3 Dielectric withstanding voltage | 1000V (volts RMS) |
| 1.4 Center contact resistance | ≤ 3M Ω |
| 1.5 Outer contact resistance | ≤ 2M Ω |
| 1.6 Insulation resistance: | ≥5000M Ω |
| 1.7 VSWR | 1.25:1 |

2 Environmental&Mechanical

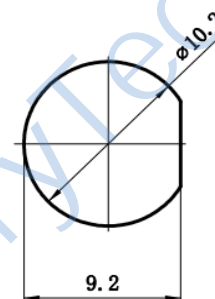
- | | |
|-----------------------|-------------|
| 2.1 Temperature range | -65°C~125°C |
| 2.2 RoHs Compliant | |
| 2.3 Durability | >500 cycles |

3 Materials&plating

- | | |
|------------------|------------------------------|
| 3.1 Body: | Brass, Nickel plated |
| 3.2 Insulator: | Teflon |
| 3.3 Contact Pin: | Phosphor Bronze, Gold plated |


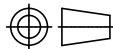


Recommended Mounting Hole



Notes:

- ALL SPECIFICATIONS ARE SUBJECT TO CHANGE NOTICE AT ANY TIME
- CUSTOMER OUTLINE DRAWING FOR REFERENCE ONLY

DRAWN: H.wei 19/03/17	TITLE:				
ENGINEER: L.yu 19/03/17	RF Coaxial Connector				
APPROVED: W.yi 19/03/17	BNC Female Bulkhead Conn. For Terminal	 DIMENSION IN MILLIMETERS (mm)			
TOLERANCES UNLESS OTHERWISE SPECIFIED	PART NO: HL-BNC-KYD7	SIZE: A4	SCALE: N/A	SHEET: 1/1	REV: A
X ±0.50					
X ±0.20					
XX ±0.10					
ANGLES ±1°					