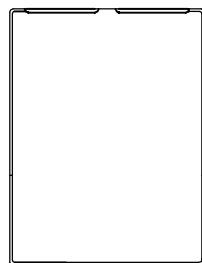
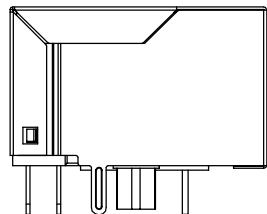


REACH & RoHS COMPLIANT

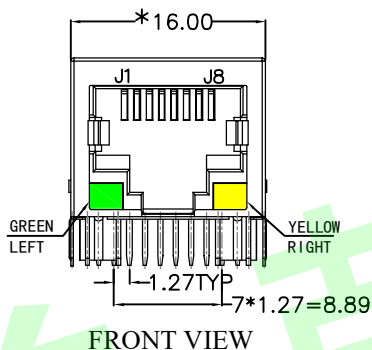
REV.	ECN / DESCRIPTION	BY	DATE
A0	NEW	ZG.Hu	2017.12.28



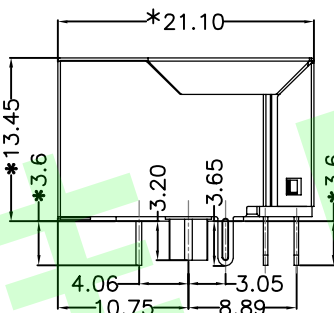
TOP VIEW



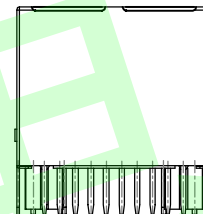
LEFT SIDE VIEW



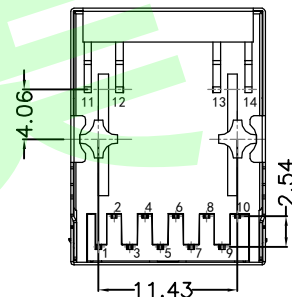
FRONT VIEW



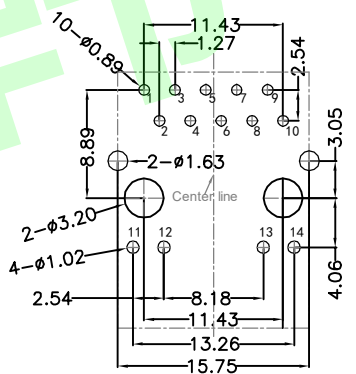
RIGHT SIDE VIEW



BACK VIEW



BOTTOM VIEW



RECOMMENDED PCB LAYOUT VIEWED FROM COMPONENT SIDE

**MATERIAL:**

HOUSING: PBT,UL94V-0,BLACK.  
 TERMINALS BRACKET: PBT,UL94V-0,BLACK.  
 SHIELD: C2680,T=0.20MM,NICKEL PLATING ON ALL AREA.  
 TERMINAL: PHOSPHOR BRONZE C5210,T=0.35MM,  
 6U" GOLD PLATING ON CONTACT AREA.

**MECHANICAL:**

DURABILITY: 750 CYCLES MIN.  
 MATING FORCE: 23N MAX.  
 OPERATING TEMPERATURE: -40°C~+85°C.  
 STORAGE TEMPERATURE: -40°C~+85°C.  
 ALL CRITICAL DIMENSIONS WITH "\*"



东莞市美韩电子科技有限公司

Dongguan Usakro Electronic Technology Co., Ltd.

Tel : 0769-87869902

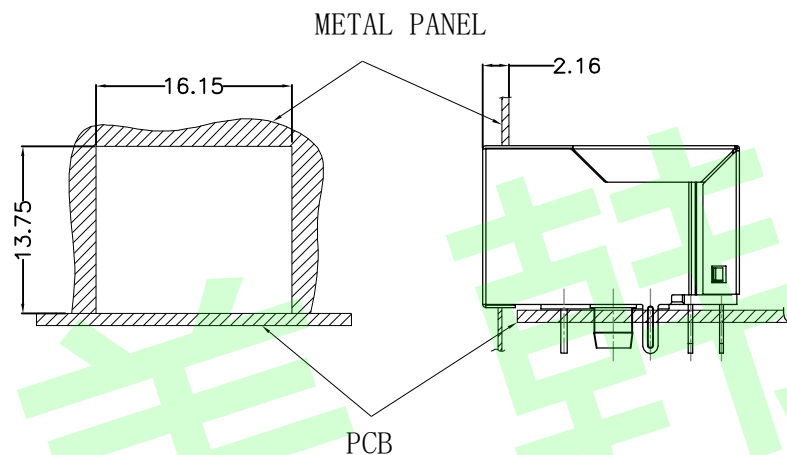
http://www.usakro.com

TITLE: TAB-DOWN 1X1 2.5G	SIZE A4	UNITS MM[INCH]	GENERAL TOLERANCES UNLESS SPECIFIED		APPROVED BY: JP.Gong
PART NO.: DGUK111Q340AB2A1D2	SACLE 1:1	REV A0	x±0.35	x°±3.0°	CHECKED BY: TW.Xu
REMARK:	SHEET 1/4		.x±0.30	.x°±2.0°	DESIGND BY: ZG.Hu
			.xx±0.25	.xx°±1.5°	
			.xxx±0.10	.xxx°±1.0°	

REACH & RoHS  
COMPLIANT

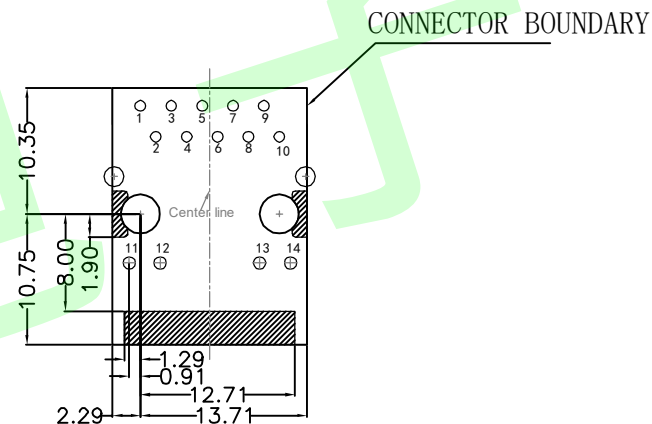
REV.	ECN / DESCRIPTION	BY	DATE
A0	NEW	ZG.Hu	2017.12.28

RECOMMENDED PANEL CUTOUT (REFERENCE ONLY):



UNIT: MM / INCH  
TOLERANCES:  $\pm 0.10$  / 0.004  
REFERENCE ONLY

KEEP-OUT AREA (COMPONENT SIDE VIEW):



PLUG-IN SIDE

UNIT: MM / INCH  
TOLERANCES:  $\pm 0.10$  / 0.004



东莞市美韩电子科技有限公司

Dongguan Usakro Electronic Technology Co., Ltd.

Tel : 0769-87869902

http://www.usakro.com

TITLE:  
TAB-DOWN 1X1 2.5G

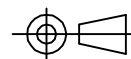
PART NO.:  
DGUK111Q340AB2A1D2

REMARK:

SIZE  
A4  
UNITS  
MM[INCH]

SACLE  
1:1  
REV  
A0

SHEET  
2/4



GENERAL TOLERANCES  
UNLESS SPECIFIED

$x \pm 0.35$   
 $.x \pm 0.30$   
 $.xx \pm 0.25$   
 $.xxx \pm 0.10$

$x^\circ \pm 3.0^\circ$   
 $.x^\circ \pm 2.0^\circ$   
 $.xx^\circ \pm 1.5^\circ$   
 $.xxx^\circ \pm 1.0^\circ$

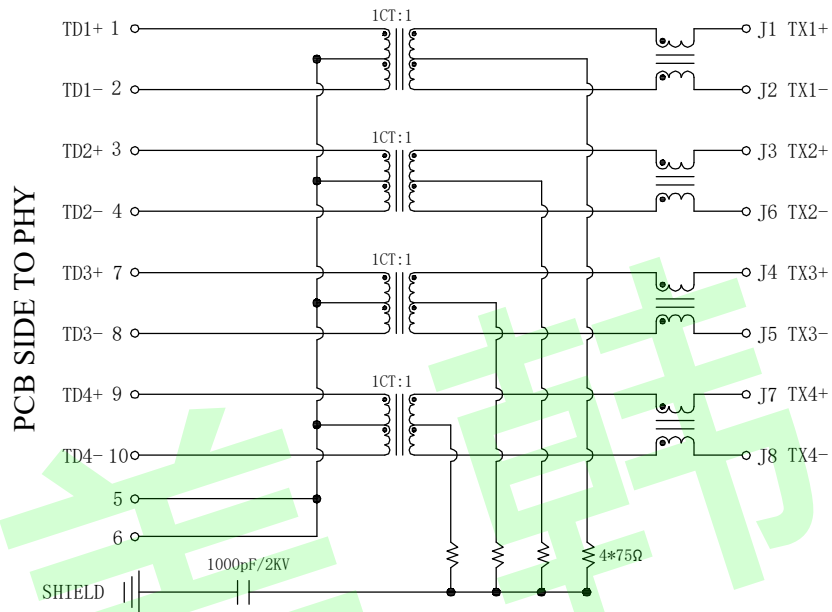
APPROVED BY:  
JP.Gong

CHECKED BY:  
TW.Xu

DESIGN BY:  
ZG.Hu

REACH & RoHS  
COMPLIANT

REV.	ECN / DESCRIPTION	BY	DATE
A0	NEW	ZG.Hu	2017.12.28



PCB SIDE TO PHY

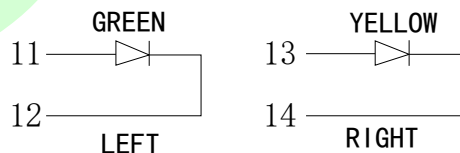
CABLE SIDE

**Electrical:**

- Turn ratio: 1~2: J1~J2=1CT:1CT(±2%).  
3~4: J3~J6=1CT:1CT(±2%).  
7~8: J4~J5=1CT:1CT(±2%).  
9~10: J7~J8=1CT:1CT(±2%).
- OCL: 180uH Min. @ 100KHz 0.1V.
- Insertion Loss: -1.0 dB Max 1~125MHz.
- Return loss: -20dB Min 1 ~ 40MHz;  
-20+15LOG<sub>10</sub>(f/40MHz) Min 40~200MHz.
- Cross talk: -30dB Min 1~125MHz.
- CMR: -30dB Min 30~200MHz;
- Hi-Pot: 2250V DC 6S 1mA PRI TO SEC

**LED Specification**

Standard LED Color	LED Wavelength	Foward(A)	Foward(V)
Green	568nm	20mA	1.85-2.45V
Yellow	585nm	20mA	1.7-2.2V



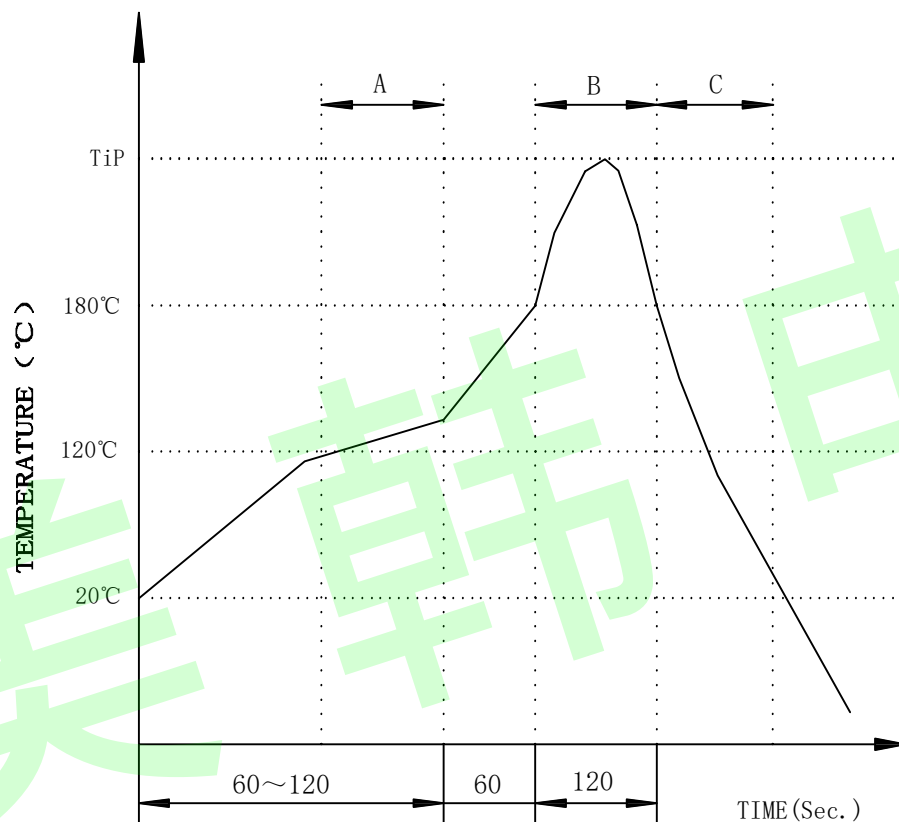
东莞市美韩电子科技有限公司  
Dongguan Usakro Electronic Technology Co., Ltd.  
Tel : 0769-87869902    http://www.usakro.com

TITLE: TAB-DOWN 1X1 2.5G	SIZE A4	UNITS MM[INCH]	GENERAL TOLERANCES UNLESS SPECIFIED		APPROVED BY: JP.Gong
PART NO.: DGUK111Q340AB2A1D2	SACLE 1:1	REV A0	x±0.35	x°±3.0°	CHECKED BY: TW.Xu
REMARK:	SHEET 3/4		.xx±0.25	.xx°±1.5°	DESIGND BY: ZG.Hu
			.xxx±0.10	.xxx°±1.0°	

REACH & RoHS  
COMPLIANT

# PROFILE OF WAVE SOLDER

REV.	ECN / DESCRIPTION	BY	DATE
A0	NEW	ZG.Hu	2017.12.28



A.Preheating B.Soldering C.Gradual Cooling  
 Tip temperature:260±5°C.  
 Tip temperature time:5Sec Max.  
 Tip melting point of Sn96.5/Ag3/Cu0.5:217°C.

Remarks: after wave soldering, the plastic positioning columns of the product which under the PCB will be slightly melted, but it won't affect its function.



TITLE: TAB-DOWN 1X1 2.5G	SIZE A4	UNITS MM[INCH]	GENERAL TOLERANCES UNLESS SPECIFIED		APPROVED BY: JP.Gong
PART NO.: DGUK111Q340AB2A1D2	SACLE 1:1	REV A0	x±0.35	x°±3.0°	CHECKED BY: TW.Xu
REMARK:	SHEET 4/4		.xx±0.25	.xx°±1.5°	DESIGND BY: ZG.Hu
			.xxx±0.10	.xxx°±1.0°	

东莞市美韩电子科技有限公司  
 Dongguan Usakro Electronic Technology Co., Ltd.  
 Tel : 0769-87869902    http://www.usakro.com