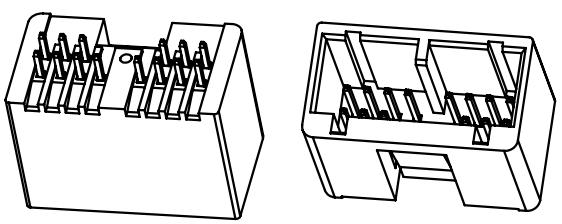
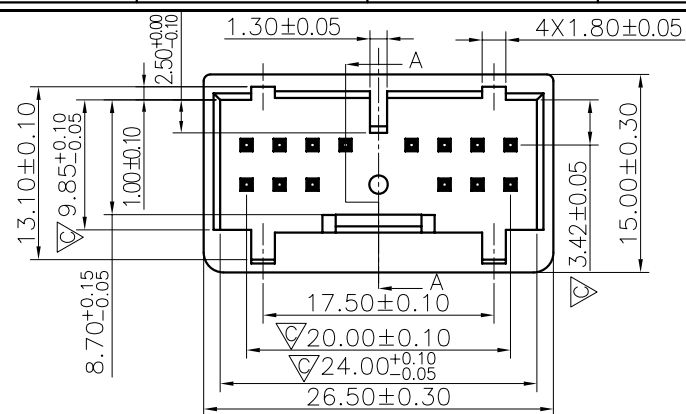
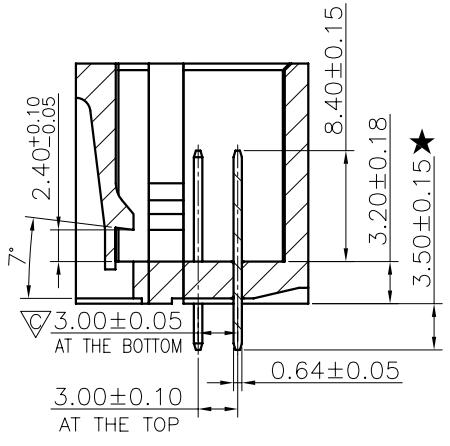
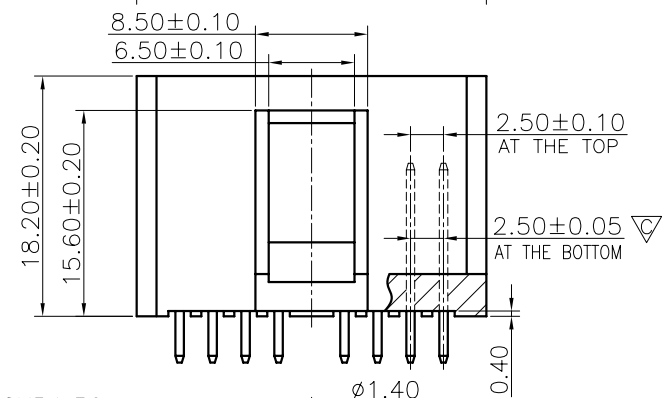


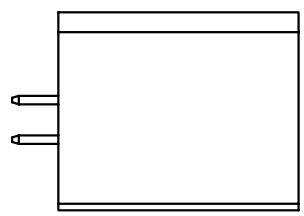
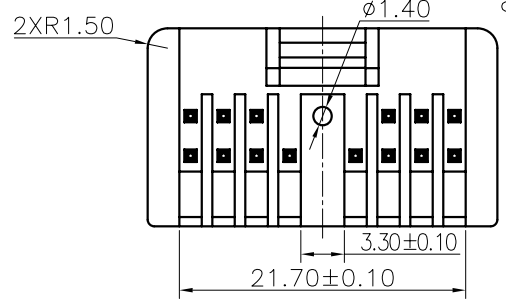
REV.	LOCAS.	DESCRIPTION	DATE	DRAWN
A	NEW	INTERIM INITIAL RELEASE.	2018.05.04	賴 民



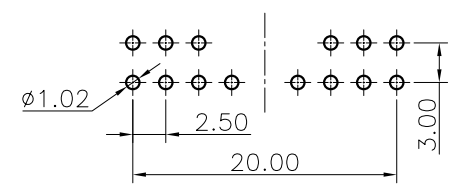
Specifications  
 Current Rating:3.0Amp  
 Insulation Resistance:1000MΩMin.  
 Dielectric Withstanding Voltage:600VAC  
 Contact Resistance:20mΩMax.  
 Operating Temperature:-40°C to +105°C  
 Materials  
 Contact Material:Brass  
 Insulator Material:Thermoplastic, UL 94V-0  
 PBT or the equivalent material



☆ All materials must meet Greenconn hazardous substances control standards.  
 ★: Critical Characteristics, indicates product characteristics, functionalities, and manufacturing processes regarding to customer's specifications  
 ☆: Safety Features indicates product characteristics, functionalities, and manufacturing processes complying to legal regulations stated by local government



Recommended P.C.Board Layout  
 (Tolerance:±0.05)



Ordering Information  
 G PGA201 - 08 XX A 900 A 1 Z X  
 No. of Pins per Row 08    Standard Plating J3=Tin    Color 1=Black    Standard Packing C=Tube

Greenconn P/N	Customer	Remarks
GPGA201-08J3A900A1ZC	A053	Automotive Connector

<b>格菱股份有限公司</b> <b>Greenconn Corporation</b>				GENERAL TOLERANCE		DESIGNED: 賴 民	DATE: 2018.05.04	DWG. NO.	TITLE: 2.50 BOX HEADER DUAL ROWS DIP TYPE CONNECTOR
				X.*±5.0°	X.±0.30	CHECKED:	DATE:	GPGA201-CA900AZ	
REV. A	UNIT. mm	SCALE. 2:1	PAGE. 1/1	X.*±3.0°	.X±0.25	CO SIGNED: 劉北平	DATE: 2018.05.04	PART NO.	
				.XX*±2.0°	.XX±0.15	APPROVED:	DATE:	GPGA201-08XXA900A1ZX	
				.XXX*±1.0°	.XXX±0.10				