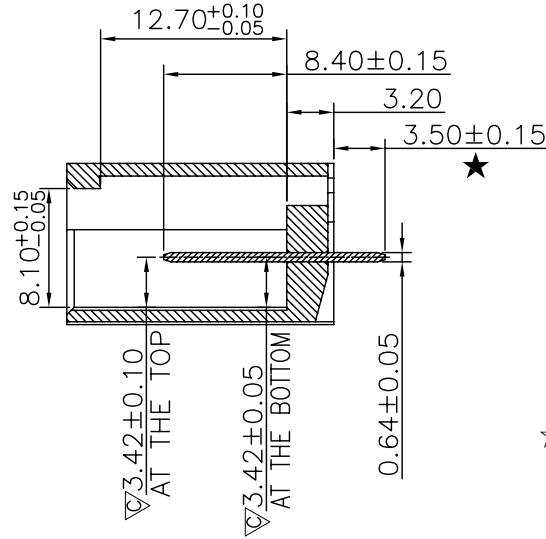
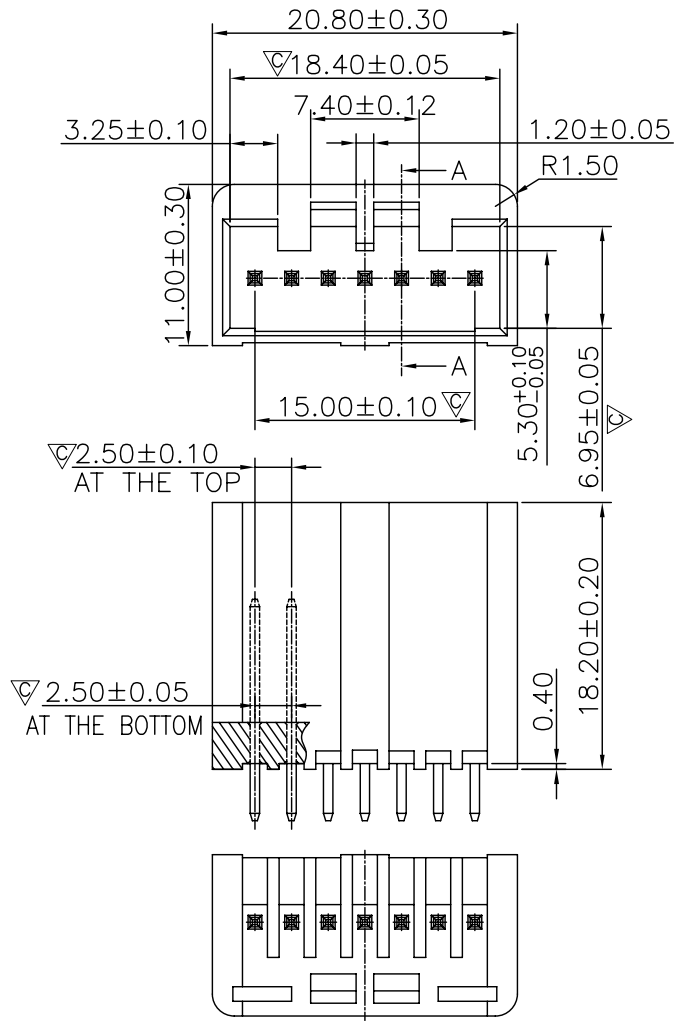
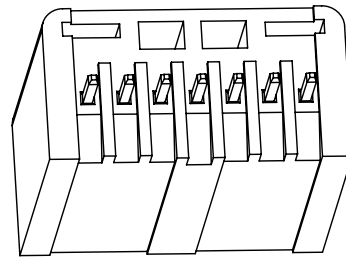


REV.	LOCAS.	DESCRIPTION	DATE	DRAWN
01	NEW	BATCH PRODUCTION INITIAL RELEASE.	2018.10.20	張春進



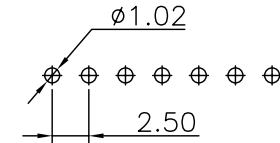
SECTION A-A



Specifications
 Current Rating:3.0Amp
 Insulation Resistance:1000MΩMin.
 Dielectric Withstanding Voltage:600VAC
 Contact Resistance:20mΩMax.
 Operating Temperature:-40°C to +105°C
 Materials
 Contact Material:Brass
 Insulator Material:Thermoplastic, UL 94V-0
 PBT or the equivalent material

☆ All materials must meet Greenconn hazardous substances control standards.
 "★": Critical Characteristics, functionalities, and manufacturing processes regarding to customer's specifications
 "☆": Safety Features functionalities, and manufacturing processes complying to legal regulations stated by local government

Recommended P.C.Board Layout
 (Tolerance:±0.05)



Ordering Information
 G PGA105 - 07 XX A 001

No. of Pins per Row
 07

Standard Plating
 J3=Tin

Color
 1=Black

Standard Packing
 C=Tube

Greenconn P/N	Customer	Remarks
GPGA105-07J3 A001A1ZC	A053	Automotive Connector

格稜股份有限公司
Greenconn Corporation

GENERAL TOLERANCE

X.*±5.0°	X.±0.30
.X*±3.0°	.X±0.25
.XX*±2.0°	.XX±0.15
.XXX*±1.0°	.XXX±0.10

DESIGNED: 張春進

DATE: 2018.10.20

CHECKED: 曹 熙

DATE: 2018.10.20

CO SIGNED: 廖世龍

DATE: 2018.10.20

APPROVED: 李 輝

DATE: 2018.10.20

DWG. NO.

GPGA105-CA1AZ

PART NO.

GPGA105-07XX A001A1ZC

TITLE.

2.50 BOX
 HEADER SINGLE ROW
 DIP TYPE CONNECTOR

REV.	UNIT.	SCALE.	PAGE.
01	mm	2:1	1/1