

This document contains proprietary information and such information may not be disclosed to others for any purposes, not used for sales/marketing/procurement purposes without written permission

REV	DESCRIPTION OF REVISION	ECN NO.	BY	DATE	APPROVED
A	Initial Release	—	H.wei	19/03/17	19/03/17

**1 Electrical**

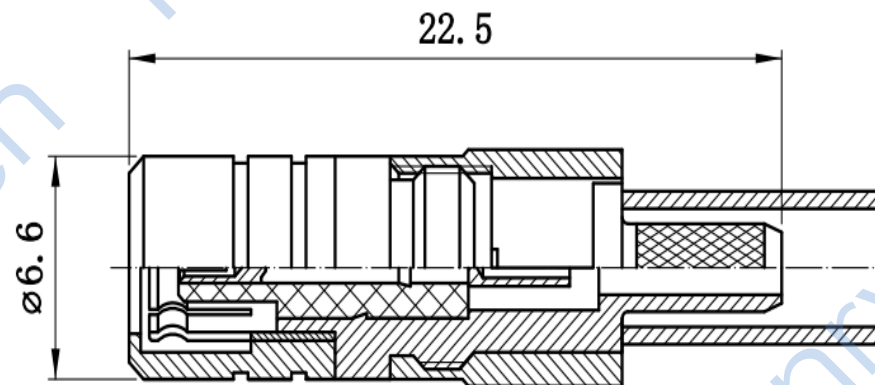
- 1.1 Impedance: 50 Ω
- 1.2 Frequency: 0~3GHz
- 1.3 Working voltage: ≤250V
- 1.4 Insulation resistance: ≥1000M Ω
- 1.5 Dielectric strength: 750V
- 1.6 Center Contact resistance: ≤ 6m Ω
- 1.7 Outer contact resistance: ≤ 1m Ω

**2 Environmental&Mechanical**

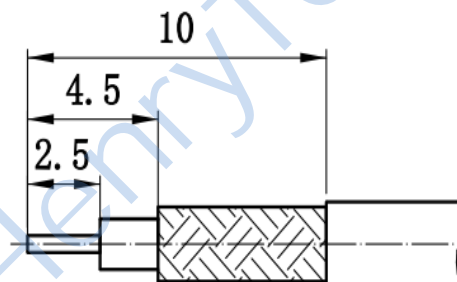
- 2.1 Temperature range -45℃~85℃
- 2.2 RoHS Compliant
- 2.3 Durability 500 cycles

**3 Materials&plating**

- 3.1 Inner Contact: Beryllium copper, gold plating
- 3.1 Outer Contact: Brass, gold plated
- 3.3 Insulators: Teflon
- 3.4 Contact spring: Beryllium copper, gold plating
- 3.5 Ferrule crimp: Copper,, nickel plating



Cable Stripping Dimension



**Notes:**

- 1. ALL SPECIFICATIONS ARE SUBJECT TO CHANGE NOTICE AT ANY TIME
- 2. CUSTOMER OUTLINE DRAWING FOR REFERENCE ONLY

DRAWN: H.wei 19/03/17 ENGINEER: L.yu 19/03/17 APPROVED: W.yi 19/03/17 TOLERANCES UNLESS OTHERWISE SPECIFIED X ±0.50 X ±0.20 XX ±0.10 ANGLES ±1°	<b>TITLE:</b> RF Coaxial Connector SMB Female Straight Connector Sky Window for RG316/RG316D Cable	
<b>PART NO:</b> HL-SMB-K3DY	DIMENSION IN MILLIMETERS (mm)	<b>SIZE:</b> A4 <b>SCALE:</b> N/A <b>SHEET:</b> 1/1 <b>REV:</b> A