

HR661520E

Electrical Specification @25°C

RoHS Compliant (Pb Free)

Operating Temperature Range: -40°C ~ +85°C

Isolation: 3000Vrms 0.5mA 60sec (Primary to Secondary)

OCL: 350uH Typical @100KHz 100mV with 8mADC

Insertion Loss: -1.2dB Maximum @1MHz ~ 100MHz

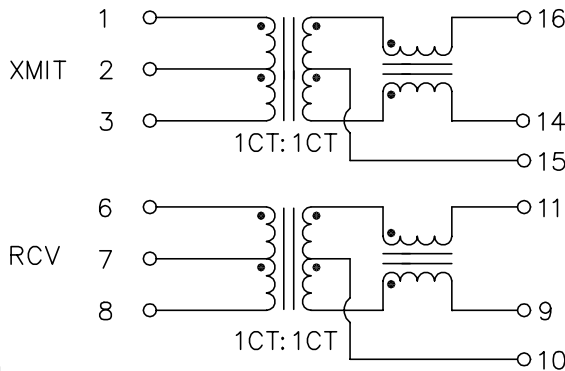
Return Loss: -16dB Minimum @1MHz ~ 30MHz / -13dB Minimum @30MHz ~ 60MHz

-11dB Minimum @60MHz ~ 80MHz / -10dB Minimum @80MHz ~ 100MHz

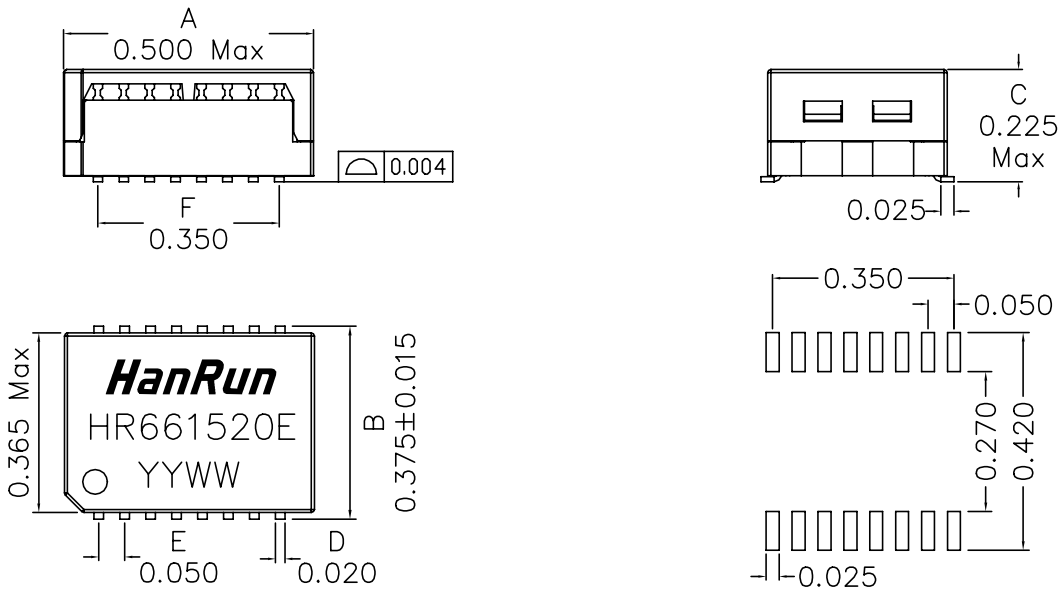
Differential to Common Mode Rejection: -30dB Minimum @1MHz ~ 100MHz

Crosstalk: -30dB Typical @1MHz ~ 100MHz

Schematics



Mechanical Dimensions



SUGGESTED PCB PAD LAYOUT

Case material: LCP Black UL94V-0

Base material: DAP Black UL94V-0

PIN material: Phosphor Bronze, plating tin

Dimensions in inches, Unless otherwise specified, Tol.: .xxx ±0.010

REV.: 00