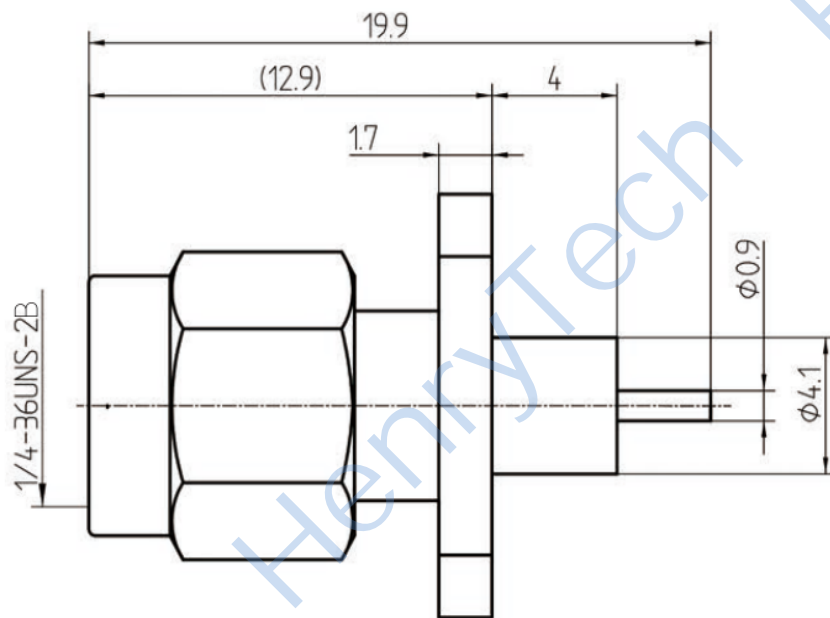
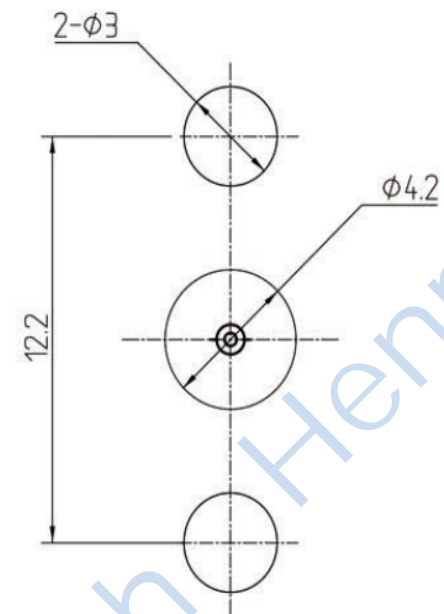


This document contains proprietary information and such information may not be disclosed to others for any purposes, not used for sales/marketing/procurement purposes without written permission

REV	DESCRIPTION OF REVISION	ECN NO.	BY	DATE	APPROVED
A	Initial Release	—	H.wei	19/03/17	19/03/17



### Mounting Hole



#### 1 Electrical

- 1.1 Impedence 50 Ω
- 1.2 Frequency 0~6GHz
- 1.2 Dielectric withstanding voltage 1000V (volts RMS)
- 1.3 Center contact resistance ≤ 3M Ω
- 1.4 Outer contact resistance ≤ 2M Ω
- 1.5 Insulation resistance: ≥ 5000M Ω
- 1.6 VSWR 1.2:1

#### 2 Environmental&Mechanical

- 2.1 Temperature range -45°C~85°C
- 2.2 RoHs Compliant YES
- 2.3 Durability >500 cycles

#### 3 Materials&plating

- 3.1 Body: Brass; Gold, plated
- 3.2 Insulator: Teflon
- 3.3 Contact Pin: Brass; Gold,plated

#### Notes:

- 1. ALL SPECIFICATIONS ARE SUBJECT TO CHANGE NOTICE AT ANY TIME
- 2. CUSTOMER OUTLINE DRAWING FOR REFERENCE ONLY

DRAWN:	H.wei 19/03/17
ENGINEER:	L.yu 19/03/17
APPROVED:	W.yi 19/03/17
TOLERANCES UNLESS OTHERWISE SPECIFIED	
X	±0.50
X	±0.20
XX	±0.10
ANGLES	±1°

TITLE:  
RF Coaxial Connector  
SMA Male Flange Connector  
Terminal



DIMENSION IN MILLIMETERS (mm)

PART NO:	HL-SMA-JFD10	SIZE:	A4	SCALE:	N/A	SHEET:	1/1	REV:	A
----------	--------------	-------	----	--------	-----	--------	-----	------	---