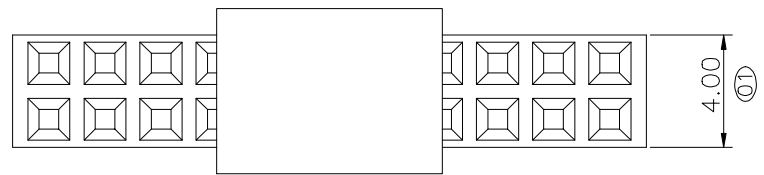


F  
E  
D  
C  
B  
A



Dim.D	NOTE
4.00mm	02~03Pins
8.05mm	04~40Pins

REV.	LOCAS.	DESCRIPTION	DATE	DRAWN
01	NEW	INITIAL RELEASE.	2013.05.25	邱明周
02	△	依業務要求增加車載料號	2022.05.13	郭康
03	△	依業務要求更改車載料號	2022.07.07	何東華

Specifications  
 Current Rating:2.0Amp  
 Insulation Resistance:1000MΩMin.  
 Dielectric Withstanding Voltage500VAC  
 Contact Resistance:20mΩMax.  
 Operating Temperature:-40°C to +105°C  
 Materials

Contact Material:Phosphor Bronze  
 Insulator Material:High Temperature Thermoplastic, UL 94V-0 Nylon (Halogen Free) or the equivalent material

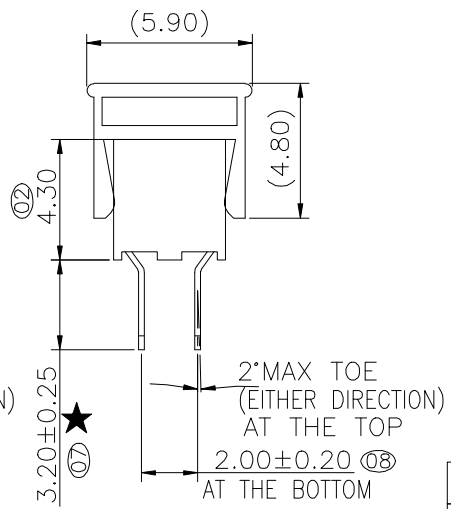
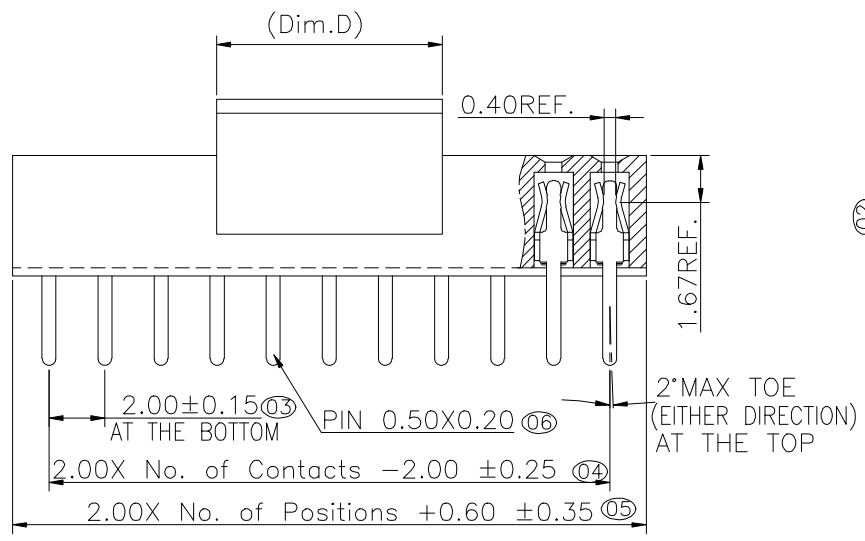
☆ All materials must meet Greenconn requirement for environment protection.

"★": Critical Characteristics. indicates product characteristics, functionalities, and manufacturing processes regarding to customer's specifications

"☆": Safety Features indicates product characteristics, functionalities, and manufacturing processes complying to legal regulations stated by local government



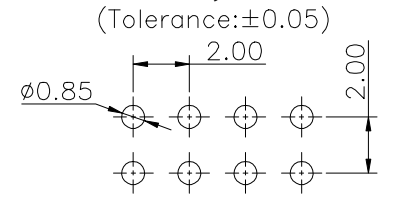
Greenconn P/N	Customer	Remarks
CSFA208-0202A017R1AF	A062	Automotive Connector



### Ordering Information



### Recommended P.C.Board Layout



<p>Website: www.greenconn.com E-mail: sales@greenconn.com</p>	3RD.ANG PROJ.	GENERAL TOLERANCE		DESIGNED: 何東華	DATE: 2022.07.07	DWG. NO. CSFA208-CA17RA	TITLE. 2.00 FEMALE HEADER DUAL ROWS DIP TYPE CONNECTOR
		X' ± 5.0'	X ± 0.30	CHECKED: 張春進	DATE: 2022.07.07		
	REV. 03	UNIT. mm	SCALE. 4:1	PAGE. 1/1	APPROVED: 邱國廷	DATE: 2022.07.07	PART NO. CSFA208-XXXX A017R1AX