



**BNC Female Bulkhead Mount Hermetically Sealed Connector
Solder Attachment Spade Terminal, .350 inch D Hole**

**RF Connectors
Technical Data Sheet**

PE4077

Configuration

- BNC Female Connector
- MIL-STD-348A
- 50 Ohms
- Straight Body Geometry
- Connector Interface Types: Spade
- Bulkhead

Features

- Max. Operating Frequency 1 GHz
- Good VSWR of 1.3:1
- Gold Plated Brass Contact
- 30μ in. minimum contact plating
- Hermetically Sealed

Applications

- General Purpose Test
- Rack and Panel Mount Applications

Description

Pasternack's PE4077 BNC female bulkhead hermetically sealed connector with solder attachment Spade terminal (.350 inch D hole) is part of our full line of RF components available for same-day shipping. Our BNC female connector operates up to a maximum frequency of 1 GHz and offers good VSWR of 1.3:1. This BNC bulkhead connector allows designers to create external connections on their product enclosures, and can be used in a variety of other rack mount and panel mount applications.

Our BNC female bulkhead connector PE4077 datasheet specifications and drawing with dimensions are shown below in this PDF. Pasternack's broad catalog of RF, microwave and millimeter wave connectors allows designers to configure and customize their signal connections however they like. Whether the need is to provide an I/O for a board design, or simply create a custom cable assembly configuration, Pasternack has the right connector for the job. Pasternack can also expertly build your custom cable assemblies for you and ship same-day.

Electrical Specifications

Description	Minimum	Typical	Maximum	Units
Frequency Range	DC		1,000	MHz
VSWR			1.3:1	
Operating Voltage (AC)			500	Vrms

Mechanical Specifications

Size	
Length	1.21 in [30.73 mm]
Width/Dia.	0.591 in [15.01 mm]
Weight	0.029 lbs [13.15 g]

Click the following link (or enter part number in "SEARCH" on website) to obtain additional part information including price, inventory and certifications: [BNC Female Bulkhead Mount Hermetically Sealed Connector Solder Attachment Spade Terminal, .350 inch D Hole PE4077](#)



**BNC Female Bulkhead Mount Hermetically Sealed Connector
Solder Attachment Spade Terminal, .350 inch D Hole**

**RF Connectors
Technical Data Sheet**

PE4077

Material Specifications

Description	Material	Plating
Contact	Brass	Gold 30μ in. minimum
Insulation	PTFE	
Outer Conductor	Brass	Nickel 100μ in. minimum
Body	Brass	Nickel 100μ in. minimum

Environmental Specifications

Temperature

Operating Range

-65 to +165 deg C

Hermetic Seal

Waterproof leak test pressure 7 kg/cm² minimum

Compliance Certifications (see [product page](#) for current document)

Plotted and Other Data

Notes:

BNC Female Bulkhead Mount Hermetically Sealed Connector Solder Attachment Spade Terminal, .350 inch D Hole from Pasternack Enterprises has same day shipment for domestic and International orders. Our RF, microwave and millimeter wave products maintain a 99.4% availability and are part of the broadest selection in the industry.

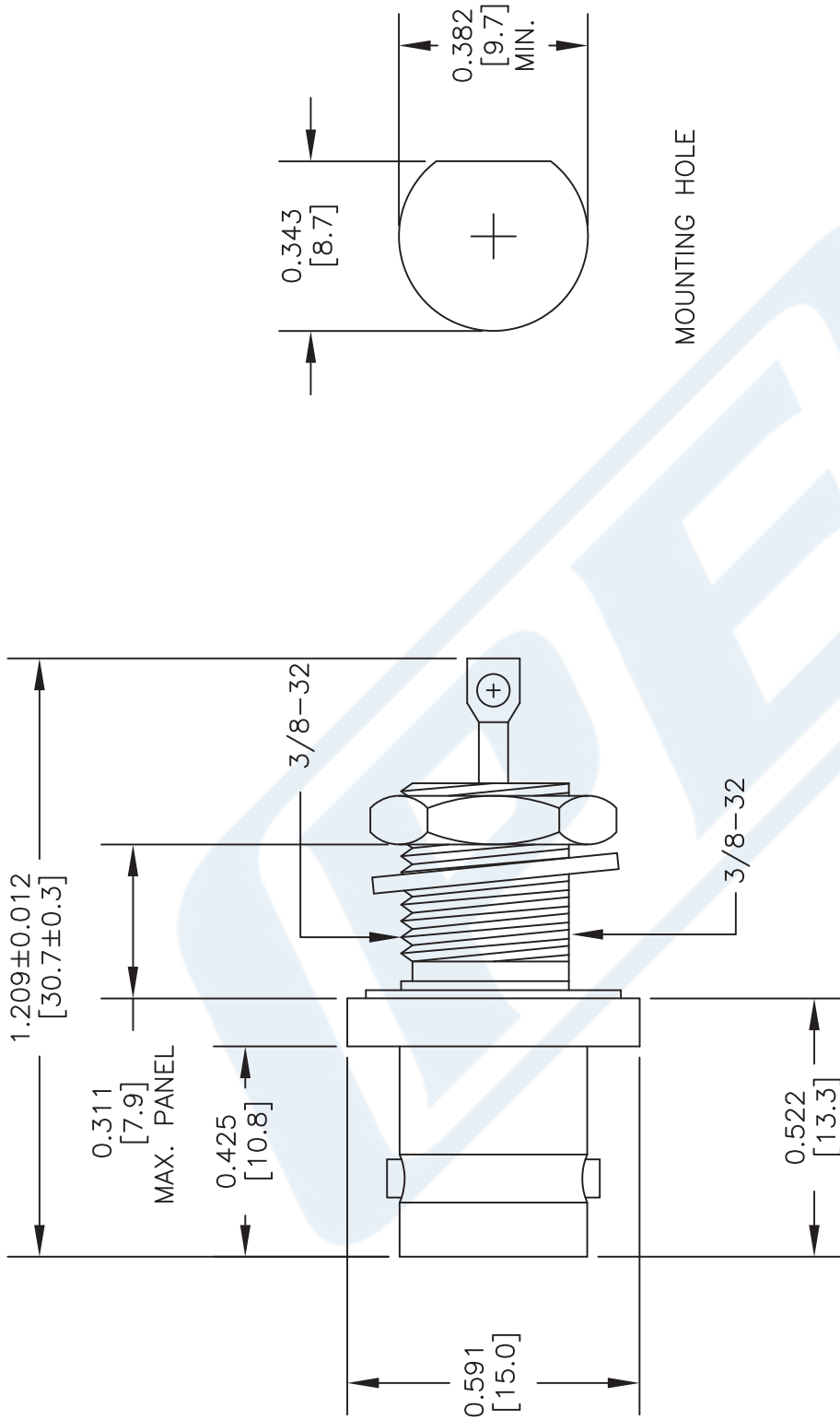
Click the following link (or enter part number in "SEARCH" on website) to obtain additional part information including price, inventory and certifications: [BNC Female Bulkhead Mount Hermetically Sealed Connector Solder Attachment Spade Terminal, .350 inch D Hole PE4077](#)

URL: <https://www.pasternack.com/bnc-female-standard-turret-terminal-connector-pe4077-p.aspx>

The information contained in this document is accurate to the best of our knowledge and representative of the part described herein. It may be necessary to make modifications to the part and/or the documentation of the part, in order to implement improvements. Pasternack reserves the right to make such changes as required. Unless otherwise stated, all specifications are nominal. Pasternack does not make any representation or warranty regarding the suitability of the part described herein for any particular purpose, and Pasternack does not assume any liability arising out of the use of any part or documentation.

PE4077 CAD Drawing

BNC Female Bulkhead Mount Hermetically Sealed Connector
Solder Attachment Spade Terminal, .350 inch D Hole



MOUNTING HOLE

STANDARD TOLERANCES

- .X ±0.2
- .XX ±0.1
- .XXX ±0.05

*STANDARD TOLERANCES APPLY ONLY TO DIMENSIONS IN INCHES



THE ENGINEER'S RF SOURCE
Pasternack Enterprises, Inc.
P.O. Box 16759 | Irvine | CA | 92623
Phone: (949) 261-1920 | Fax: (949) 261-7451
Website: www.pasternack.com | E-Mail: sales@pasternack.com

DWG TITLE

PE4077

FSCM NO. 53919

NOTES:
1. UNLESS OTHERWISE SPECIFIED ALL DIMENSIONS ARE NOMINAL.
2. ALL SPECIFICATIONS ARE SUBJECT TO CHANGE WITHOUT NOTICE AT ANY TIME.
3. DIMENSIONS ARE IN INCHES [mm].

CAD FILE 050216

SCALE N/A

SIZE A

3045