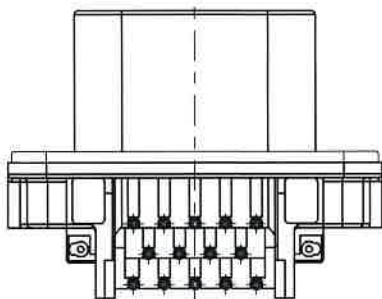
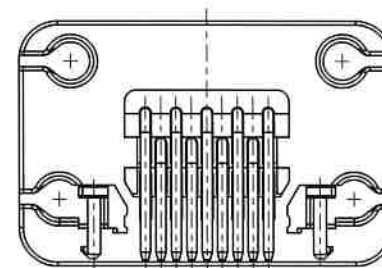
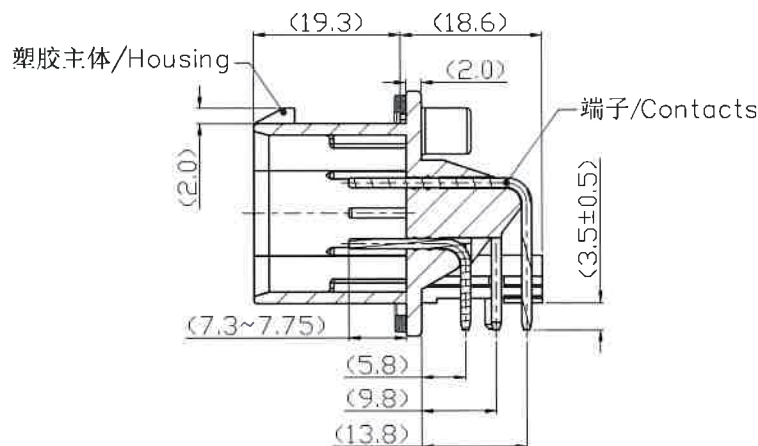
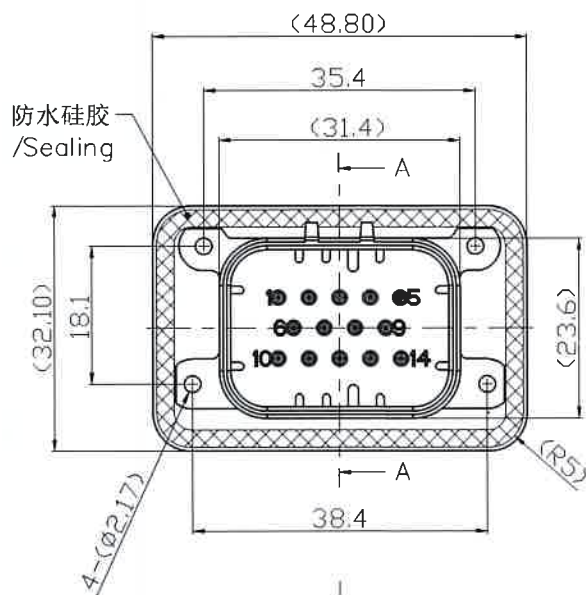
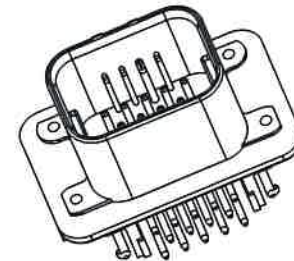
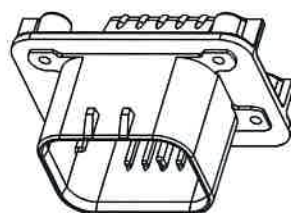
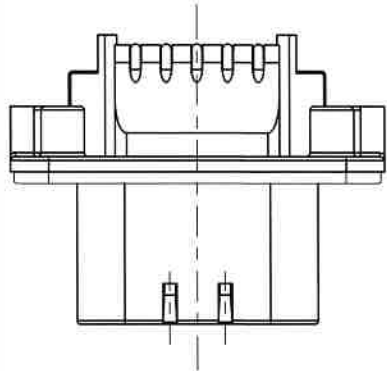


REV.	DESCRIPTION	DESIGN	APPROVAL	DATE
A0	NEW VERSION	Dong	Jerry	


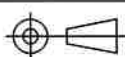


SECTION: A-A

广东济德精密电子有限公司

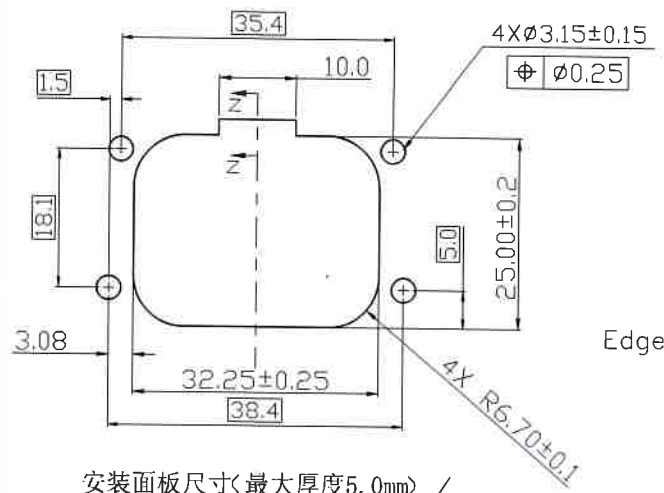
受控文件

日期: 2021年10月18日

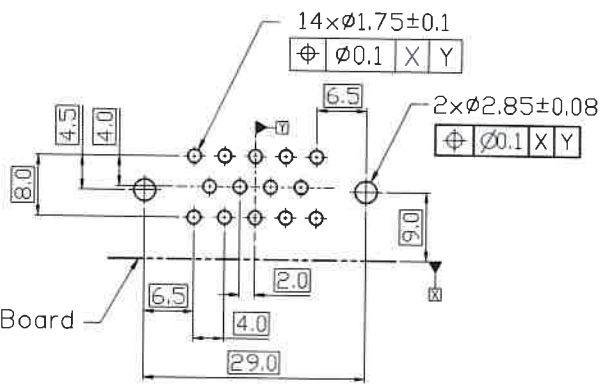
X \pm 0.35	X' \pm 3'	 Guangdong JiDe Precision Electronics Co., Ltd 广东济德精密电子有限公司	TITLE: 14 Pin horizontal with flange seal			PART NO. 99X-14X-X066		
.X \pm 0.25	.X' \pm 2'					DWG NO: C-99X-14X-X066		
.XX \pm 0.15	.XX' \pm 1'		APPD: Jerry	SCALE	SHEET			
.XXX \pm 0.10	.XXX' \pm /		CHKD: Ray	N/A	1/3	A0		
UNITS: mm		DRAW: Colmyle						

The information in this document is property of JIDC company and should not be copied or reproduced in any other way, without written permission.

REV.	DESCRIPTION	DESIGN	APPROVAL	DATE
A0	NEW VERSION	Dong	Jerry	

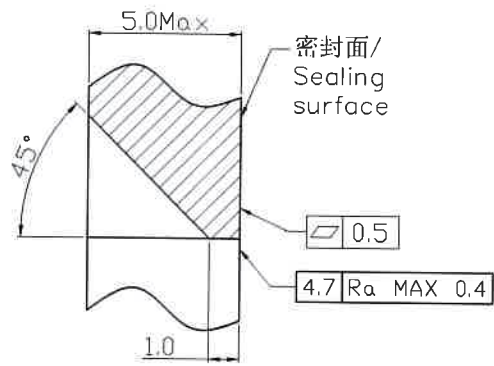


安装面板尺寸(最大厚度5.0mm) /
Mounting panel size
(maximum gauge 5.0mm)

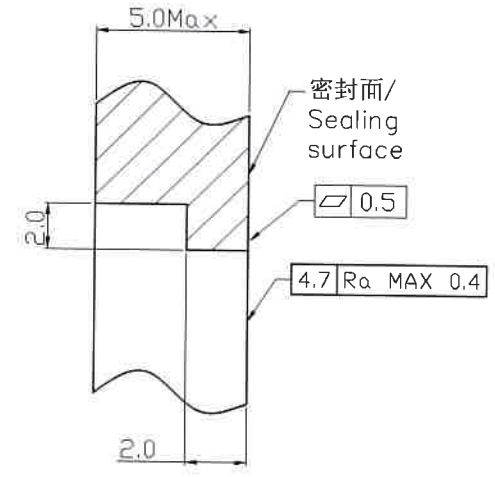


PCB LAYOUT

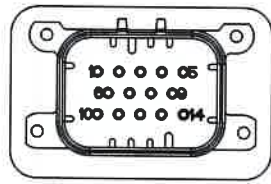
广东济德精密电子有限公司
 受控文件
 日期: 2021年10月18日



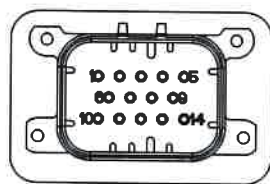
Section/截面 Z-Z
Optional Construction IF Panel
Thickness Is Greater Than 2.0
/厚度大于2.0(可选)
Scale/比例: 4: 1



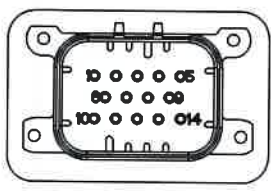
Section/截面 Z-Z
Optional Construction IF Panel
Thickness Is Greater Than 2.0
/厚度大于2.0(可选)
Scale/比例: 4: 1



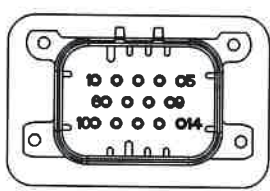
99X-14X-5066



99X-14X-2066



99X-14X-9066



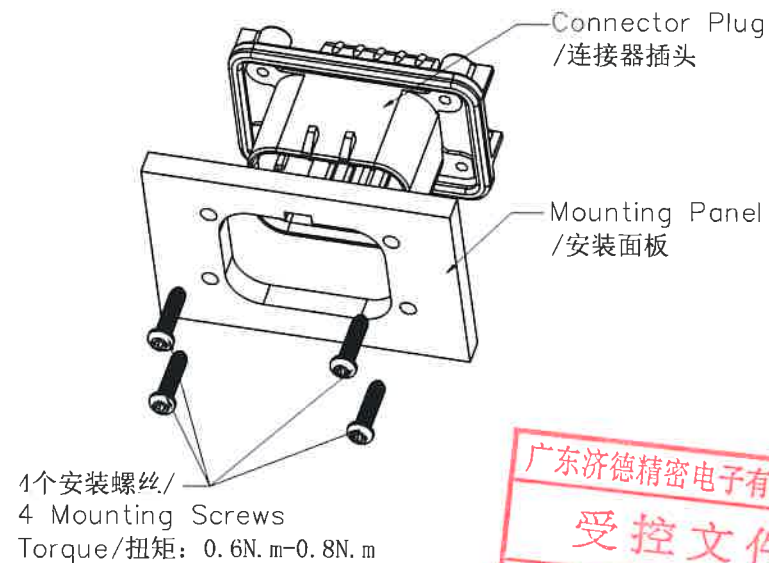
99X-14X-7066

.X± 0.35	.X'± 3"	Guangdong JiDe Precision Electronics Co., Ltd 广东济德精密电子有限公司	TITLE: 14 Pin horizontal with flange seal		PART NO. 99X-14X-X066							
.X± 0.25	.X'± 2"		APPD: Jerry		DWG NO: C-99X-14X-X066							
.XX± 0.15	.XX'± 1"		CHKD: Ray		<table border="1"> <tr> <td>SCALE</td> <td>SHEET</td> <td>REV.</td> </tr> <tr> <td>N/A</td> <td>2/3</td> <td>A0</td> </tr> </table>		SCALE	SHEET	REV.	N/A	2/3	A0
SCALE	SHEET		REV.									
N/A	2/3	A0										
.XXX± 0.10	.XXX'± 1"	DRAW: Colinge										
UNITS: mm		The information in this document is property of JIDC company and should not be copied or reproduced in any other way, without written permission.										

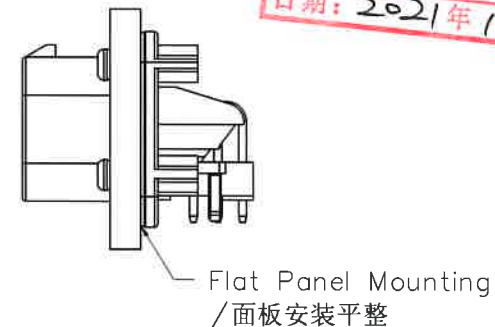
REV.	DESCRIPTION	DESIGN	APPROVAL	DATE
A0	NEW VERSION	Dong	Jerry	

Product specification / 物料规格表:

NO	Part number (With seal)	Part number (Without seal)	Color	Plating
1	992-141-7066	991-141-7066	Natural	Tin
2	992-143-7066	991-143-7066		Gold
3	992-141-5066	991-141-5066	Gray	Tin
4	992-143-5066	991-143-5066		Gold
5	992-141-9066	991-141-9066	Blue	Tin
6	992-143-9066	991-143-9066		Gold
7	992-141-2066	991-141-2066	Black	Tin
8	992-143-2066	991-143-2066		Gold





广东济德精密电子有限公司
 受控文件
 日期: 2021年10月18日



NOTES:

- Material / 材质:
Housing / 塑胶主体: PBT, UL94 V-0
Contacts / 端子: Copper alloy / 铜合金, Tin or gold plated / 镀锡或镀金
- Rated current / 额定电流: 8A (Tin / 镀锡); 17A (Au / 镀金);
- Rated voltage / 额定电压: 250V AC
- Operating temperature / 操作温度: -40°C ~ +105°C (Tin / 镀锡);
-40°C ~ +125°C (Au / 镀金);
- Insulation voltage / 耐压: 1000V AC / minute,
- Insulation Resistance / 绝缘阻抗: 100MΩ (Min.)
- Contact resistance / 接触电阻: 10mΩ (Max.)
- Mounting screws are 3.0 self-tapping screws with torque range 0.6N.m-0.8N.m / 安装螺钉采用3.0自攻螺丝, 扭矩范围0.6N.m-0.8N.m
- The product must meet the requirements of RoHS.
/ 产品符合RoHS环保要求.

X.± 0.35	X.*± 3°		Guangdong JiDe Precision Electronics Co., Ltd 广东济德精密电子有限公司		
.X± 0.25	.X*± 2°				
.XX± 0.15	.XX*± 1°				
.XXX± 0.10	.XXX*± /				
UNITS:	mm	TITLE: 14 Pin horizontal with flange seal		PART NO. 99X-14X-X066	
The information in this document is property of JiDe company and should not be copied or reproduced in any other way, without written permission.		APPD: Jerry		DWG NO: C-99X-14X-X066	
		CHKD: Rui			
		DRAW: Colby			
		SCALE	SHEET	REV.	
		N/A	3/3	A0	