



N Female Right Angle Bulkhead Mount Connector Solder Attachment Thru Hole PCB, .596 inch D Hole

RF Connectors Technical Data Sheet

PE44398

Configuration

- N Female Connector
- MIL-STD-348A
- 50 Ohms
- Right Angle Body Geometry
- Thru Hole Interface Type
- Solder Attachment
- Bulkhead

Features

- Max. Operating Frequency 10 GHz
- Silver Plated Beryllium Copper Contact
- 70 µin minimum contact plating

Applications

- General Purpose Test
- Rack and Panel Mount Applications
- PCB Applications

Description

Pasternack's PE44398 type N female right angle bulkhead connector with solder attachment for thru hole PCB (.596 inch D hole) is part of our full line of RF components available for same-day shipping. Our type N female connector operates up to a maximum frequency of 10 GHz. Its right angle body geometry allows for easier connections in tight spaces. This type N bulkhead connector allows designers to create external connections on their product enclosures, and can be used in a variety of other rack mount and panel mount applications.

Our type N female right angle bulkhead connector PE44398 datasheet specifications and drawing with dimensions are shown below in this PDF. Pasternack's broad catalog of RF, microwave and millimeter wave connectors allows designers to configure and customize their signal connections however they like. Whether the need is to provide an I/O for a board design, or simply create a custom cable assembly configuration, Pasternack has the right connector for the job. Pasternack can also expertly build your custom cable assemblies for you and ship same-day.

Electrical Specifications

Description	Minimum	Typical	Maximum	Units
Frequency Range	DC		10	GHz
Operating Voltage (AC)			1,000	Vrms
Dielectric Withstanding Voltage (AC)			2,500	Vrms

Mechanical Specifications

Size

Length	1.631 in [41.43 mm]
Width/Dia.	0.748 in [19.00 mm]
Height	1.04 in [26.42 mm]
Weight	0.139 lbs [63.05 g]

Click the following link (or enter part number in "SEARCH" on website) to obtain additional part information including price, inventory and certifications: [N Female Right Angle Bulkhead Mount Connector Solder Attachment Thru Hole PCB, .596 inch D Hole PE44398](#)



N Female Right Angle Bulkhead Mount Connector Solder Attachment Thru Hole PCB, .596 inch D Hole

RF Connectors Technical Data Sheet

PE44398

Material Specifications

Description	Material	Plating
Contact	Beryllium Copper	Silver 70 µin minimum
Insulation	PTFE	
Body	Brass	Nickel 100 µin minimum

Environmental Specifications

Temperature

Operating Range -65 to +165 deg C

Compliance Certifications (see [product page](#) for current document)

Plotted and Other Data

Notes:

N Female Right Angle Bulkhead Mount Connector Solder Attachment Thru Hole PCB, .596 inch D Hole from Pasternack Enterprises has same day shipment for domestic and International orders. Our RF, microwave and millimeter wave products maintain a 99% availability and are part of the broadest selection in the industry.

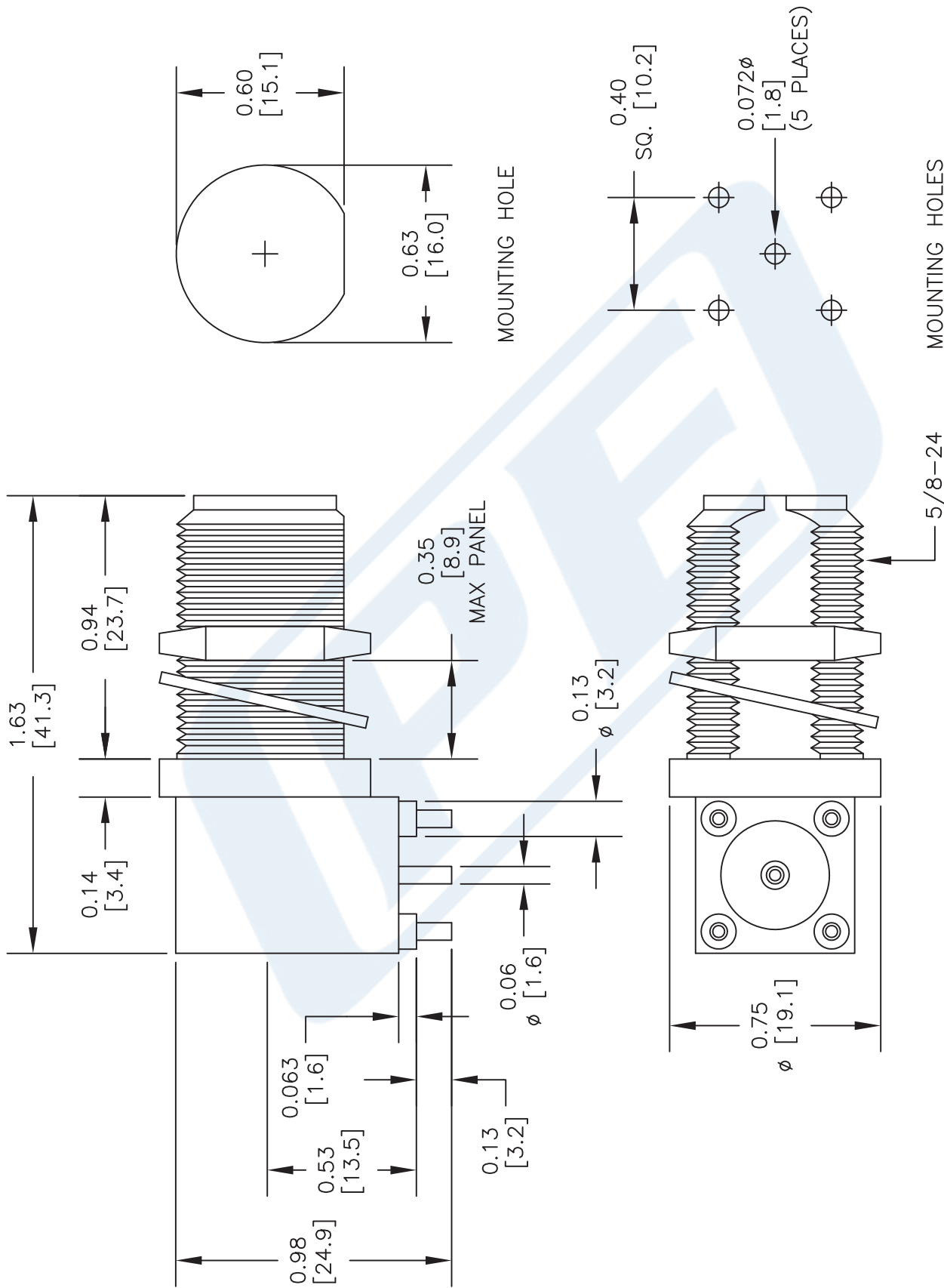
Click the following link (or enter part number in "SEARCH" on website) to obtain additional part information including price, inventory and certifications: [N Female Right Angle Bulkhead Mount Connector Solder Attachment Thru Hole PCB, .596 inch D Hole PE44398](#)

URL: <https://www.pasternack.com/n-female-standard-thru-hole-pcb-connector-pe44398-p.aspx>

The information contained in this document is accurate to the best of our knowledge and representative of the part described herein. It may be necessary to make modifications to the part and/or the documentation of the part, in order to implement improvements. Pasternack reserves the right to make such changes as required. Unless otherwise stated, all specifications are nominal. Pasternack does not make any representation or warranty regarding the suitability of the part described herein for any particular purpose, and Pasternack does not assume any liability arising out of the use of any part or documentation.

PE44398 CAD Drawing

N Female Right Angle Bulkhead Mount Connector Solder
Attachment Thru Hole PCB, .596 inch D Hole



DWG TITLE

PE44398

- NOTES:
1. UNLESS OTHERWISE SPECIFIED ALL DIMENSIONS ARE NOMINAL.
 2. ALL SPECIFICATIONS ARE SUBJECT TO CHANGE WITHOUT NOTICE AT ANY TIME.
 3. DIMENSIONS ARE IN INCHES [mm].
 4. FITS MIL-C-17 AND EQUIVALENT CABLES.

PE PASTERNAK®
THE ENGINEER'S RF SOURCE
Pasternack Enterprises, Inc.
P.O. Box 16759 | Irvine | CA | 92623
Phone: (949) 261-1920 | Fax: (949) 261-7451
Website: www.pasternack.com | E-Mail: sales@pasternack.com

FSCM NO. 53919

CAD FILE 070314

SCALE N/A

SIZE A

2233