



产品承认书

SPECIFICATION FOR APPROVAL

客户：
CUSTOMER:

品名：
PRODUCT NAME: 保险丝夹(环保产品)

型号规格：
MODEL: 5*20 镀锡黄铜夹

客户物料编码：
CUSTOMER PART NUMBER:

物料编码：
PART NUMBER: 9A. 520SWG1

编制 PREPARED BY	审核 CHECKED BY	批准 APPROVED BY	承认 SIGNATURE	审核 CHECKED BY	批准 APPROVED BY
ZhangKeLan 23. 10. 26					

供方签章：

SUPPLIER:

日期：

DATE:

客户签章：

CUSTOMER:

日期：

DATE:

备注：承认签章后请回复一份承认书（或复印件）给我司，其余由贵司存档。

Note: After confirming and stamping, please return it to our company and filing.

旭程电子（深圳）有限公司

XC Electronics (ShenZhen) Corp., Ltd.

广东省深圳市横岗镇荷坳金源工业区，邮编：518115

Jinyuan Industry Zone, Heao Henggang, Shenzhen, Guangdong, China, Post Code: 518115

Tel: +86-0755-83957099, 83957079; Fax: +86-0755-83957022

<http://www.xcfuse.com>

<http://www.xcfuse.cn.alibaba.com>

E-mail: hqxc@xcfuse.com



产品规格书 Fuses Specification

1. 适用范围 (Available range) :

本保险丝夹适用于 $\Phi 5.2 \times 20\text{mm}$ 保险管。

This specification defines the technical requirements of fuse Clip(9A for $\Phi 5.2 \times 20\text{mm}$) for Automatic Insertion.

2. 型号定义解释 (Model meaning) :

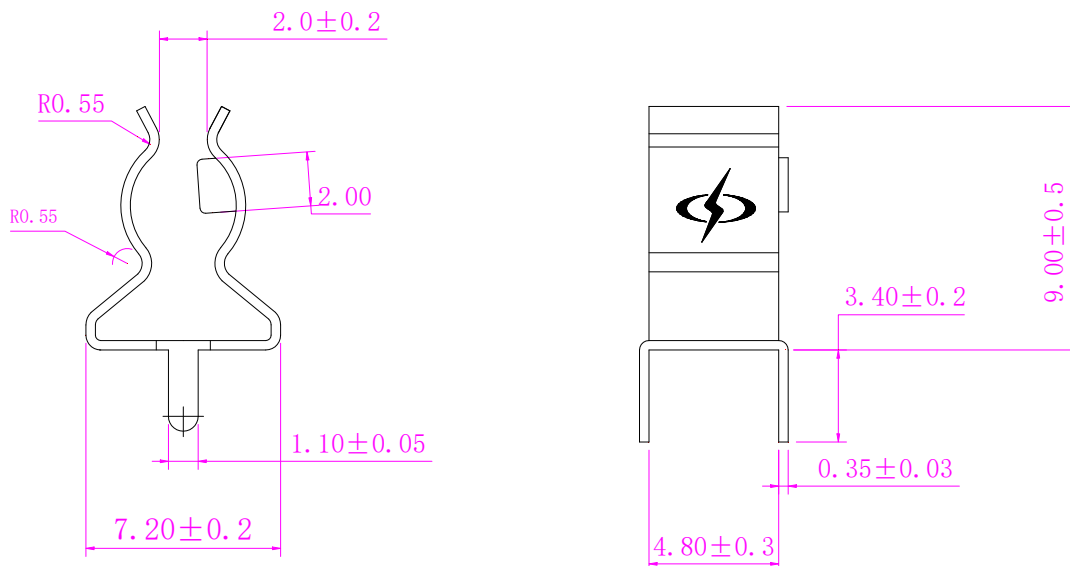
9A: $\Phi 5.2 \times 20\text{mm}$ 保险丝夹 (9A: $\Phi 5.2 \times 20\text{mm}$ fuse clip)

3. 适用文件 (Applicable Document) :UL 198G-No. 10

4. 尺寸与结构 (Size and Structure) :

4. 1 外形、结构尺寸 (The out view, construction and dimensions):

参考下图 Refer to the following figure.



编号 No.	部件 Part Name	材料 Material	备注 Remarks
①	镀锡铜夹 Fuse Clip	黄铜表面镀锡 Brass surface tin plating	



4.2 Construction

4.2.1 保险管应较容易装进保险丝夹。

This Clip shall be easy to insert of fuse.

4.2.2 保险丝夹表面棱角无毛刺，裂纹，损伤及不导电物质。

The metal surface shall not have sharp edge,splinter or something hurtful and shall be free effectively from other nonconducting substances on their outer surface.

4.2.3 保险丝夹引脚预先编好带并能用于设备自动插件。

The leg of the Clip shall be contacted by tape and shall be installed by an automatic equipment.

5. 机械特性(Mechanical characteristics)

保险丝夹应能承受下列试验：.

Fuse Clip should endure both of the following tests:

5.1 张力试验:保险丝夹口部合张 100 次后(合为口部两铜片接触，张为自然弹开)，口部尺寸变化不大于 10%。

Tension test: The wing area of Clip top is closed up to being touched each other.And than opened as originated. After repeating 100times of this cycle,the gap between the wings after the test shall not have changed by more than 10%.

5.2 插-拔试验(Pull-Push test)

5.2.1 使用超过 0.2kgf 将保险管撑开保险丝夹两耳朵。

After removing both sides stopper from the Clip,the Clip shall exceed maintenance strength 0.2kgf through from fuse Clip to the fuse one side when pushing in the side of fuse.

5.2.2 将保险丝夹安装在 PCB 上，保险管安装在保险丝夹上的插-拔力小于 3kgf.

After the Clip is to be fixed on a PCB ,Push-Pull strength with fuse(Φ 5. 2X20mm) in to the fuse Clip shall be less than 3kgf.

6. 电气特性(Electrical performance)

6.1 测试条件(Testing Ambient)

测试条件都应在下列大气条件下进行：

All tests should be carried out under the following conditions:



-温度(Surrounding temperature): 15°C ~ 35°C;

-相对湿度(Relative humidity): 45% ~ 75%;

-大气压力(Atmosphere pressure): 8.6x10⁴ Pa~ 1. 06x10⁵

6.2 接触电阻(Contact resistance)

将保险管(Φ5. 2X20mm)装入保险丝夹中装取3次后, 保险丝夹接触电阻不超过20mΩ。

After inserting and taking out the fuse from the Clip 3 times, the contact resistance of Clip shall not exceed 20mΩ.

7. 环保焊接条件 Soldering conditions(RoHS)

波峰焊/Wave solder:260°C ,≤10S

手工焊/Hand solder: 360°C,≤1S

8. 贮存条件 Storage conditions

贮存温度/Storage temperature: 5°C ~ 35°C

贮存湿度/Storage humidity:25% ~ 75%

贮存周期/Storage time:6 months

9. 使用温度 Operating Temperature


-25°C ~ +85°C

10. 信赖性试验 (Reliability test)

项目/Item	试验要求/Test Requirement	试验条件/Test Condition
盐雾试验 Salt Spay Test	试验后保险丝夹接触电阻小于40mΩ After test, the contact resistance value of the fuses shall be less than 40mΩ	盐水浓度: 5%, 测试时间: 48h Salt concentration: 5%, Test time: 48h
可焊性试验 Solder POT	试验后, 上锡覆盖面积大于90% After test, more than 90% of the surface area shall be coated uniformly.	锡铜或锡银铜环保焊锡, 温度 255 ± 5°C Lead-Free Solder (Sn/Cu Or Sn/Ag/Cu), temperature: 255 ± 5°C



11. 产品信息 (Information)

1) 厂标 (Trade mark): 

12. 包装 (2000PCS/ 袋、30000PCS/箱) 仅供参考, 以实际数量为准.

Packaging (2000PCS/Bag, 30000PCS/ External Carton)



2000PCS/袋



30000PCS/箱