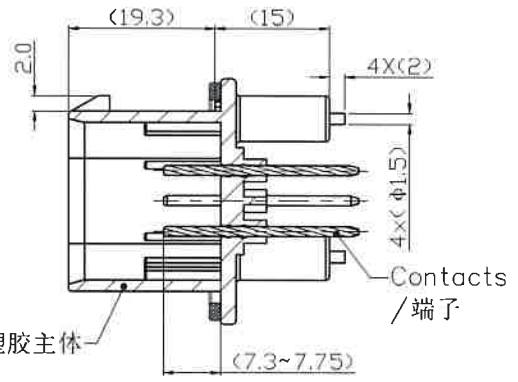
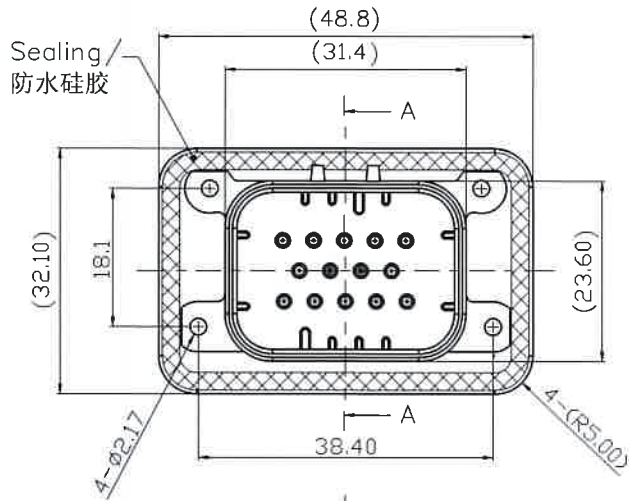
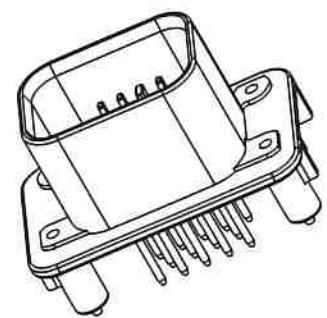
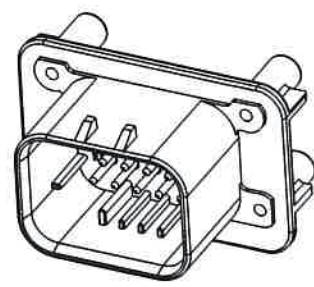
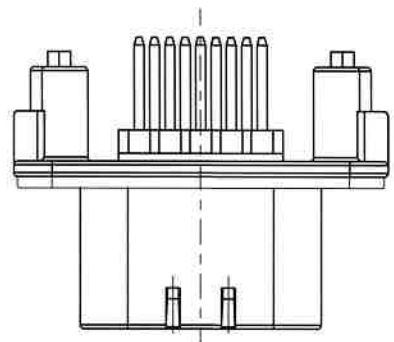
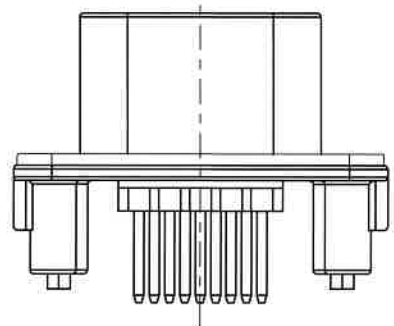
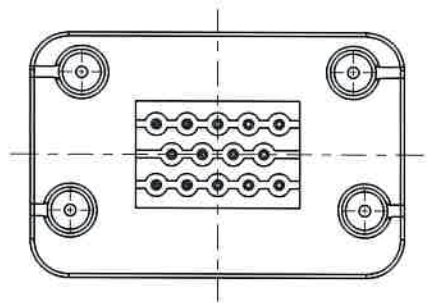



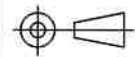
REV.	DESCRIPTION	DESIGN	APPROVAL	DATE
A0	NEW VERSION	Dong	Jerry	



SECTION: A-A



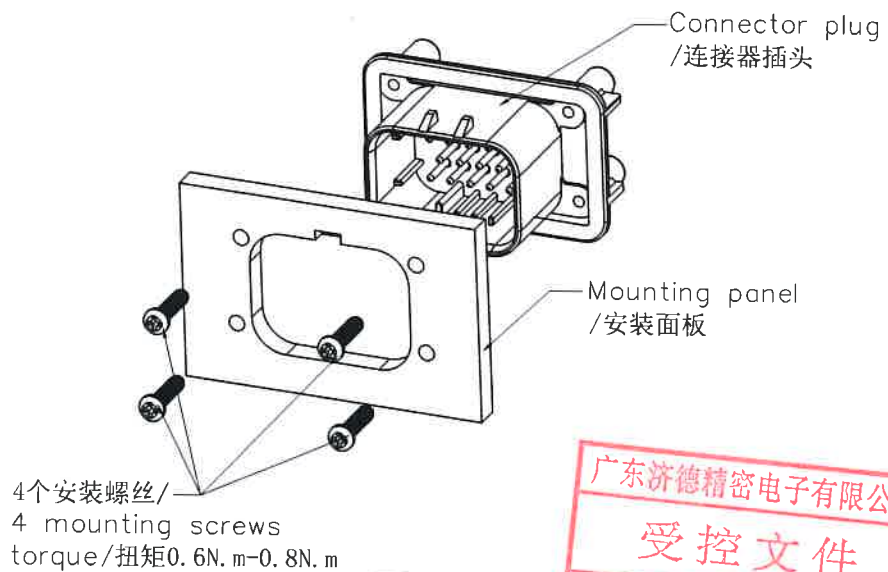
广东济德精密电子有限公司  
受控文件  
日期: 2021年10月18日

X± 0.35	X'± 3"	 Guangdong JiDe Precision Electronics Co., Ltd 广东济德精密电子有限公司	TITLE:	PART NO.
.X± 0.25	.X'± 2"		14 Pin vertical ,with flange seal	99X-14X-X0XX
.XX± 0.15	.XX'± 1"			
.XXX± 0.10	.XXX'± /			
UNITS:	mm			
The Information in this document is property of JIDC company and should not be copied or reproduced in any other way, without written permission.		APPD: <i>Jerry</i>	DWG NO:	
		CHKD: <i>Rony</i>	C-99X-14X-X0XX	
		DRAW: <i>Colmje</i>		SCALE SHEET REV.
			N/A	1/3 A0

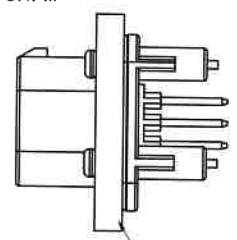
REV.	DESCRIPTION	DESIGN	APPROVAL	DATE
A0	NEW VERSION	Dong	Jerry	

Product specification / 物料规格表:

NO	Part number (With seal)	Part number (Without seal)	Color	Plating
1	992-141-2001	991-141-2067	Black	Tin
2	992-143-2001	991-143-2067		Gold
3	992-141-7067	991-141-7067	Natural	Tin
4	992-143-7067	991-143-7067		Gold
5	992-141-5067	991-141-5067	Gray	Tin
6	992-143-5067	991-143-5067		Gold
7	992-141-9067	991-141-9067	Blue	Tin
8	992-143-9067	991-143-9067		Gold



广东济德精密电子有限公司  
 受控文件  
 日期: 2021年10月18日

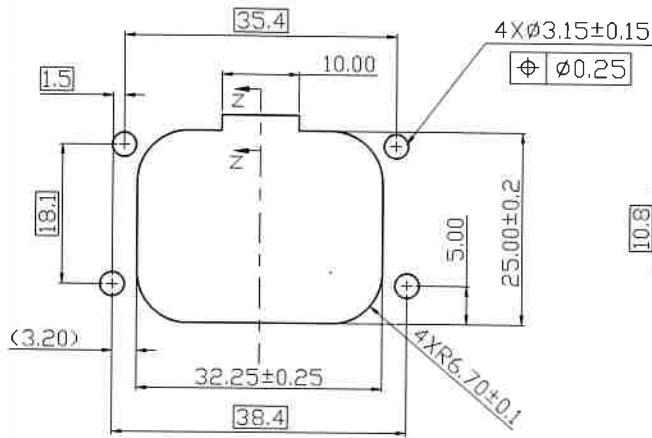


NOTES:

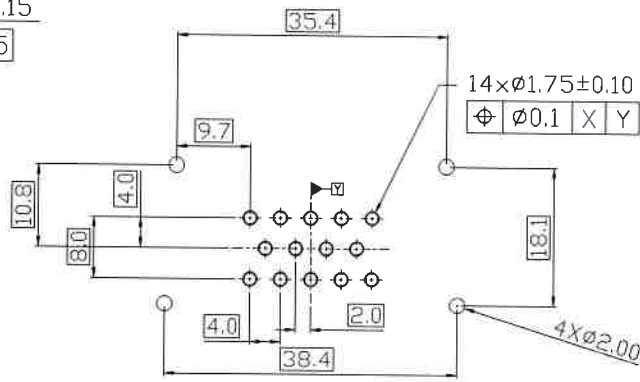
- Material / 材质:  
Housing / 塑胶主体: PBT, UL94 V-0  
Contacts / 端子: Copper alloy / 铜合金, Tin or gold plated / 镀锡或镀金
- Rated current / 额定电流: 8A (Tin / 镀锡); 17A (Au / 镀金);
- Rated voltage / 额定电压: 250V AC
- Operating temperature / 操作温度: -40°C ~ +105°C (Tin / 镀锡);  
-40°C ~ +125°C (Au / 镀金);
- Insulation voltage / 耐压: 1000V AC / minute,
- Insulation Resistance / 绝缘阻抗: 100MΩ (Min.)
- Contact resistance / 接触电阻: 10mΩ (Max.)
- Mounting screws are 3.0 self-tapping screws with torque range 0.6N.m-0.8N.m / 安装螺钉采用3.0自攻螺丝, 扭矩范围0.6N.m-0.8N.m
- The product must meet the requirements of RoHS.  
/ 产品符合RoHS环保要求.

X.± 0.35	X.*± 3°		Guangdong JiDe Precision Electronics Co., Ltd 广东济德精密电子有限公司	
.X± 0.25	.X*± 2°		TITLE:	PART NO.
.XX± 0.15	.XX*± 1°	.XXX± 0.10	.XXX*± /	14 Pin vertical ,with flange seal
UNITS:	mm	APPD: <i>Jerry</i>		99X-14X-X0XX
The information in this document is property of JIDC company and should not be copied or reproduced in any other way, without written permission.		CHKD: <i>Rony</i>		DWG NO:
		DRAW: <i>Colinyl</i>		C-99X-14X-X0XX
				SCALE
				SHEET
				REV.
				N/A
				3/3
				A0

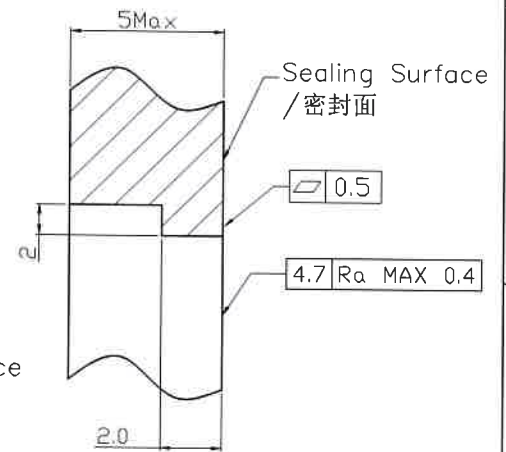
REV.	DESCRIPTION	DESIGN	APPROVAL	DATE
A0	NEW VERSION	Dong	Jerry	



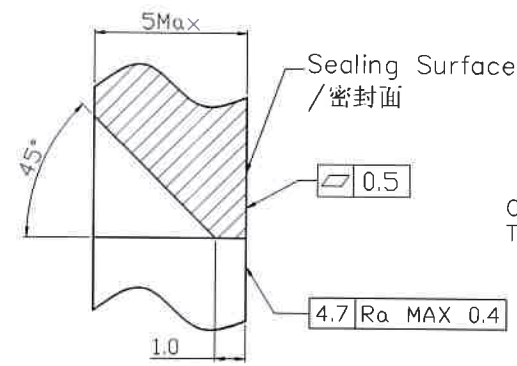
Mounting panel size  
(maximum gauge 5.0mm)  
/安装面板尺寸<最大厚度5.0mm



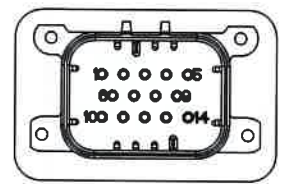
PCBA LAYOUT



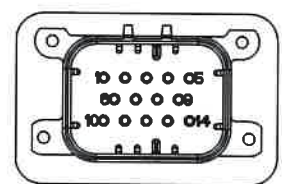
Section/截面 Z-Z  
Optional Construction IF Panel  
Thickness Is Greater Than 2.0  
/厚度大于2.0(可选)  
Scale/比例: 4: 1



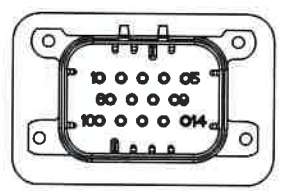
Section/截面 Z-Z  
Optional Construction IF Panel  
Thickness Is Greater Than 2.0  
/厚度大于2.0(可选)  
Scale/比例: 4: 1



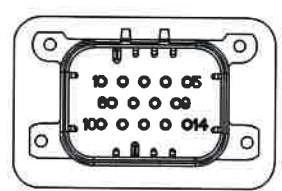
99X-14X-5067



99X-14X-2001



99X-14X-9067



99X-14X-7067

广东济德精密电子有限公司  
受控文件  
日期: 2021年10月18日

X.± 0.35	X.*± 3°	Guangdong JiDe Precision Electronics Co., Ltd 广东济德精密电子有限公司	TITLE:	PART NO.
.X± 0.25	.X*± 2°		14 Pin vertical ,with flange seal	99X-14X-X0XX
.XX± 0.15	.XX*±1°		DWG NO:	C-99X-14X-X0XX
.XXX± 0.10	.XXX*± /		SCALE	SHEET
UNITS:	mm		N/A	2/3
The information in this document is property of JIDC company and should not be copied or reproduced in any other way, without written permission.		APPD: <i>Jerry</i> CHKD: <i>Ruff</i> DRAW: <i>Colinyc</i>	REV.	AO