

A4			
A3			
A2			
A1			
REV	DATE	REVISION DESCRIPTION	ISSUE



COMMON TOLERANCE	
X.XX	± 0.10
X.X	± 0.15
X	± 0.25
ANGULAR	—

UNIT	MM	PROJECTED	
DRAWN BY	FUYUAN	CHECKED BY	COCO
DATE	2019	APPROVAL B	ALEN

PRODUCT NAME:	
MODEL NO:	TP92209P224RA5150B
Https:	www.rocpcu.tw
<b>ROCPCU TECHNOLOGY CO.,LTD</b>	
Copies are issued in strict confidence and shall not be reproduced or copied, or used as the basic of manufacture or sale of apparatus without permission	


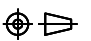
性能参数

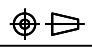

1. Heating current: Ui: AC250V, Ith: 5A  
发热电流: Ui: AC250V, Ith: 5A
2. Rated current:3A/DC36V  
额定电流:3A/DC36V
3. Power-frequency withstand voltage:2000V1min  
工频耐压:2000V1min
4. Insulation resistance:≥1000MΩ  
绝缘电阻 :≥1000MΩ
5. Contact resistance:≤50mΩ  
接触电阻 :≤50mΩ
6. Pressing stroke:2.50mm ± 0.10  
按压行程:2.50mm ± 0.10
7. Contact stroke:1.50mm±0.10  
接触行程 :1.50mm±0.10
8. Nut assembly torque:5-14N  
螺帽装配力矩:5-14N
9. Protection level:IP67  
防护等级:IP67
10. Explosion prevention level: IK10  
防暴等级: IK10
11. Working environment temperature: -20 °C~+55 °C  
工作环境温度: -20 °C~+55 °C
12. Compression torque: ≤ 4N  
按压扭力: ≤ 4N

13. Electrical life: 100000 cycles  
电气寿命: 100000 cycles
14. mechanical: 500000cycles  
机械寿命: 500000cycles
15. Operation method:Self repeating form  
操作方式: 自复式
16. LED lamp power consumption: 20m以下  
LED灯功耗: 20m以下
17. LED lamp lifespan: 40000h  
LED寿命: 40000h
18. LED color: Red  
LED颜色: 红色
19. LED Lamp Voltage: 24V  
LED灯电压: 24V
20. NO reverse thrust foot torque: ≤30N  
NO反推脚扭力: ≤30N

连接形式

1. Welding temperature of wire: 320 ± 20 °C  
线材焊接温度: 320±20°C  
Wire welding duration: less than 3 seconds  
线材焊接时长: 时长3秒以下
2. Can be used with dedicated connectors:  
可配专用接插件使用:
  - 2.1 Switch function wire: green (C) blue wire (NO) yellow wire (NC)  
开关功能线材: 绿色(C) 蓝线 (NO) 黄线 (NC)
  - 2.2LED functional wire: red wire positive pole black wire negative pole LED without distinguishing positive and negative poles  
LED功能线材: 红线正极 黑线负极 LED不分正负极

A4				 <b>台普</b> <b>ROCPCU</b>	COMMON TOLERANCE		UNIT	MM	PROJECTED		PRODUCT NAME:
A3					X.XX	± 0.10	DRAWN BY	FUYUAN	CHECKED BY	COCO	MODEL NO: TP92209P224RA5150B
A2					X.X	± 0.15	DATE	2019	APPROVAL B	ALEN	Https: www.rocpcu.tw
A1					X	± 0.25	ROCPCU TECHNOLOGY CO.,LTD				
REV	DATE	REVISION	DESCRIPTION		ISSUE	ANGULAR					
		A	B	C		D	E	F	G		

A	B	C	D	E	F	G
<b>材质参数</b>						
10	luminous zone 发光区	PC 塑胶	1			
9	LEDpin LED引脚	Brass 黄铜	1		Silvering 镀银	
8	Base 底座	PA46	1			
7	Pin 引脚	Brass 黄铜	1		gold-plating 镀金	
6	Contact material 接触材质	silver alloy 银合金	1			
5	LED Base LED基座	PC 塑胶	1			
4	Arm nut 固定螺帽	Brass 黄铜	1		nickeling 镀镍	
3	Oring O型圈	Silica gel 硅胶	1			
2	Housing 外壳	Aluminum alloy 铝合金	1		Oxidized/Black 氧化/黑色	
1	Key 按键	Aluminum alloy 铝合金	1		Oxidized/Black 氧化/黑色	
NO 序号	Part name 部件名	Material 材料	QTY 数量		Remark 备注	
A4				UNIT	MM	PROJECTED 
A3				DRAWN BY	FUYUAN	CHECKED BY
A2				DATE	2019	APPROVAL B
A1				<b>ROCPU TECHNOLOGY CO.,LTD</b>		
REV	DATE	REVISION	DESCRIPTION			
				Copies are issued in strict confidence and shall not be reproduced or copied, or used as the basis of manufacture or sale of apparatus without permission		

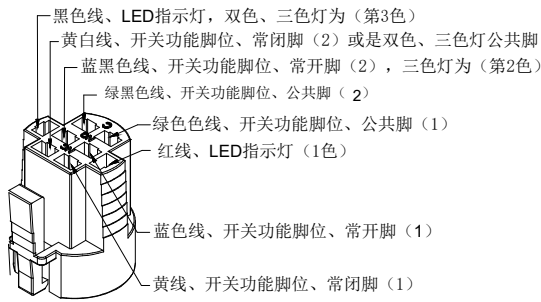
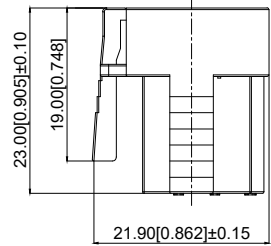
**材质参数**



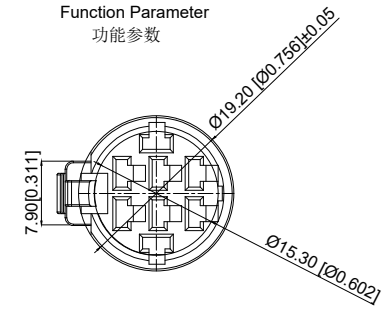
COMMON TOLERANCE

X.XX	± 0.10
X.X	± 0.15
X	± 0.25
ANGULAR	—

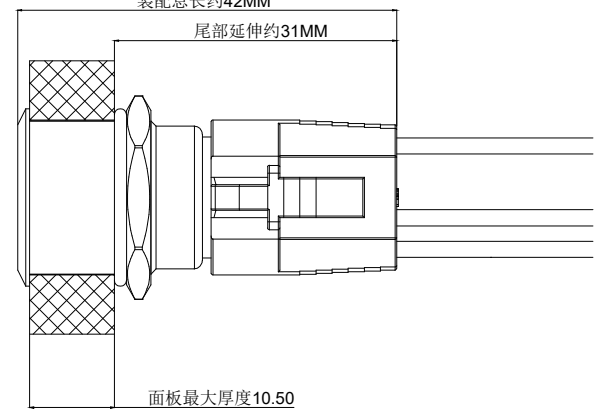
Copies are issued in strict confidence and shall not be reproduced or copied, or used as the basis of manufacture or sale of apparatus without permission



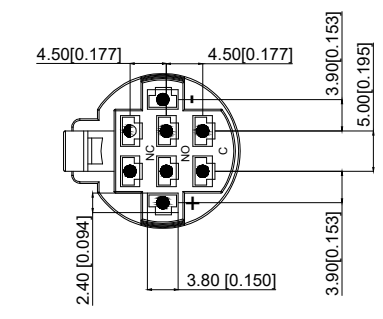
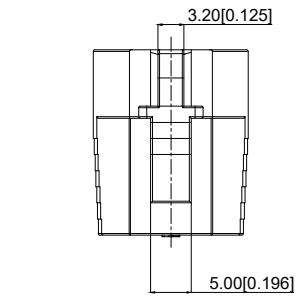
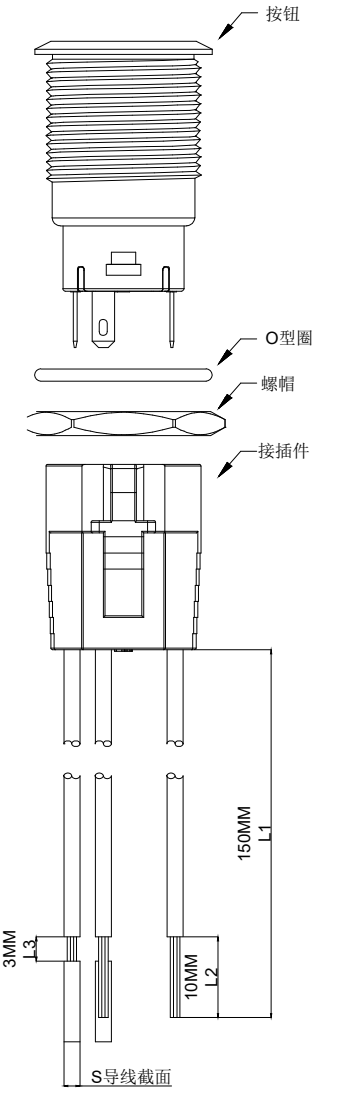
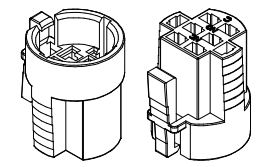
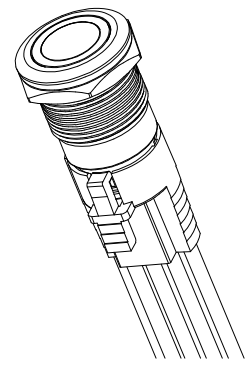
Function Parameter  
功能参数



装配总长约42MM  
尾部延伸约31MM



Installation diagram  
安装示意图



A4				
A3				
A2				
A1				
REV	DATE	REVISION	DESCRIPTION	ISSUE



COMMON	TOLERANCE
X.XX	± 0.10
X.X	± 0.15
X	± 0.25
ANGULAR	—

UNIT	MM	PROJECTED		PRODUCT NAME:
DRAWN BY	FUYUAN	CHECKED BY	COCO	MODEL NO: TP92209P224RA5150B
DATE	2019	APPROVAL B	ALEN	Https: www.rocpcu.tw
<b>ROCPCU TECHNOLOGY CO.,LTD</b>				
Copies are issued in strict confidence and shall not be reproduced or copied, or used as the basis of manufacture or sale of apparatus without permission				

性能参数


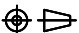
- 1.L1-导线长度：默认150MM长；
- 2.L2-线头长度：默认10MM
- 3.L3-剥头长度：默认3MM
- 4.S-导线导体横截面积：默认0.5平方MM、可选0.3平方MM
- 5.线型拉力N：（0.15-0.25MM）≤30N、（0.3MM）≤40N、（0.5MM）≤50N、（0.75MM）≤60N
- 6.需要其他线长、线型、可以定制

材质参数

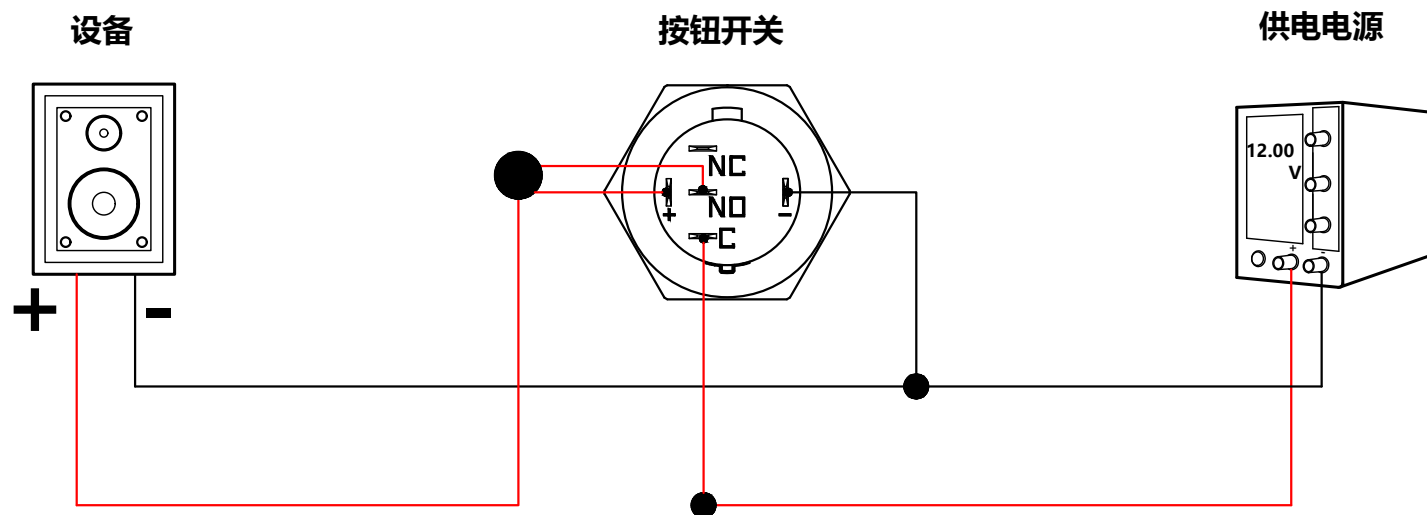
- 1.插壳：浅蓝色尼龙胶壳
- 2.端子：磷铜y镀锡色
- 3.导电线材：紫铜

线束使用说明

- 1.2线：用于单色的指示灯、无开关功能
- 2.3线：用于双色指示灯、无开关功能
- 3.4线：用于三色灯的指示灯、无开关功能
- 4.3线：用于1NO/1NO1NC开关、无指示灯功能
- 5.6线：用于2NO/2NO2NC开关、无指示灯功能
- 6.5线：用于1NO/1NO1NC、单色指示灯带开关功能
- 7.8线：用于2NO/2NO2NC、单色指示灯带开关功能
- 8.6线：用于1NO/1NO1NC、双色指示灯带开关功能
- 9.7线：用于1NO/1NO1NC、三色或220v双色指示灯带开关功能

A4				 <b>台普</b> <b>ROCPCU</b>	COMMON TOLERANCE		UNIT	MM	PROJECTED		PRODUCT NAME:	
A3					X.XX	± 0.10	DRAWN BY	FUYUAN	CHECKED BY	COCO	MODEL NO: TP92209P224RA5150B	
A2					X.X	± 0.15	DATE	2019	APPROVAL B	ALEN	Https: www.rocpcu.tw	
A1					X	± 0.25	ROCPCU TECHNOLOGY CO.,LTD					
REV	DATE	REVISION	DESCRIPTION		ISSUE	ANGULAR						Copies are issued in strict confidence and shall not be reproduced or copied, or used as the basic of manufacture or sale of apparatus without permission
	A		B		C		D		E		F	G

# 22MM系列单排单色按钮开关接线说明



## 接线说明:


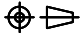
- 1、供电电源的负极、设备的负极、按钮开关的LED负极，并接一起。
- 2、供电电源的正极，按钮开关的C脚，并接一起。
- 3、设备的正极，按钮开关的NO脚、按钮开关的LED正极，并接一起。

## 实现功能:

- 1、按钮开关按下去时：设备**通电**，按钮开关LED**灯亮**。
- 2、按钮开关按回去时：设备**断电**，按钮开关LED**灯灭**。

**注：说明图的电压为接线参考使用，电源电压根据实际供电电压为准。**

**红线为正极 (火线)**  
**黑线为负极 (零线)**

A4				 <b>台普</b> <b>ROCPU</b>	COMMON TOLERANCE	UNIT	MM	PROJECTED		PRODUCT NAME:		
A3							DRAWN BY	FUYUAN	CHECKED BY	COCO	MODEL NO:	
A2						X.XX	± 0.10	DATE	2019	APPROVAL B	ALEN	Https: www.rocpu.tw
A1						X.X	± 0.15	<b>ROCPU TECHNOLOGY CO.,LTD</b>				
REV	DATE	REVISION	DESCRIPTION		ISSUE	X	± 0.25					<small>Copies are issued in strict confidence and shall not be reproduced or copied, or used as the basic of manufacture or sale of apparatus without permission</small>
					ANGULAR	—						