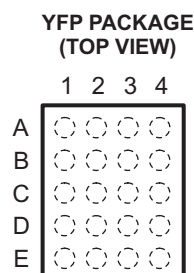


MMC, SD CARD, Memory Stick™ VOLTAGE-TRANSLATION TRANSCIEVER AND LDO VOLTAGE REGULATOR WITH ESD PROTECTION AND EMI FILTERING

FEATURES

- **Level Translator**
 - V_{CCA} Range of 1.1 V to 3.6 V
 - Fast Propagation Delay (4 ns Max When Translating Between 1.8 V and 2.9 V)
- **Low-Dropout (LDO) Regulator**
 - 200-mA LDO Regulator With Enable
 - 2.9-V Output Voltage
 - 3.05-V to 5.5-V Input Voltage Range
 - Very Low Dropout: 200 mV at 200 mA
- **ESD Protection Exceeds JESD 22 (A Port)**
 - 2000-V Human-Body Model (A114-B)
 - 1000-V Charged-Device Model (C101)
- **±8-kV Contact Discharge IEC 61000-4-2 ESD (B Port)**



TERMINAL ASSIGNMENTS

	1	2	3	4
A	DAT2A	V_{CCA}	WP/CD	DAT2B
B	DAT3A	V_{BATT}	V_{CCB} O/P	DAT3B
C	CMDA	GND	GND	CMDB
D	DAT0A	CLKA	CLKB	DAT0B
E	DAT1A	CLK-f	EN	DAT1B

DESCRIPTION/ORDERING INFORMATION

The TXS0206-29 is a complete solution for interfacing microprocessors with MultiMediaCards (MMCs), secure digital (SD) cards, and Memory Stick™ cards. It is comprised of a high-speed level translator, a low-dropout (LDO) voltage regulator, IEC level ESD protection, and EMI filtering circuitry.

The voltage-level translator has two supply voltage pins. V_{CCA} can be operated over the full range of 1.1 V to 3.6 V. V_{CCB} is set at 2.9 V and is supplied by an internal LDO. The integrated LDO accepts input voltages from 3.05V to as high as 5.5 V and outputs 2.9 V, 200 mA to the B-side circuitry and to the external memory card. The TXS0206-29 enables system designers to easily interface low-voltage microprocessors to memory cards operating at 2.9 V.

Memory card standards recommend high-ESD protection for devices that connect directly to the external memory card. To meet this need, the TXS0206-29 incorporates ±8-kV Contact Discharge protection on the card side.

Since memory cards are widely used in mobile phones, PDAs, digital cameras, personal media players, camcorders, set-top boxes, etc. Low static power consumption and small package size make the TXS0206-29 an ideal choice for these applications. The TXS0206-29 is offered in a 20-bump wafer chip scale package (WCSP). This package has dimensions of 1.96 mm × 1.56 mm, with a 0.4-mm ball pitch for effective board-space savings

ORDERING INFORMATION⁽¹⁾

T_A	PACKAGE ⁽²⁾		ORDERABLE PART NUMBER	TOP-SIDE MARKING ⁽³⁾
–40°C to 85°C	WCSP – YFP (Pb-free)	Tape and reel	TXS0206-29YFPR	___ 3 V 2

(1) For the most current package and ordering information, see the Package Option Addendum at the end of this document, or see the TI web site at www.ti.com.

(2) Package drawings, thermal data, and symbolization are available at www.ti.com/packaging.

(3) The actual top-side marking has three preceding characters to denote year, month, and sequence code.



Please be aware that an important notice concerning availability, standard warranty, and use in critical applications of Texas Instruments semiconductor products and disclaimers thereto appears at the end of this data sheet.

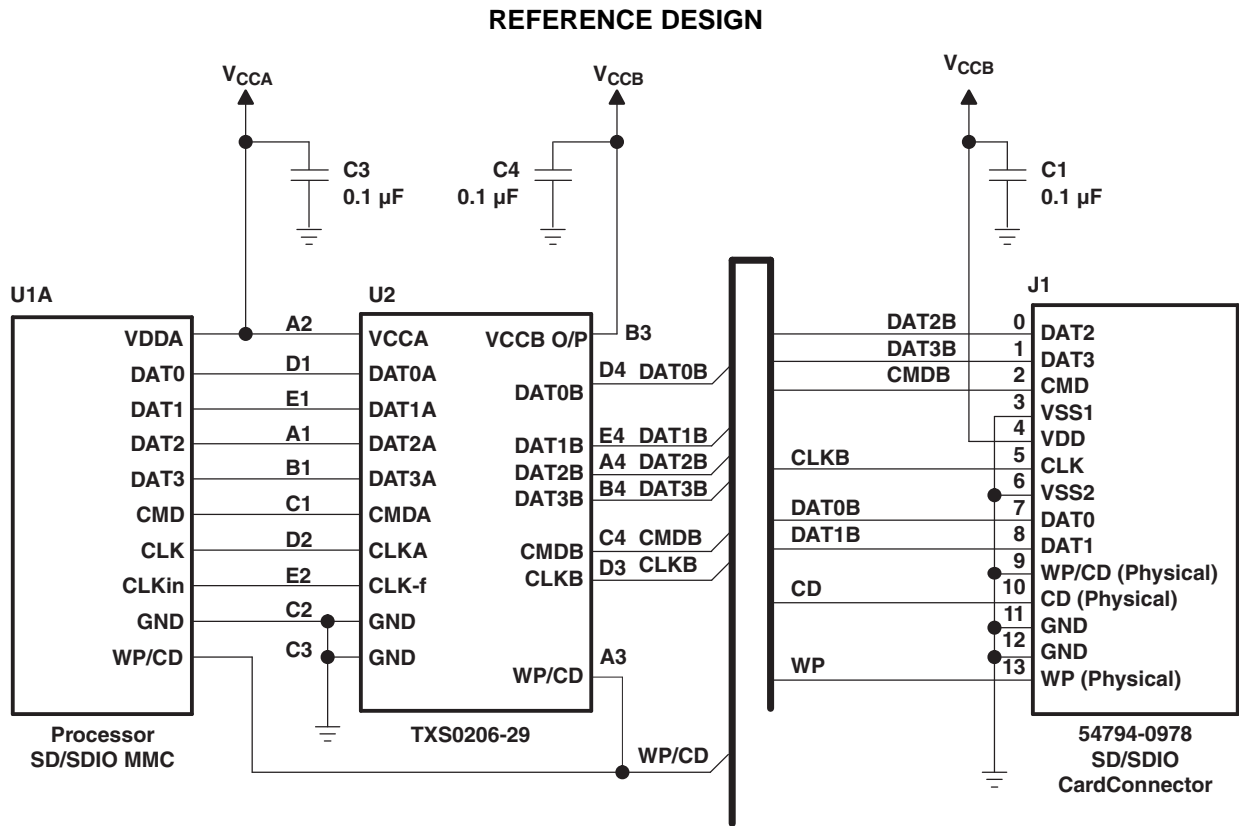


Figure 1. Interfacing With SD/SDIO Card

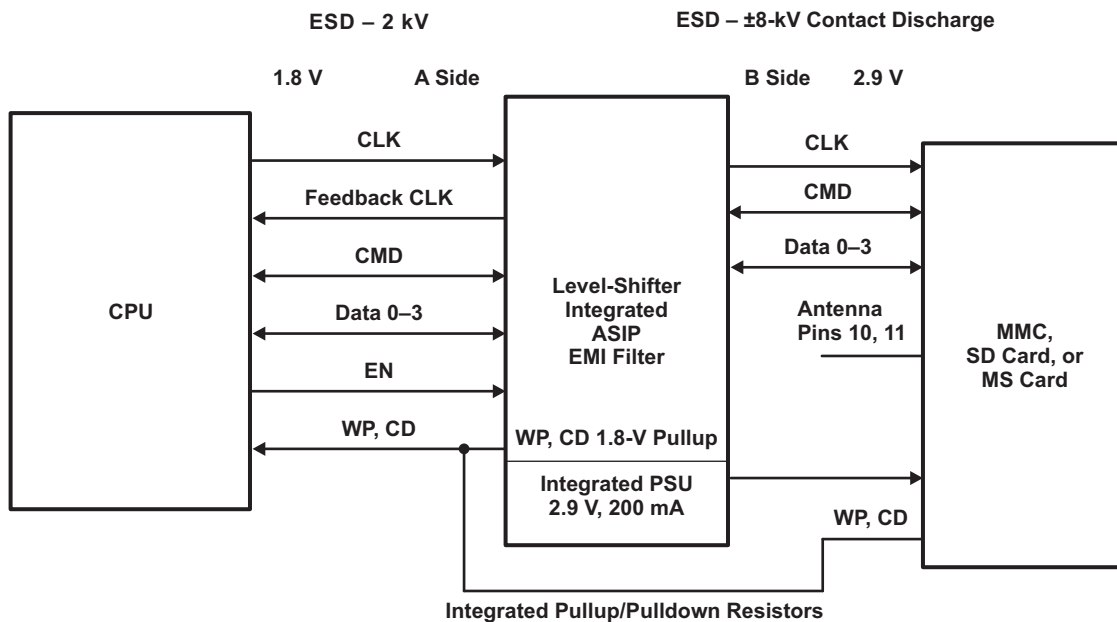


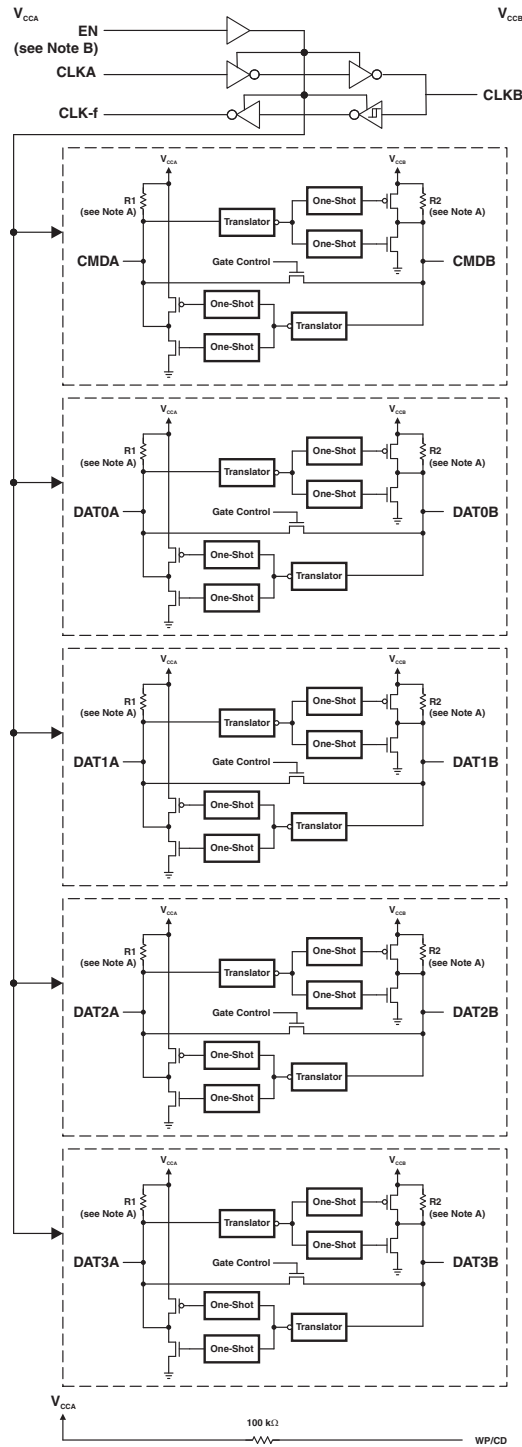
Figure 2. Typical Application Circuit

Table 1. LOGIC TABLE

EN	LDO	TRANSLATOR I/Os
L	Disabled	Disabled, pulled to V_{CCA} , V_{CCB} O/P through R_1 and R_2 at 70k Ω pullup resistors respectively
H	Active	Active

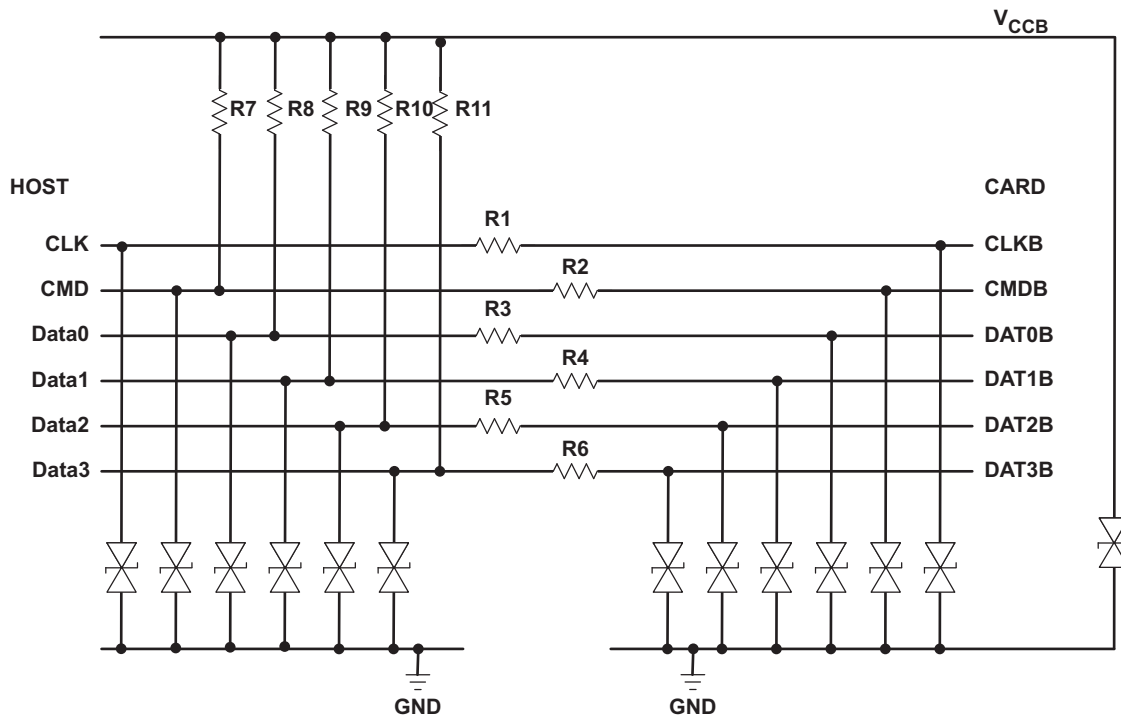
TERMINAL FUNCTIONS

TERMINAL		TYPE	DESCRIPTION
NO.	NAME		
A1	DAT2A	I/O	Data bit 2 connected to host. Referenced to V_{CCA} . Includes R_1 pullup resistor to V_{CCA} (see Note A).
A2	V_{CCA}	Power	A-port supply voltage. V_{CCA} powers all A-port I/Os and control inputs.
A3	WP/CD	Output	Connected to write protect on the mechanical connector. The WP pin has an internal 100-k Ω pullup resistor to V_{CCA} .
A4	DAT2B	I/O	Data bit 2 connected to memory card. Referenced to V_{CCB} O/P. Includes R_2 pullup resistor to V_{CCB} O/P (see Note A).
B1	DAT3A	I/O	Data bit 3 connected to host. Referenced to V_{CCA} . Includes R_1 pullup resistor to V_{CCA} (see Note A).
B2	V_{BATT}	Input	LDO input voltage from Battery-Supply
B3	V_{CCB} O/P	Output	LDO output voltage and B-port supply voltage. V_{CCB} O/P powers all B-port I/Os.
B4	DAT3B	I/O	Data bit 3 connected to memory card. Referenced to V_{CCB} O/P. Includes R_2 pullup resistor to V_{CCB} O/P (see Note A).
C1	CMDA	I/O	Command bit connected to host. Referenced to V_{CCA} . Includes R_1 pullup resistor to V_{CCA} (see Note A).
C2, C3	GND		Ground
C4	CMDB	I/O	Command bit connected to memory card. Referenced to V_{CCB} O/P. Includes R_2 pullup resistor to V_{CCB} O/P (see Note A).
D1	DAT0A	I/O	Data bit 0 connected to host. Referenced to V_{CCA} . Includes R_1 pullup resistor to V_{CCA} (see Note A).
D2	CLKA	Input	Clock signal connected to host. Referenced to V_{CCA} .
D3	CLKB	Output	Clock signal connected to memory card. Referenced to V_{CCB} O/P.
D4	DAT0B	I/O	Data bit 0 connected to memory card. Referenced to V_{CCB} O/P. Includes R_2 pullup resistor to V_{CCB} O/P (see Note A).
E1	DAT1A	I/O	Data bit 1 connected to host. Referenced to V_{CCA} . Includes R_1 pullup resistor to V_{CCA} (see Note A).
E2	CLK-f	Output	Clock feedback to host for resynchronizing data to a processor. Leave unconnected if not used.
E3	EN	Input	Enable/disable control. Pull EN low to place all outputs in Hi-Z state and to disable the LDO. Referenced to V_{CCA} .
E4	DAT1B	I/O	Data bit 1 connected to memory card. Referenced to V_{CCB} O/P. Includes R_2 pullup resistor to V_{CCB} O/P (see Note A).



- A. R₁ and R₂ resistor values are determined based upon the logic level applied to the A port or B port as follows:
 R₁ and R₂ = 40 kΩ when a logic level low is applied to the A port or B port.
 R₁ and R₂ = 4 kΩ when a logic level high is applied to the A port or B port.
 R₁ and R₂ = 70 kΩ when the port is deselected (or in High-Z or 3-state).
- B. EN controls all output buffers. When EN = low, all outputs are Hi-Z.

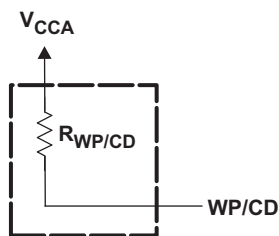
Figure 3. Logic Diagram



RESISTORS	
R1, R2, R3, R4, R5, R6	40 Ω
Tolerance	±20%
R7, R8, R9, R10, R11	40 kΩ
Tolerance	±30%

BIDIRECTIONAL ZENER DIODES	
Vbr min	14 V at 1 mA
Line capacitance	<20 pF

Figure 4. ASIP Block Diagram



RESISTORS	
R _{WP/CD}	100 kΩ
Tolerance	±30%

Figure 5. WP/CD Pullup Resistor

ABSOLUTE MAXIMUM RATINGS⁽¹⁾

Level Translator

over operating free-air temperature range (unless otherwise noted)

		MIN	MAX	UNIT	
V _{CCA}	Supply voltage range	-0.5	4.6	V	
V _I	Input voltage range	I/O ports (A port)	-0.5	4.6	V
		I/O ports (B port)	-0.5	4.6	
		Control inputs	-0.5	4.6	
V _O	Voltage range applied to any output in the high-impedance or power-off state	A port	-0.5	4.6	V
		B port	-0.5	4.6	
V _O	Voltage range applied to any output in the high or low state	A port	-0.5	4.6	V
		B port	-0.5	4.6	
I _{IK}	Input clamp current		-50	mA	
I _{OK}	Output clamp current	V _O < 0	-50	mA	
I _O	Continuous output current		±50	mA	
	Continuous current through V _{CCA} or GND		±100	mA	
T _{stg}	Storage temperature range	-65	150	°C	

- (1) Stresses beyond those listed under "absolute maximum ratings" may cause permanent damage to the device. These are stress ratings only, and functional operation of the device at these or any other conditions beyond those indicated under "recommended operating conditions" is not implied. Exposure to absolute-maximum-rated conditions for extended periods may affect device reliability.

THERMAL IMPEDANCE RATINGS

		TYP	UNIT
θ _{JA}	Package thermal impedance ⁽¹⁾	117	°C/W

- (1) The package thermal impedance is calculated in accordance with JESD 51-7.

ABSOLUTE MAXIMUM RATINGS⁽¹⁾

LDO

over operating free-air temperature range (unless otherwise noted)

		MIN	MAX	UNIT
V _{IN}	Input voltage range	2.3	6.5	V
V _{OUT}	Output voltage range	-0.3	4.6	V
	Peak output current		220	mA
	Continuous total power dissipation		TBD	mW
T _J	Junction temperature range	-55	150	°C
T _{stg}	Storage temperature range	-55	150	°C

- (1) Stresses beyond those listed under "absolute maximum ratings" may cause permanent damage to the device. These are stress ratings only, and functional operation of the device at these or any other conditions beyond those indicated under "recommended operating conditions" is not implied. Exposure to absolute-maximum-rated conditions for extended periods may affect device reliability.

RECOMMENDED OPERATING CONDITIONS⁽¹⁾
Level Translator

		V_{CCA}	V_{CCB}	MIN	MAX	UNIT
V_{CCA}	Supply voltage			1.1	3.6	V
V_{IH}	High-level input voltage	A-Port CMD and DATA I/Os	2.9 V	1.1 V to 1.95 V	$V_{CCI} - 0.2$	V_{CCI}
				1.95 V to 3.6 V	$V_{CCI} - 0.4$	V_{CCI}
	B-Port and DATA I/Os	2.9 V	1.1 V to 1.95 V	$V_{CCI} - 0.2$	V_{CCI}	V
			1.95 V to 3.6 V	$V_{CCI} - 0.4$	V_{CCI}	
OE and CLKA	1.1 V to 3.6 V	$V_{CCI} \times 0.65$	V_{CCI}			
V_{IL}	Low-level input voltage	A-Port CMD and DATA I/Os	2.9 V	1.1 V to 1.95 V	0	
				1.95 V to 3.6 V	0	0.15
	B-Port CMD and DATA I/Os	2.9 V	1.1 V to 1.95 V	0	0.15	V
			1.95 V to 3.6 V	0	0.15	
OE and CLKA	1.1 V to 3.6 V	0	$V_{CCI} \times 0.35$			
V_O	Output voltage	Active state		0	V_{CCO}	
		3-state				
I_{OH}	High-level output current (CLK-f output)		2.9 V	1.1 V to 1.3 V	-0.5	mA
				1.4 V to 1.6 V	-1	
				1.65 V to 1.95 V	-2	
				2.3 V to 2.7 V	-4	
				3 V to 3.6 V	-8	
I_{OL}	Low-level output current (CLK-f output)		2.9 V	1.1 V to 1.3 V	0.5	mA
				1.4 V to 1.6 V	1	
				1.65 V to 1.95 V	2	
				2.3 V to 2.7 V	4	
				3 V to 3.6 V	8	
I_{OH}	High-level output current (CLK output)		2.9 V		-8	mA
I_{OL}	Low-level output current (CLK output)		2.9 V		8	mA
$\Delta t/\Delta v$	Input transition rise or fall rate				5	ns/V
T_A	Operating free-air temperature			-40	85	°C

(1) All unused data inputs of the device must be held at V_{CCI} or GND to ensure proper device operation. See the TI application report, *Implications of Slow or Floating CMOS Inputs*, literature number [SCBA004](#).

RECOMMENDED OPERATING CONDITIONS
LDO

		MIN	MAX	UNIT
$I_{OUT(PK)}$	Peak output current	200		mA
C_{OUT}	Output capacitance	1	100	μF
T_J	Operating junction temperature	-40	125	°C

ELECTRICAL CHARACTERISTICS

Level Translator

over recommended operating free-air temperature range (unless otherwise noted)

PARAMETER		TEST CONDITIONS	V _{CCA}	V _{CCB} O/P	MIN	TYP ⁽¹⁾	MAX	UNIT
V _{OH}	A port (CLK-f output)	I _{OH} = -100 μA	1.1 V to 3.6 V	2.9 V	V _{CCA} × 0.8			V
		I _{OH} = -0.5 mA	1.1 V		0.8			
		I _{OH} = -1 mA	1.4 V		1.05			
		I _{OH} = -2 mA	1.65 V		1.2			
		I _{OH} = -4 mA	2.3 V		1.75			
		I _{OH} = -8 mA	3 V		2.3			
	A port (DAT and CMD outputs)	I _{OH} = -20 μA	1.1 V to 3.6 V		V _{CCA} × 0.8			
V _{OL}	A port (CLK-f output)	I _{OL} = 100 μA	1.1 V to 3.6 V	2.9 V			V _{CCA} × 0.8	V
		I _{OL} = 0.5 mA	1.1 V			0.35		
		I _{OL} = 1 mA	1.4 V			0.35		
		I _{OL} = 2 mA	1.65 V			0.45		
		I _{OL} = 4 mA	2.3 V			0.55		
		I _{OL} = 8 mA	3 V			0.7		
	A port (DAT and CMD outputs)	I _{OL} = 135 μA	1.1 V to 3.6 V		2.9 V		0.4	
		I _{OL} = 180 μA					0.4	
		I _{OL} = 220 μA					0.4	
		I _{OL} = 300 μA					0.4	
		I _{OL} = 400 μA					0.55	
V _{OH}	B port (CLK output)	I _{OH} = -100 μA	1.1 V to 3.6 V	2.9 V	V _{CCB} O/P × 0.8			V
		I _{OH} = -8 mA			2.3			
	B port (DAT output)	I _{OH} = -20 μA		2.9 V	V _{CCB} O/P × 0.8			
V _{OL}	CLKB output port	I _{OL} = 100 μA	1.1 V to 3.6 V	2.9 V			V _{CCB} O/P × 0.8	V
		I _{OL} = 8 mA				0.7		
	B port (DAT and CMD outputs)	I _{OL} = 135 μA	1.1 V to 3.6 V	2.9 V		0.4		
		I _{OL} = 180 μA				0.4		
		I _{OL} = 220 μA				0.4		
		I _{OL} = 300 μA				0.4		
		I _{OL} = 400 μA				0.55		
I _I	Control inputs	V _I = V _{CCA} or GND	1.1 V to 3.6 V	2.9 V			±1	μA
I _{CCA}		V _I = V _{CC1} or GND, I _O = 0	1.1 V to 3.6 V	2.9 V			6	μA
I _{CCB}		V _I = V _{CC1} or GND, I _O = 0	1.1 V to 3.6 V	2.9 V			5	μA
C _{io}	A port					5.5	6.5	pF
	B port					15	17.5	
C _i	Control inputs	V _I = V _{CCA} or GND				3.5	4.5	pF
	Clock input					3	4	

(1) All typical values are at T_A = 25°C.

ELECTRICAL CHARACTERISTICS

LDO

over operating free-air temperature range (unless otherwise noted)

PARAMETER		TEST CONDITIONS	MIN	TYP ⁽¹⁾	MAX	UNIT	
V _{BATT}	Input voltage		V _{OUT} + V _{DO}		5.5	V	
V _{OUT}	Output voltage	Nominal T _A = 25°C			2.9	V	
		All conditions	2.75		3.05		
ΔV _{OUT}	Output voltage tolerance	Nominal T _A = 25°C			±3	%	
V _{DO}	Dropout voltage	I _{OUT} = 200 mA		200	250	mV	
I _{GND}	Ground-pin current	I _{OUT} = 0			40	μA	
		I _{OUT} < 100 mA			200		
		100 mA ≤ I _{OUT} ≤ 200 mA			400		
I _{OUT(SC)}	Short-circuit current	R _L = 0 Ω			300	mA	
PSRR	Power-supply rejection ratio	V _{IN} = 3.05 V, V _{OUT} = 2.9 V, C _{NR} = 0.01 μF, I _{OUT} = 200 mA	f = 1 kHz			50	dB
			f = 10 kHz			40	
t _{STR}	Start-up time	V _{OUT} = 2.9 V, I _{OUT} = 200 mA, C _{OUT} = 2.2 μF			200	μs	

(1) All typical values are at T_A = 25°C.

TIMING REQUIREMENTS

over recommended operating free-air temperature range, V_{CCB} = 2.9 V ± 5% (unless otherwise noted)

			V _{CCA} = 1.2 V ± 0.1 V		V _{CCA} = 1.5 V ± 0.1 V		V _{CCA} = 1.8 V ± 0.15 V		V _{CCA} = 2.5 V ± 0.2 V		V _{CCA} = 3.3 V ± 0.3 V		UNIT
			MIN	MAX	MIN	MAX	MIN	MAX	MIN	MAX	MIN	MAX	
Data rate	Command	Push-pull driving	40		60		60		60		60		Mbps
		Open-drain driving	1		1		1		1		1		
	Data	Clock	60		60		60		60		60		MHz
		Push-pull driving	40		60		60		60		60		Mbps
t _w Pulse duration	Command	Push-pull driving	25		17		17		17		17		ns
		Open-drain driving	1		1		1		1		1		μs
	Data	Clock	8.3		8.3		8.3		8.3		8.3		ns
		Push-pull driving	25		17		17		17		17		ns

SWITCHING CHARACTERISTICS

over recommended operating free-air temperature range, $V_{CCB} = 2.9 \text{ V} \pm 5\%$ (unless otherwise noted)

PARAMETER	FROM (INPUT)	TO (OUTPUT)	TEST CONDITIONS	$V_{CCA} = 1.2 \text{ V} \pm 0.1 \text{ V}$		$V_{CCA} = 1.5 \text{ V} \pm 0.1 \text{ V}$		$V_{CCA} = 1.8 \text{ V} \pm 0.15 \text{ V}$		$V_{CCA} = 2.5 \text{ V} \pm 0.2 \text{ V}$		$V_{CCA} = 3.3 \text{ V} \pm 0.3 \text{ V}$		UNIT
				MIN	MAX	MIN	MAX	MIN	MAX	MIN	MAX	MIN	MAX	
t_{pd}	CMDA	CMDB	Push-pull driving	10.8		6.1		4.6		3.7		3.8		ns
			Open-drain driving (H-to-L)	3.2	10.6	2.7	6.6	2.4	5.5	2.1	4.4	2	4.1	
			Open-drain driving (L-to-H)	71	175	83	180	89	201	98	249	101	233	
	CMDB	CMDA	Push-pull driving	12		6.8		5.2		4.1		3.4		
			Open-drain driving (H-to-L)	2.9	9.4	2.1	7.3	2	6.4	2	5.7	2.2	4.6	
			Open-drain driving (L-to-H)	77	243	87	214	93	215	99	261	105	248	
	CLKA	CLKB	Push-pull driving	11.7		6.2		4.7		3.7		3.5		
	DATxA	DATxB	Push-pull driving	11.1		6.2		4.7		3.7		3.7		
	DATxB	DATxA		11.5		6.2		5		3.9		6.2		
CLKA	CLK-f	Push-pull driving	24.7		13		8.9		6.8		4.8			
t_{en}	EN	B-port	Push-pull driving	1		1		1		1		1		μs
	EN	A-port	Push-pull driving	1		1		1		1		1		
t_{dis}	EN	B-port	Push-pull driving	40		39		35		38		34		ns
	EN	A-port	Push-pull driving	40		38		38		38		36		
t_{rA}	CMDA rise time		Push-pull driving	1.6	12.2	0.4	8.3	1.1	5.9	1.9	3.3	0.8	4.2	ns
			Open-drain driving	32	120	44	127	52	150	62	201	74	194	
	CLK-f rise time		Push-pull driving	0.6	12.7	0.5	7.2	0.4	4.5	0.7	1.5	0.7	1.4	
DATxA rise time			1.6	11.6	0.6	8.4	1	6.3	1.8	4.2	1.1	3.3		
t_{rB}	CMDB rise time		Push-pull driving	1.7	6.7	0.5	5.6	1	5.2	1.5	5.2	1.9	5	ns
			Open-drain driving	66	214	71	196	73	184	76	214	79	185	
	CLKB rise time		Push-pull driving	1.7	4.8	1.5	4.9	1.5	4.9	1.6	5	1.6	5.1	
	DATxB rise time		Push-pull driving	0.4	6.8	0.6	5	0.2	5.2	0.9	5.3	1	14	
t_{fA}	CMDA fall time		Push-pull driving	0.8	4	0.8	2.3	0.2	3.1	0.3	1.5	1	2.3	ns
			Open-drain driving	1.6	3.9	1.6	3.7	1.6	3.7	1.6	3.7	1.6	3.9	
	CLK-f fall time		Push-pull driving	1	4	0.4	6.8	0.1	1.5	0.3	2.8	0.6	1.3	
	DATxA fall time		Push-pull driving	1	3.9	0.1	3.8	0.2	2.7	0.3	2.9	0.4	1.8	
t_{fB}	CMDB fall time		Push-pull driving	1.5	4.5	1.4	5.4	1.6	5	1.6	5.6	0.8	6.3	ns
			Open-drain driving	1	4.3	1	2.3	0.8	1.9	0.8	1.6	0.9	1.3	
	CLKB fall time		Push-pull driving	1.6	4	1.6	4.1	1.7	4.2	1.7	4.5	0.9	5.1	
	DATxB fall time		Push-pull driving	1	4.8	2.3	4.3	0.8	4.9	0.2	4.9	0.8	6.9	
$t_{SK(O)}$	Channel-to-channel skew		Push-pull driving	1		1		1		1		1		ns
Max data rate	Command		Push-pull driving	40		60		60		60		60		Mbps
			Open-drain driving	1		1		1		1		1		
	Clock		Push-pull driving	60		60		60		60		60		MHz
	Data		Push-pull driving	40		60		60		60		60		Mbps

OPERATING CHARACTERISTICS
 $T_A = 25^\circ\text{C}$, $V_{CCB} = 2.9\text{ V}$

PARAMETER			TEST CONDITIONS	V_{CCA} TYP						UNIT
				1.2 V	1.5 V	1.8 V	2.5 V	3 V	3.3 V	
C_{pdA} (1)	A-port input, B-port output	CLK Enabled	$C_L = 0$, $f = 10\text{ MHz}$, $t_r = t_f = 1\text{ ns}$	15	15	15	15.7	17.1	17.1	pF
		DATA Enabled		6.3	6.4	6.5	6.5	6.5	6.5	
	B-port input, A-port output	DATA Enabled		12.5	12.3	12.3	12.5	14	14	
		CLK Disabled		0.2	0.2	0.2	0.3	0.3	0.3	
	A-port input, B-port output	DATA Disabled		1.2	1.2	1.2	1.2	1.2	1.2	
		DATA Disabled		0.2	0.2	0.2	0.3	0.3	0.3	
C_{pdB} (1)	A-port input, B-port output	DATA Enabled	$C_L = 0$, $f = 10\text{ MHz}$, $t_r = t_f = 1\text{ ns}$	31.2	30.6	30.3	29.5	28.5	28.5	pF
		CLK Enabled		28.1	27.2	27	26.9	27	27	
	B-port input, A-port output	DATA Enabled		12.9	12.8	12.9	13.2	13.2	13.2	
		DATA Disabled		0.6	0.5	0.5	0.5	0.5	0.6	
	A-port input, B-port output	CLK Disabled		0.6	0.5	0.5	0.5	0.5	0.6	
		DATA Disabled		1.2	1.2	1.2	1	1	1	

(1) Power dissipation capacitance per transceiver

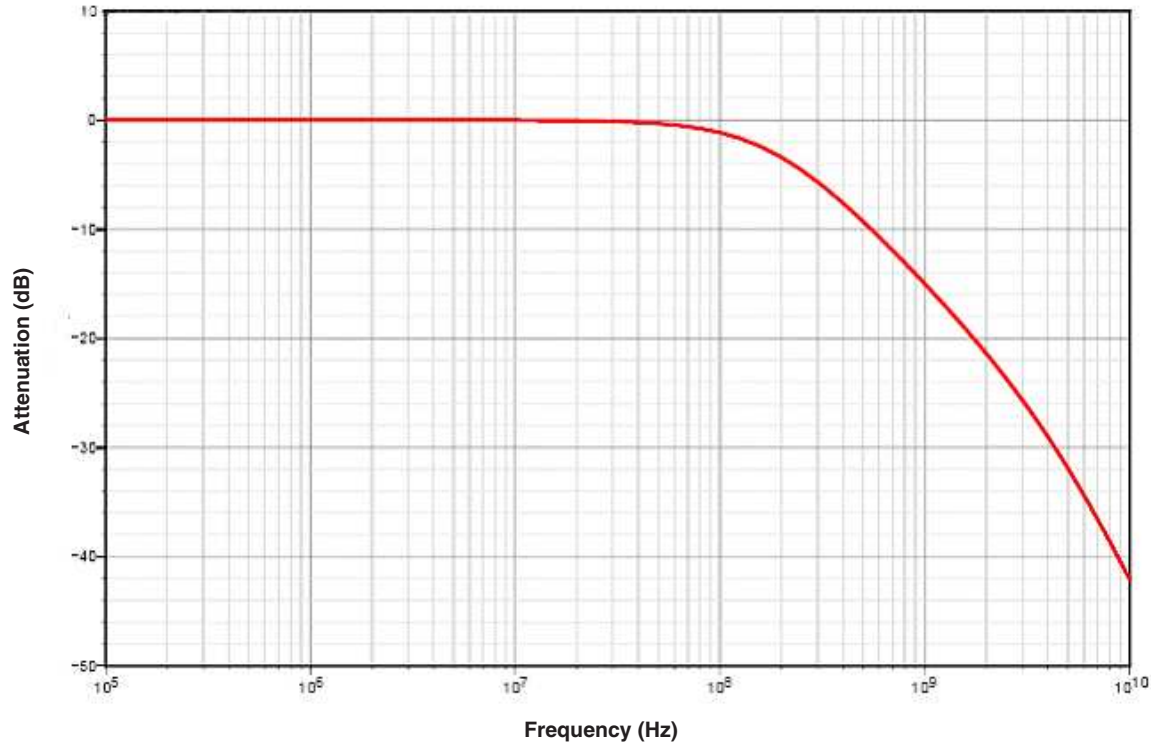


Figure 6. Typical ASIP EMI Filter Frequency Response

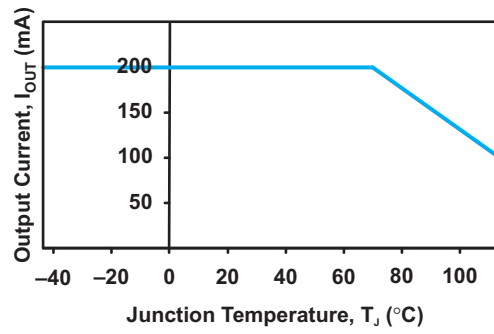
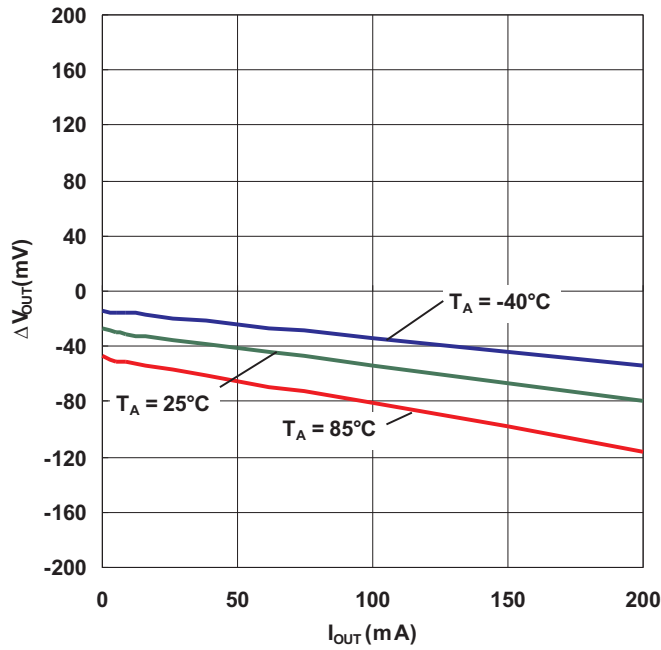


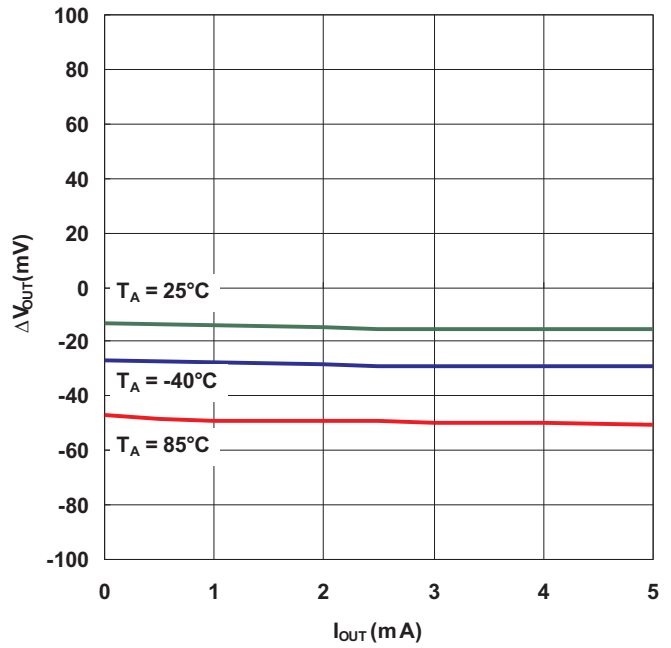
Figure 7. LDO Output Current Derating

TYPICAL CHARACTERISTICS

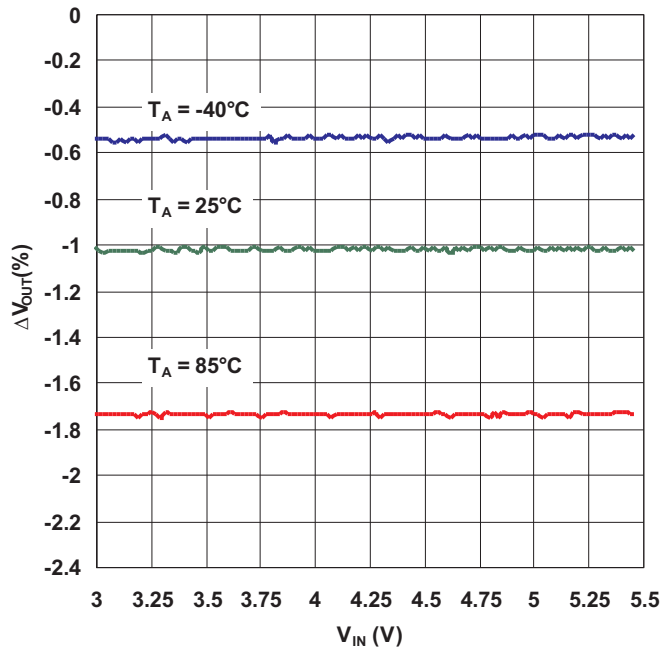
LOAD REGULATION



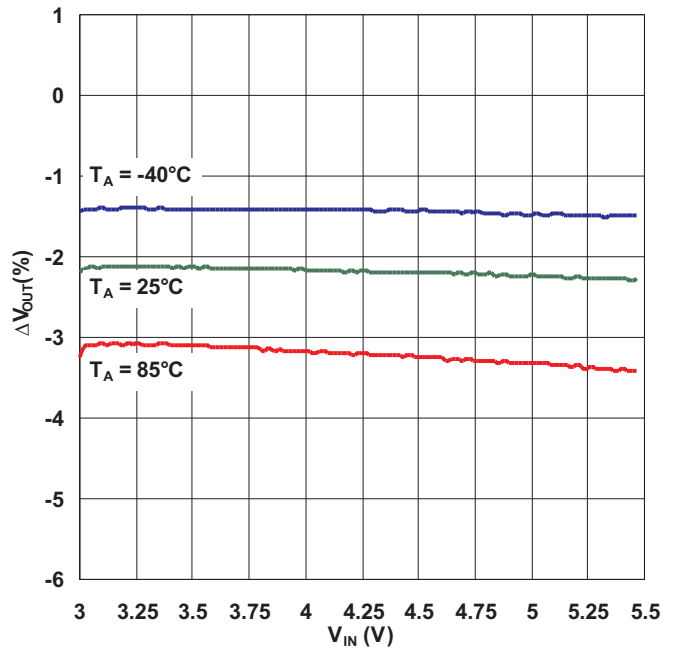
LOAD REGULATION, LIGHT LOADS



LINE REGULATION
($I_{OUT} = 5\text{ mA}$)

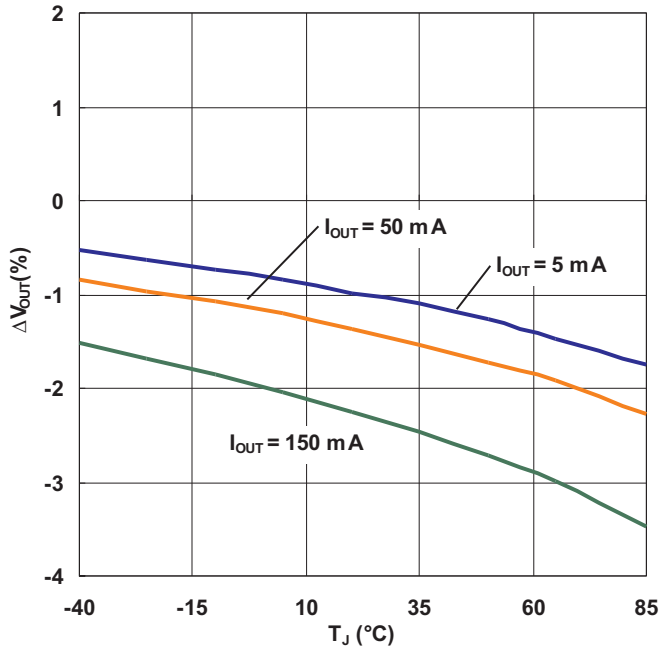


LINE REGULATION
($I_{OUT} = 150\text{ mA}$)

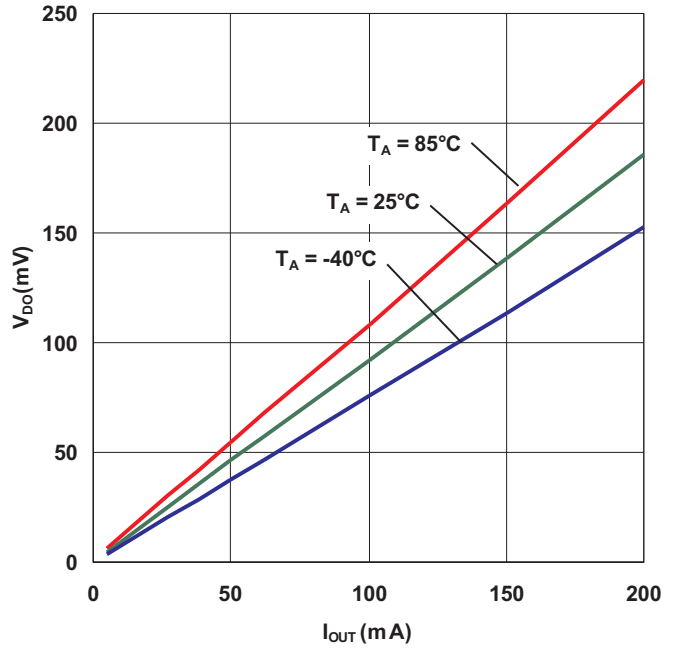


TYPICAL CHARACTERISTICS (continued)

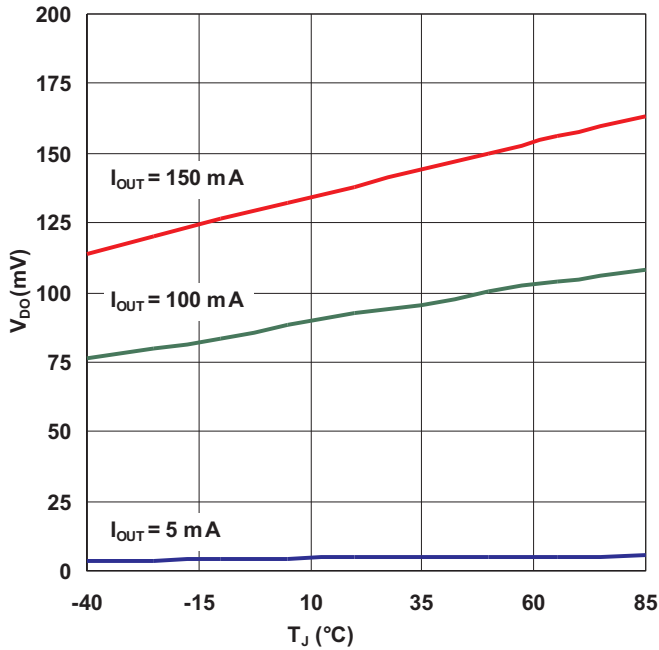
OUTPUT VOLTAGE
VS
TEMPERATURE



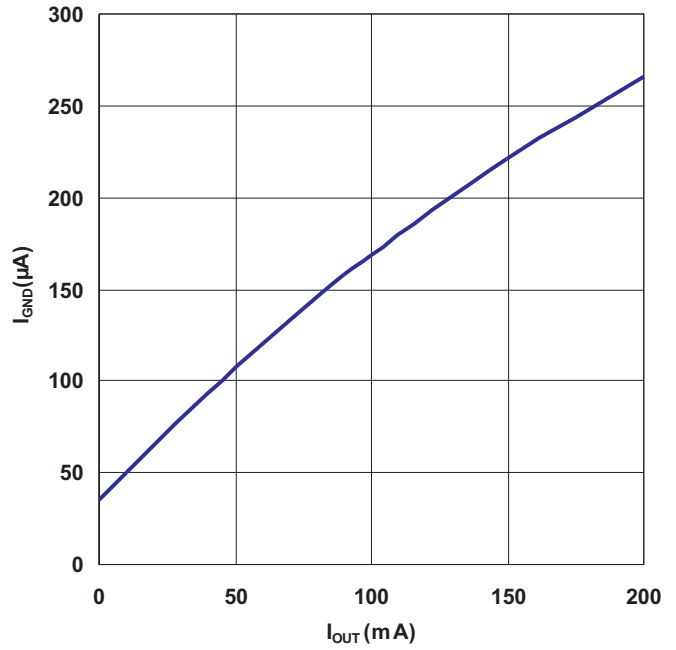
DROPOUT VOLTAGE
VS
OUTPUT CURRENT



DROPOUT VOLTAGE
VS
TEMPERATURE

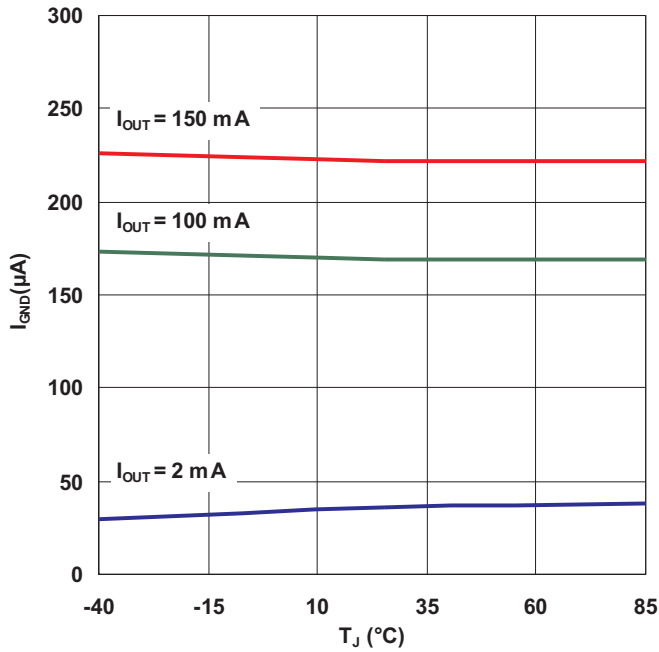


GROUND PIN CURRENT
VS
OUTPUT CURRENT

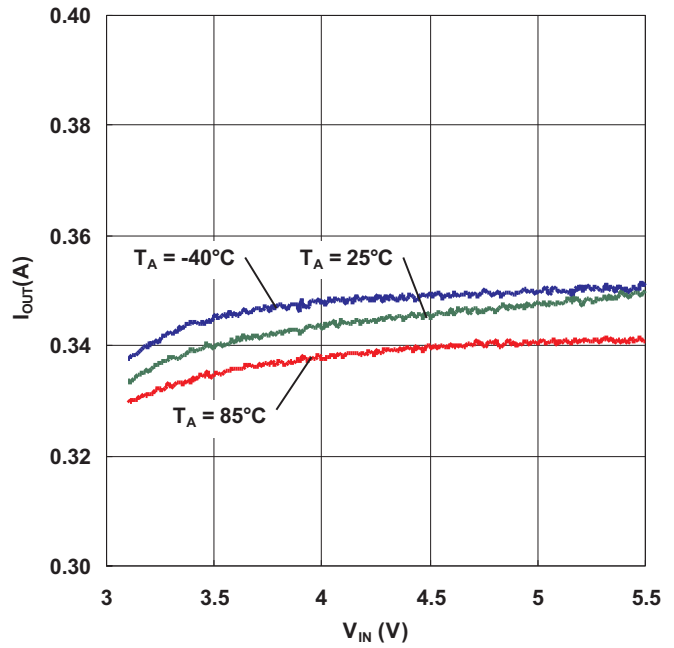


TYPICAL CHARACTERISTICS (continued)

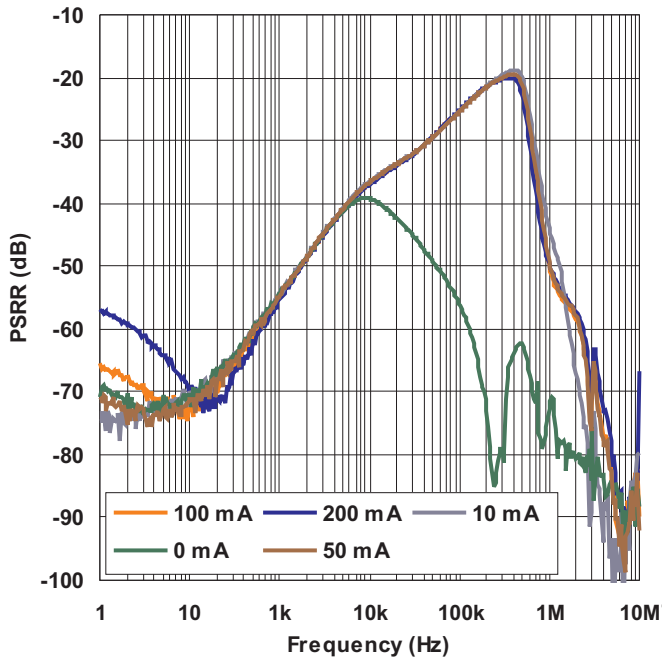
GROUND PIN CURRENT
VS
TEMPERATURE (ENABLE)



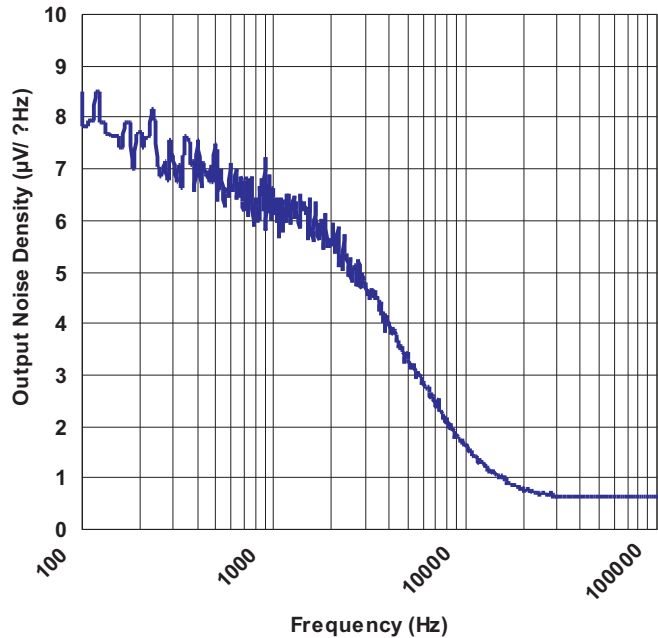
CURRENT LIMIT
VS
INPUT VOLTAGE



POWER SUPPLY RIPPLE REJECTION
VS
FREQUENCY ($V_{IN} - V_{OUT} = 1\text{ V}$)

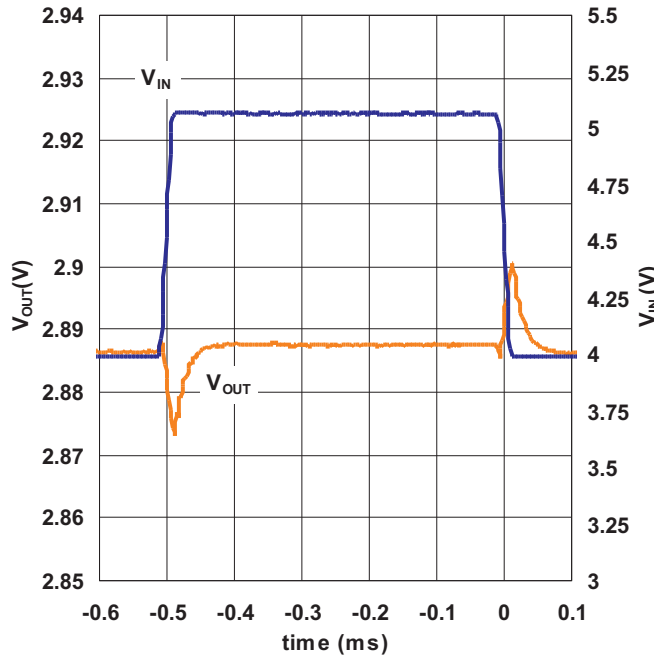


OUTPUT SPECTRAL NOISE DENSITY
($C_{OUT} = 1\ \mu F$)

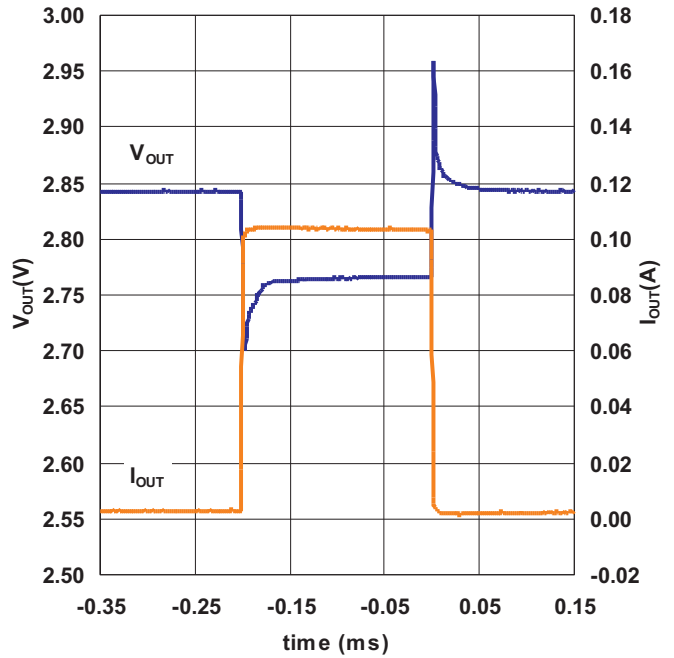


TYPICAL CHARACTERISTICS (continued)

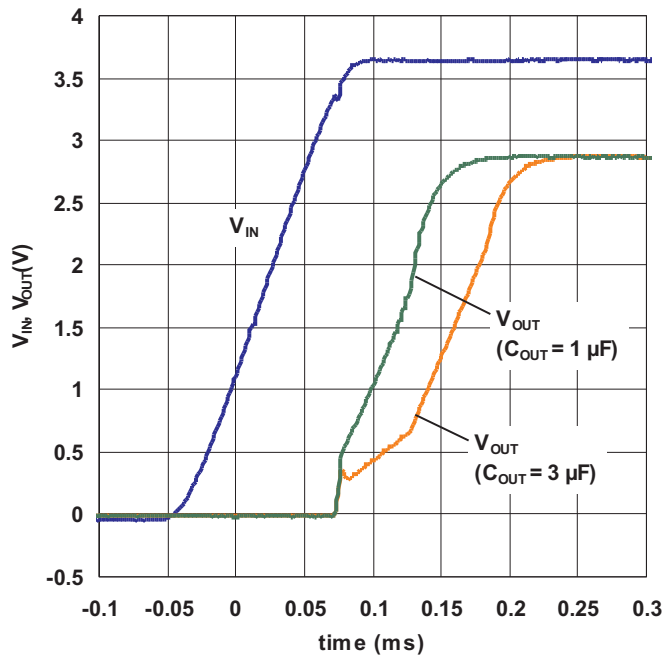
LINE TRANSIENT RESPONSE
($C_{OUT} = 1 \mu F$)



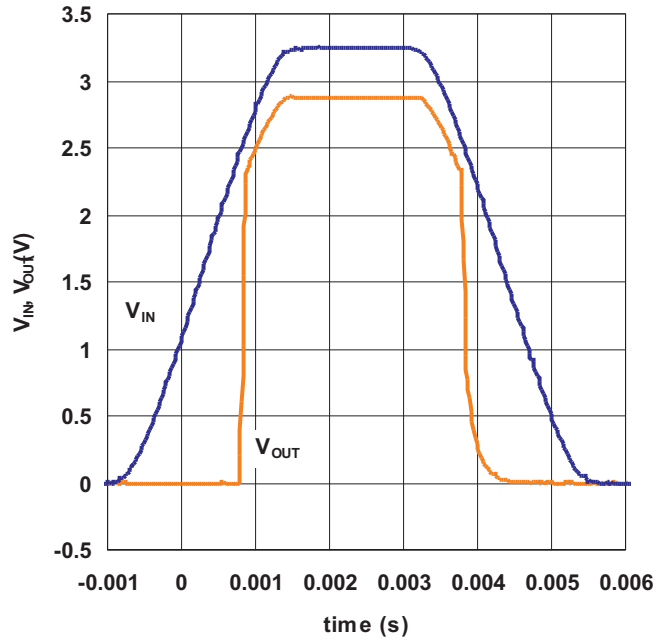
LOAD TRANSIENT RESPONSE
($C_{OUT} = 1 \mu F, V_{IN} = 3.3 V, I_{OUT} = 0$ to $100 mA$)



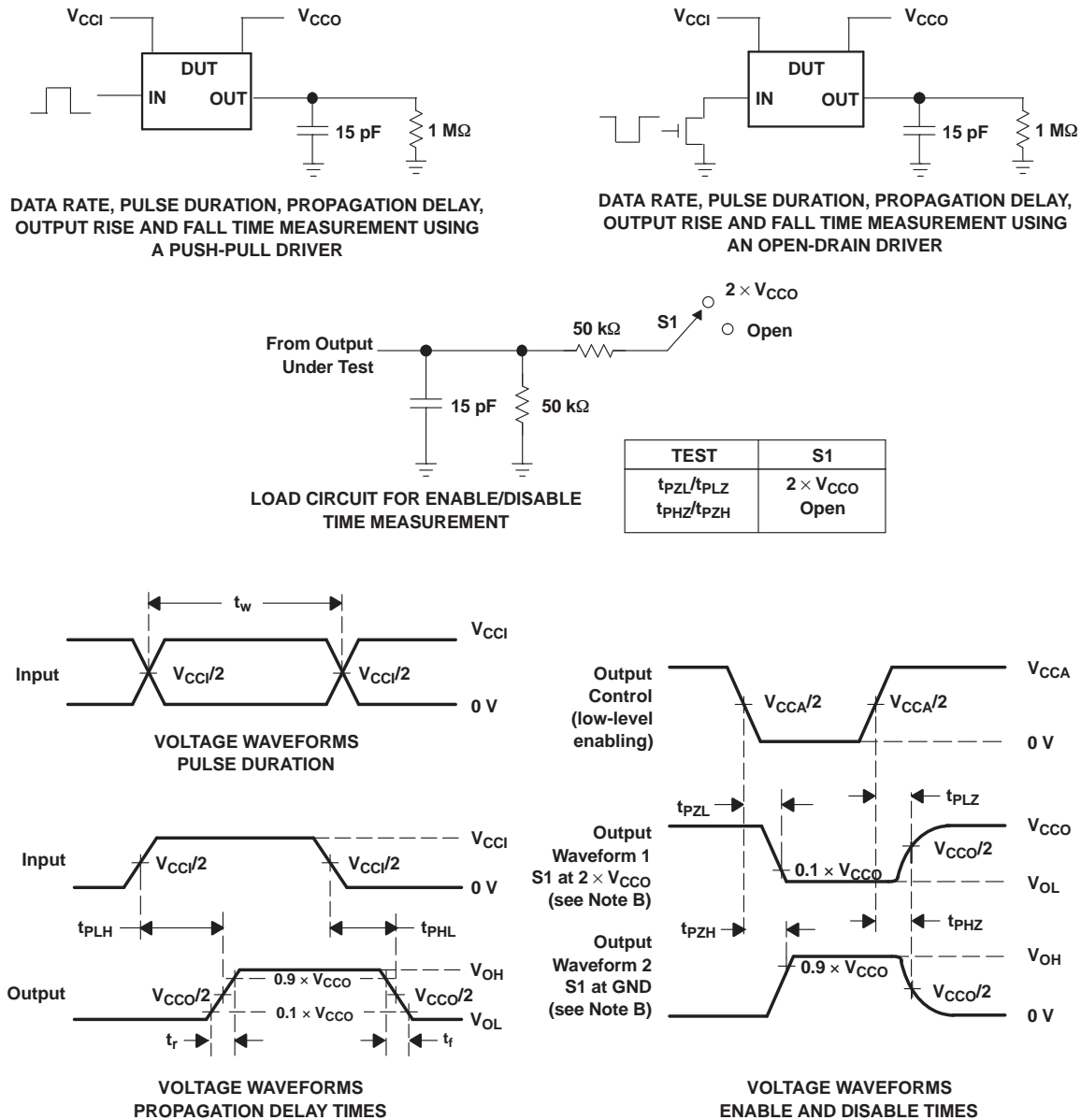
TURN-ON RESPONSE



POWER-UP/POWER-DOWN
($C_{OUT} = 1 \mu F, I_{OUT} = 150 mA$)



PARAMETER MEASUREMENT INFORMATION



- A. C_L includes probe and jig capacitance.
- B. Waveform 1 is for an output with internal conditions such that the output is low, except when disabled by the output control. Waveform 2 is for an output with internal conditions such that the output is high, except when disabled by the output control.
- C. All input pulses are supplied by generators having the following characteristics: $PRR \leq 10$ MHz, $Z_O = 50 \Omega$, $dv/dt \geq 1$ V/ns.
- D. The outputs are measured one at a time, with one transition per measurement.
- E. t_{PLZ} and t_{PHZ} are the same as t_{dis} .
- F. t_{PZL} and t_{PZH} are the same as t_{en} .
- G. t_{PLH} and t_{PHL} are the same as t_{pd} .
- H. V_{CCI} is the V_{CC} associated with the input port.
- I. V_{CCO} is the V_{CC} associated with the output port.
- J. All parameters and waveforms are not applicable to all devices.

Figure 8. Load Circuit and Voltage WaveformsN

PRINCIPLES OF OPERATION

Applications

The TXS0206-29 device is a complete application-specific voltage-translator designed to bridge the digital-switching compatibility gap and interface logic threshold levels between a microprocessor with MMC, SD, and Memory Stick™ cards. It is intended to be used in a point-to-point topology when interfacing these devices that may or may not be operating at different interface voltages.

Architecture

The CLKA, CLKB, and CLK-f subsystem interfaces consist of a fully-buffered voltage translator design that has its output transistors to source and sink current optimized for drive strength.

The SDIO lines comprise a semi-buffered auto-direction-sensing based translator architecture (see [Figure 9](#)) that does not require a direction-control signal to control the direction of data flow of the A to B ports (or from B to A ports).

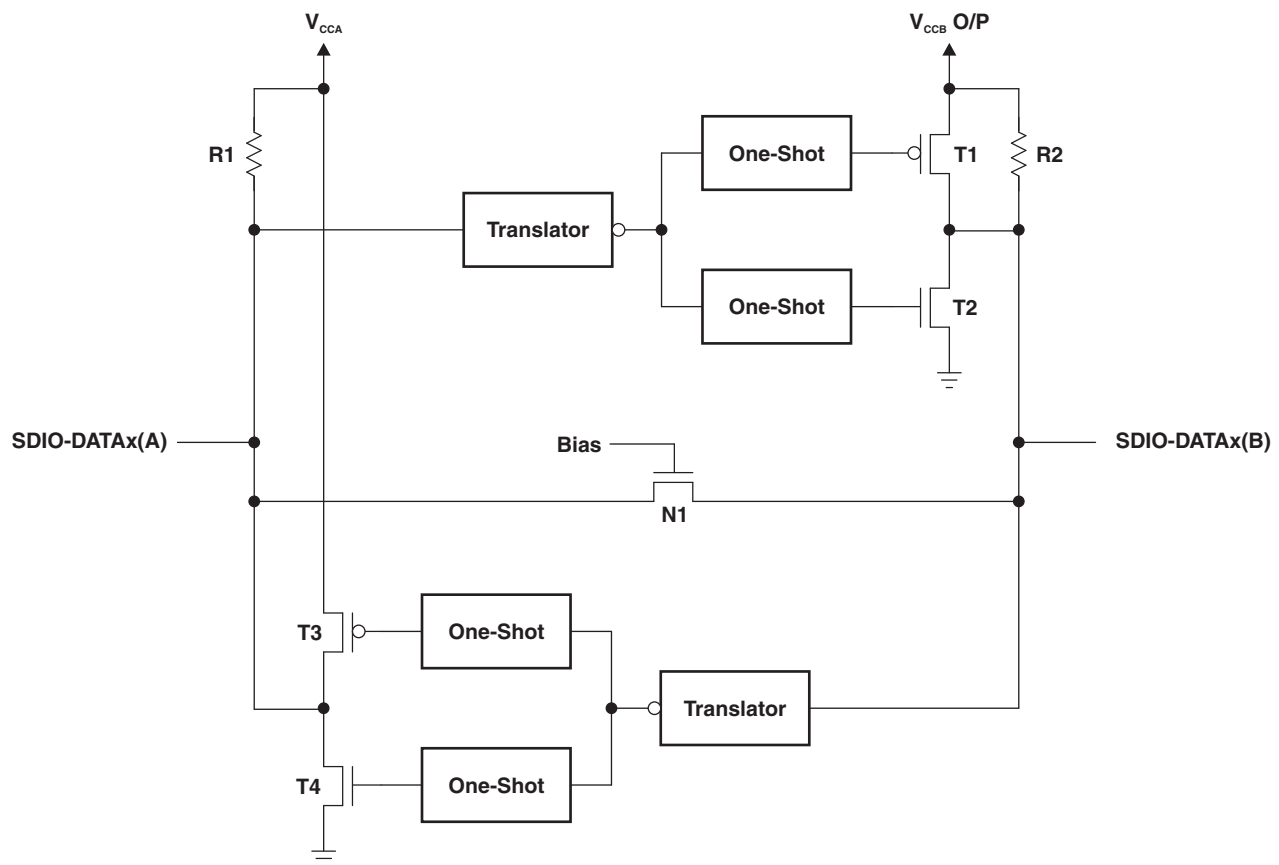


Figure 9. Architecture of an SDIO Switch-Type Cell

Each of these bidirectional SDIO channels independently determines the direction of data flow without a direction-control signal. Each I/O pin can be automatically reconfigured as either an input or an output, which is how this auto-direction feature is realized.

The following two key circuits are employed to facilitate the "switch-type" voltage translation function:

1. Integrated pullup resistors to provide dc-bias and drive capabilities
2. An N-channel pass-gate transistor topology (with a high R_{ON} of $\sim 300 \Omega$) that ties the A-port to the B-port
3. Output one-shot (O.S.) edge-rate accelerator circuitry to detect and accelerate rising edges on the A or B ports

For bidirectional voltage translation, pullup resistors are included on the device for dc current sourcing capability. The V_{GATE} gate bias of the N-channel pass transistor is set at a level that optimizes the switch characteristics for maximum data rate as well as minimal static supply leakage. Data can flow in either direction without guidance from a control signal.

The edge-rate acceleration circuitry speeds up the output slew rate by monitoring the input edge for transitions, helping maintain the data rate through the device.

During a low-to-high signal rising-edge, the O.S. circuits turn on the PMOS transistors (T_1, T_3) and its associated driver output resistance of the driver is decreased to approximately $50\ \Omega$ to $70\ \Omega$ during this acceleration phase to increase the current drive capability of the driver for approximately 30 ns or 95% of the input edge, whichever occurs first. This edge-rate acceleration provides high ac drive by bypassing the internal pullup resistors during the low-to-high transition to speed up the rising-edge signal.

During a high-to-low signal falling-edge, the O.S. circuits turn on the NMOS transistors (T_2, T_4) and its associated driver output resistance of the driver is decreased to approximately $50\ \Omega$ to $70\ \Omega$ during this acceleration phase to increase the current drive capability of the driver for approximately 30 ns or 95% of the input edge, whichever occurs first.

To minimize dynamic I_{CC} and the possibility of signal contention, the user should wait for the O.S. circuit to turn-off before applying a signal in the opposite direction. The worst-case duration is equal to the minimum pulse-width number provided in the *Timing Requirements* section of this data sheet.

Once the O.S. is triggered and switched off, both the A and B ports must go to the same state (i.e. both High or both Low) for the one-shot to trigger again. In a DC state, the output drivers maintain a Low state through the pass transistor. The output drivers maintain a High through the "smart pullup resistors" that dynamically change value based on whether a Low or a High is being passed through the SDIO lines, as follows:

- R_{PU1} and R_{PU2} values are a nominal $40\ k\Omega$ when the output is driving a low
- R_{PU1} and R_{PU2} values are a nominal $4\ k\Omega$ when the output is driving a high
- R_{PU1} and R_{PU2} values are a nominal $70\ k\Omega$ when the device is disabled via the EN pin or by pulling the either V_{CCA} or V_{CCB}/P to 0 V.

The reason for using these "smart" pullup resistors is to allow the TXS0206-29 to realize a lower static power consumption (when the I/Os are low), support lower V_{OL} values for the same size pass-gate transistor, and improved simultaneous switching performance.

Input Driver Requirements

The continuous dc-current "sinking" capability is determined by the external system-level driver interfaced to the SDIO pins. Since the high bandwidth of these bidirectional SDIO circuits necessitates the need for a port to quickly change from an input to an output (and vice-versa), they have a modest dc-current "sourcing" capability of hundreds of micro-Amperes, as determined by the smart pullup resistor values.

The fall time (t_{fA}, t_{fB}) of a signal depends on the edge rate and output impedance of the external device driving the SDIO I/Os, as well as the capacitive loading on these lines.

Similarly, the t_{pd} and max data rates also depend on the output impedance of the external driver. The values for t_{fA}, t_{fB}, t_{pd} , and maximum data rates in the data sheet assume that the output impedance of the external driver is less than $50\ \Omega$.

Output Load Considerations

TI recommends careful PCB layout practices with short PCB trace lengths to avoid excessive capacitive loading and to ensure that proper O.S. triggering takes place. PCB signal trace-lengths should be kept short enough such that the round trip delay of any reflection is less than the one-shot duration. This improves signal integrity by ensuring that any reflection sees a low impedance at the driver. The O.S. circuits have been designed to stay on for approximately 30 ns. The maximum capacitance of the lumped load that can be driven also depends directly on the one-shot duration. With very heavy capacitive loads, the one-shot can time-out before the signal is driven fully to the positive rail. The O.S. duration has been set to best optimize trade-offs between dynamic I_{CC} , load driving capability, and maximum bit-rate considerations. Both PCB trace length and connectors add to the capacitance that the TXS0206-29 SDIO output sees, so it is recommended that this lumped-load capacitance be considered and kept below $50\ pF$ to avoid O.S. retriggering, bus contention, output signal oscillations, or other adverse system-level affects.

When using the TXS0206-29 device with MMCs, SD, and Memory Stick™ to ensure that a valid receiver input voltage high (V_{IH}) is achieved, the value of any pulldown resistors (external or internal to a memory card) must not be >10-k Ω value. The impact of adding too heavy a pulldown resistor (i.e. <10-k Ω value) to the data and command lines of the TXS0206-29 device and the resulting 4-k Ω pullup & 10-k Ω pulldown voltage divider network has a direct impact on the V_{IH} of the signal being sent into the memory card and its associated logic.

The resulting V_{IH} voltage for the 10-k Ω pulldown resistor value would be:

$$V_{CC} \times 10 \text{ k}\Omega / (10 \text{ k}\Omega + 4 \text{ k}\Omega) = 0.714 \times V_{CC}$$

This is marginally above a valid input high voltage for a 1.8-V signal (i.e., $0.65 \times V_{CC}$).

The resulting V_{IH} voltage for 20-k Ω pulldown resistor value would be:

$$V_{CC} \times 20 \text{ k}\Omega / (20 \text{ k}\Omega + 4 \text{ k}\Omega) = 0.833 \times V_{CC}$$

Which is above the valid input high voltage for a 1.8-V signal of $0.65 \times V_{CC}$.

PACKAGING INFORMATION

Orderable Device	Status (1)	Package Type	Package Drawing	Pins	Package Qty	Eco Plan (2)	Lead/Ball Finish (6)	MSL Peak Temp (3)	Op Temp (°C)	Device Marking (4/5)	Samples
TXS0206-29YFPR	LIFEBUY	DSBGA	YFP	20		TBD	Call TI	Call TI	-40 to 85	3V2	
TXS0206-29YFPRB	ACTIVE	DSBGA	YFP	20	3000	Green (RoHS & no Sb/Br)	SNAGCU	Level-1-260C-UNLIM	-40 to 85	(3V, 3V2)	Samples

(1) The marketing status values are defined as follows:

ACTIVE: Product device recommended for new designs.

LIFEBUY: TI has announced that the device will be discontinued, and a lifetime-buy period is in effect.

NRND: Not recommended for new designs. Device is in production to support existing customers, but TI does not recommend using this part in a new design.

PREVIEW: Device has been announced but is not in production. Samples may or may not be available.

OBSELETE: TI has discontinued the production of the device.

(2) **RoHS:** TI defines "RoHS" to mean semiconductor products that are compliant with the current EU RoHS requirements for all 10 RoHS substances, including the requirement that RoHS substance do not exceed 0.1% by weight in homogeneous materials. Where designed to be soldered at high temperatures, "RoHS" products are suitable for use in specified lead-free processes. TI may reference these types of products as "Pb-Free".

RoHS Exempt: TI defines "RoHS Exempt" to mean products that contain lead but are compliant with EU RoHS pursuant to a specific EU RoHS exemption.

Green: TI defines "Green" to mean the content of Chlorine (Cl) and Bromine (Br) based flame retardants meet JS709B low halogen requirements of <=1000ppm threshold. Antimony trioxide based flame retardants must also meet the <=1000ppm threshold requirement.

(3) MSL, Peak Temp. - The Moisture Sensitivity Level rating according to the JEDEC industry standard classifications, and peak solder temperature.

(4) There may be additional marking, which relates to the logo, the lot trace code information, or the environmental category on the device.

(5) Multiple Device Markings will be inside parentheses. Only one Device Marking contained in parentheses and separated by a "~" will appear on a device. If a line is indented then it is a continuation of the previous line and the two combined represent the entire Device Marking for that device.

(6) Lead/Ball Finish - Orderable Devices may have multiple material finish options. Finish options are separated by a vertical ruled line. Lead/Ball Finish values may wrap to two lines if the finish value exceeds the maximum column width.

Important Information and Disclaimer:The information provided on this page represents TI's knowledge and belief as of the date that it is provided. TI bases its knowledge and belief on information provided by third parties, and makes no representation or warranty as to the accuracy of such information. Efforts are underway to better integrate information from third parties. TI has taken and continues to take reasonable steps to provide representative and accurate information but may not have conducted destructive testing or chemical analysis on incoming materials and chemicals. TI and TI suppliers consider certain information to be proprietary, and thus CAS numbers and other limited information may not be available for release.

In no event shall TI's liability arising out of such information exceed the total purchase price of the TI part(s) at issue in this document sold by TI to Customer on an annual basis.

TAPE AND REEL INFORMATION



QUADRANT ASSIGNMENTS FOR PIN 1 ORIENTATION IN TAPE



*All dimensions are nominal

Device	Package Type	Package Drawing	Pins	SPQ	Reel Diameter (mm)	Reel Width W1 (mm)	A0 (mm)	B0 (mm)	K0 (mm)	P1 (mm)	W (mm)	Pin1 Quadrant
TXS0206-29YFPRB	DSBGA	YFP	20	3000	180.0	8.4	1.66	2.06	0.56	4.0	8.0	Q1

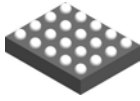
TAPE AND REEL BOX DIMENSIONS



*All dimensions are nominal

Device	Package Type	Package Drawing	Pins	SPQ	Length (mm)	Width (mm)	Height (mm)
TXS0206-29YFPRB	DSBGA	YFP	20	3000	182.0	182.0	20.0

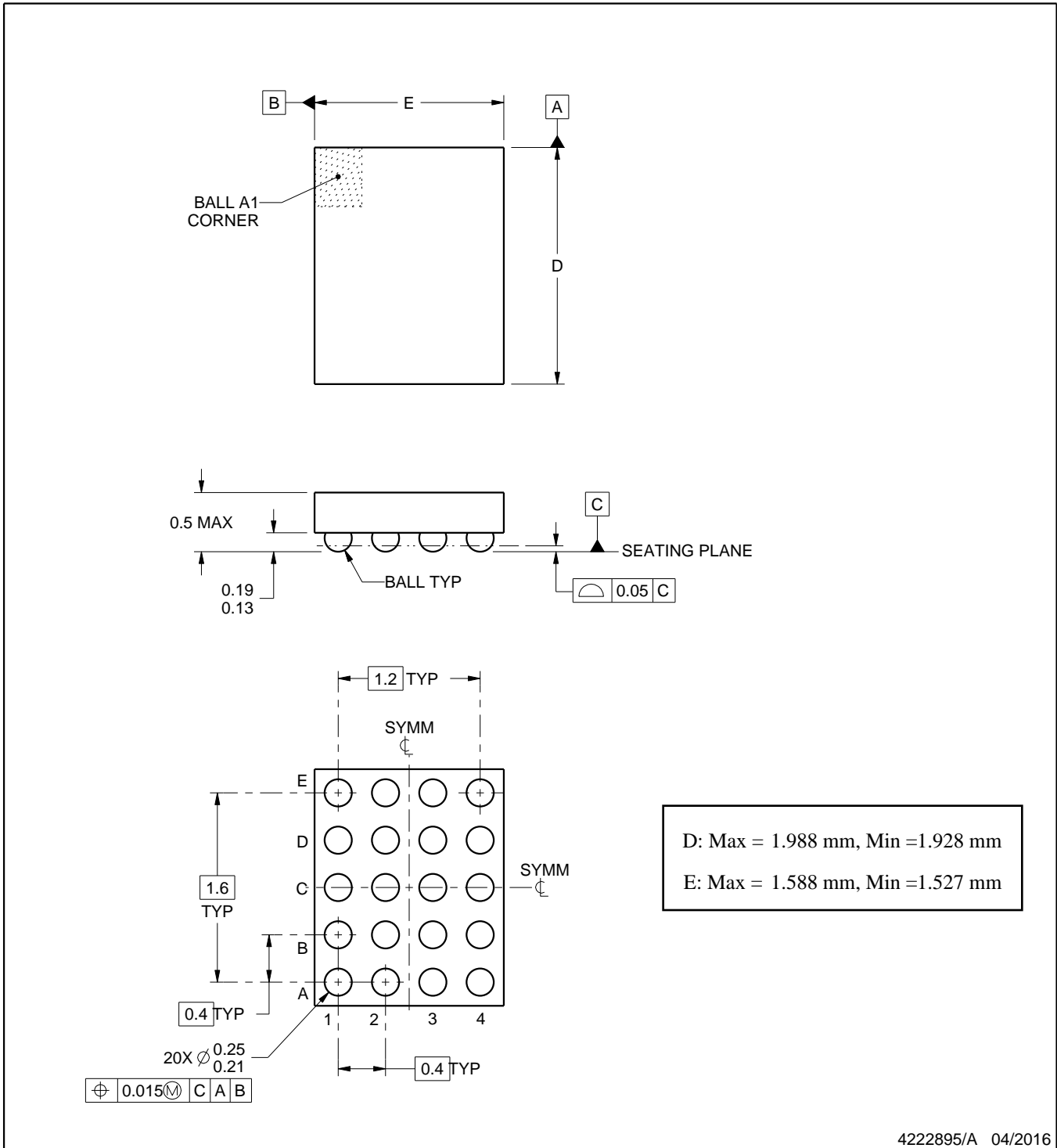
YFP0020



PACKAGE OUTLINE

DSBGA - 0.5 mm max height

DIE SIZE BALL GRID ARRAY



4222895/A 04/2016

NOTES:

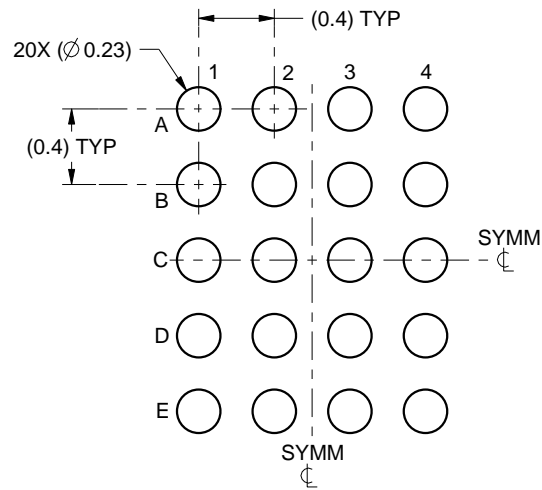
1. All linear dimensions are in millimeters. Any dimensions in parenthesis are for reference only. Dimensioning and tolerancing per ASME Y14.5M.
2. This drawing is subject to change without notice.

EXAMPLE BOARD LAYOUT

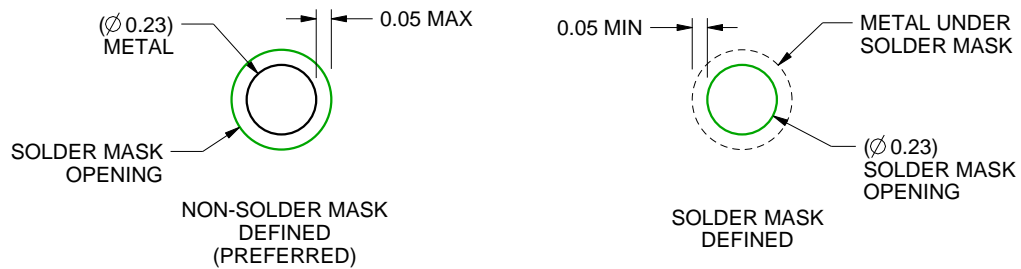
YFP0020

DSBGA - 0.5 mm max height

DIE SIZE BALL GRID ARRAY



LAND PATTERN EXAMPLE
SCALE:25X



SOLDER MASK DETAILS
NOT TO SCALE

4222895/A 04/2016

NOTES: (continued)

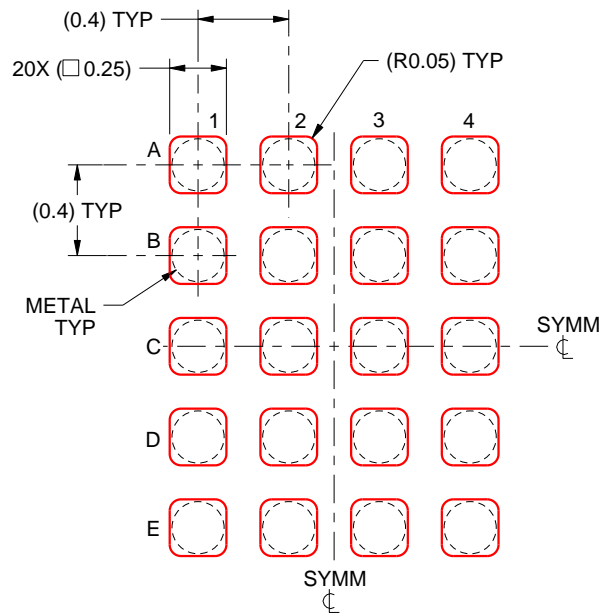
- Final dimensions may vary due to manufacturing tolerance considerations and also routing constraints. For more information, see Texas Instruments literature number SNVA009 (www.ti.com/lit/snva009).

EXAMPLE STENCIL DESIGN

YFP0020

DSBGA - 0.5 mm max height

DIE SIZE BALL GRID ARRAY



SOLDER PASTE EXAMPLE
BASED ON 0.1 mm THICK STENCIL
SCALE:30X

4222895/A 04/2016

NOTES: (continued)

4. Laser cutting apertures with trapezoidal walls and rounded corners may offer better paste release.

IMPORTANT NOTICE

Texas Instruments Incorporated (TI) reserves the right to make corrections, enhancements, improvements and other changes to its semiconductor products and services per JESD46, latest issue, and to discontinue any product or service per JESD48, latest issue. Buyers should obtain the latest relevant information before placing orders and should verify that such information is current and complete.

TI's published terms of sale for semiconductor products (<http://www.ti.com/sc/docs/stdterms.htm>) apply to the sale of packaged integrated circuit products that TI has qualified and released to market. Additional terms may apply to the use or sale of other types of TI products and services.

Reproduction of significant portions of TI information in TI data sheets is permissible only if reproduction is without alteration and is accompanied by all associated warranties, conditions, limitations, and notices. TI is not responsible or liable for such reproduced documentation. Information of third parties may be subject to additional restrictions. Resale of TI products or services with statements different from or beyond the parameters stated by TI for that product or service voids all express and any implied warranties for the associated TI product or service and is an unfair and deceptive business practice. TI is not responsible or liable for any such statements.

Buyers and others who are developing systems that incorporate TI products (collectively, "Designers") understand and agree that Designers remain responsible for using their independent analysis, evaluation and judgment in designing their applications and that Designers have full and exclusive responsibility to assure the safety of Designers' applications and compliance of their applications (and of all TI products used in or for Designers' applications) with all applicable regulations, laws and other applicable requirements. Designer represents that, with respect to their applications, Designer has all the necessary expertise to create and implement safeguards that (1) anticipate dangerous consequences of failures, (2) monitor failures and their consequences, and (3) lessen the likelihood of failures that might cause harm and take appropriate actions. Designer agrees that prior to using or distributing any applications that include TI products, Designer will thoroughly test such applications and the functionality of such TI products as used in such applications.

TI's provision of technical, application or other design advice, quality characterization, reliability data or other services or information, including, but not limited to, reference designs and materials relating to evaluation modules, (collectively, "TI Resources") are intended to assist designers who are developing applications that incorporate TI products; by downloading, accessing or using TI Resources in any way, Designer (individually or, if Designer is acting on behalf of a company, Designer's company) agrees to use any particular TI Resource solely for this purpose and subject to the terms of this Notice.

TI's provision of TI Resources does not expand or otherwise alter TI's applicable published warranties or warranty disclaimers for TI products, and no additional obligations or liabilities arise from TI providing such TI Resources. TI reserves the right to make corrections, enhancements, improvements and other changes to its TI Resources. TI has not conducted any testing other than that specifically described in the published documentation for a particular TI Resource.

Designer is authorized to use, copy and modify any individual TI Resource only in connection with the development of applications that include the TI product(s) identified in such TI Resource. NO OTHER LICENSE, EXPRESS OR IMPLIED, BY ESTOPPEL OR OTHERWISE TO ANY OTHER TI INTELLECTUAL PROPERTY RIGHT, AND NO LICENSE TO ANY TECHNOLOGY OR INTELLECTUAL PROPERTY RIGHT OF TI OR ANY THIRD PARTY IS GRANTED HEREIN, including but not limited to any patent right, copyright, mask work right, or other intellectual property right relating to any combination, machine, or process in which TI products or services are used. Information regarding or referencing third-party products or services does not constitute a license to use such products or services, or a warranty or endorsement thereof. Use of TI Resources may require a license from a third party under the patents or other intellectual property of the third party, or a license from TI under the patents or other intellectual property of TI.

TI RESOURCES ARE PROVIDED "AS IS" AND WITH ALL FAULTS. TI DISCLAIMS ALL OTHER WARRANTIES OR REPRESENTATIONS, EXPRESS OR IMPLIED, REGARDING RESOURCES OR USE THEREOF, INCLUDING BUT NOT LIMITED TO ACCURACY OR COMPLETENESS, TITLE, ANY EPIDEMIC FAILURE WARRANTY AND ANY IMPLIED WARRANTIES OF MERCHANTABILITY, FITNESS FOR A PARTICULAR PURPOSE, AND NON-INFRINGEMENT OF ANY THIRD PARTY INTELLECTUAL PROPERTY RIGHTS. TI SHALL NOT BE LIABLE FOR AND SHALL NOT DEFEND OR INDEMNIFY DESIGNER AGAINST ANY CLAIM, INCLUDING BUT NOT LIMITED TO ANY INFRINGEMENT CLAIM THAT RELATES TO OR IS BASED ON ANY COMBINATION OF PRODUCTS EVEN IF DESCRIBED IN TI RESOURCES OR OTHERWISE. IN NO EVENT SHALL TI BE LIABLE FOR ANY ACTUAL, DIRECT, SPECIAL, COLLATERAL, INDIRECT, PUNITIVE, INCIDENTAL, CONSEQUENTIAL OR EXEMPLARY DAMAGES IN CONNECTION WITH OR ARISING OUT OF TI RESOURCES OR USE THEREOF, AND REGARDLESS OF WHETHER TI HAS BEEN ADVISED OF THE POSSIBILITY OF SUCH DAMAGES.

Unless TI has explicitly designated an individual product as meeting the requirements of a particular industry standard (e.g., ISO/TS 16949 and ISO 26262), TI is not responsible for any failure to meet such industry standard requirements.

Where TI specifically promotes products as facilitating functional safety or as compliant with industry functional safety standards, such products are intended to help enable customers to design and create their own applications that meet applicable functional safety standards and requirements. Using products in an application does not by itself establish any safety features in the application. Designers must ensure compliance with safety-related requirements and standards applicable to their applications. Designer may not use any TI products in life-critical medical equipment unless authorized officers of the parties have executed a special contract specifically governing such use. Life-critical medical equipment is medical equipment where failure of such equipment would cause serious bodily injury or death (e.g., life support, pacemakers, defibrillators, heart pumps, neurostimulators, and implantables). Such equipment includes, without limitation, all medical devices identified by the U.S. Food and Drug Administration as Class III devices and equivalent classifications outside the U.S.

TI may expressly designate certain products as completing a particular qualification (e.g., Q100, Military Grade, or Enhanced Product). Designers agree that it has the necessary expertise to select the product with the appropriate qualification designation for their applications and that proper product selection is at Designers' own risk. Designers are solely responsible for compliance with all legal and regulatory requirements in connection with such selection.

Designer will fully indemnify TI and its representatives against any damages, costs, losses, and/or liabilities arising out of Designer's non-compliance with the terms and provisions of this Notice.