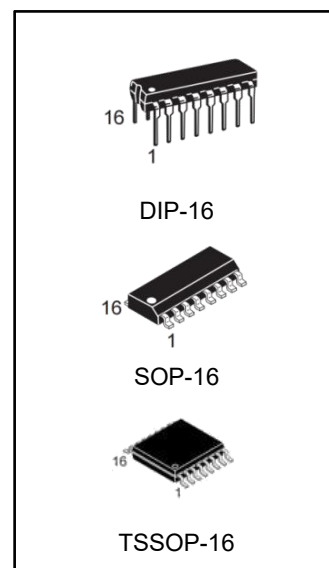


Features

- 7-Channel High Current Sink Drivers
- Supports up to 20V Output Pull-up Voltage
- Low Output VOL of 0.6V (Typical) with
- 100mA (Typ.) Current Sink per Channel at 3.3V Logic Input
- 140mA (Typ.) Current Sink per Channel at 5.0V Logic Input
- Compatible to 3.3V and 5.0V Micro-Controllers and Logic Interface
- Internal Free-wheeling Diodes for Inductive Kick-back Protection
- Input Pull-down Resistors Allows Tri-Stating the Input Driver
- Input RC-Snubber to Eliminate Spurious Operation in Noisy Environments
- ESD: 4kV HBM, 1kV CDM
- Available in 16-Pin DIP, 16-Pin SOP and 16-Pin TSSOP packages



Ordering Information

DEVICE	Package Type	MARKING	Packing	Packing Qty
ULN2003LVPG	DIP-16	ULN2003LV	TUBE	1000pcs/box
ULN2003LVDRG	SOP-16	ULN2003LV	REEL	2500pcs/Reel
ULN2003LVPWRG	TSSOP-16	2003LV	REEL	2500pcs/Reel

Description

The ULN2003LV are multi-channel sink drivers comprised of 7-channel output stages. The ULN2003LV sink driver features 7 low output impedance drivers that minimize on-chip power dissipation and an actual low power upgrade version for popular ULN2003A family in real applications. When driving a typical 12V relay coil, a ULN2003LV will dissipate 12 times lower power compared to ULN2003A.

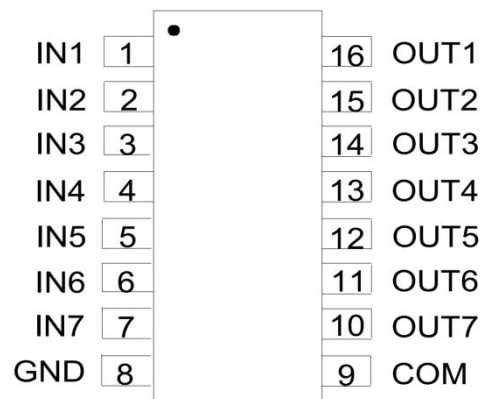
The ULN2003LV both support 3.3V to 5V CMOS logic input interface, thus making it compatible to a wide range of micro-controllers and other logic interfaces, and also feature an improved input interface that minimizes the input DC current drawn from the external drivers. The input RC snubber circuit integrated at ULN2003LV improves the performance in noisy operating conditions, and the internal pull-down resistor at input stage helps allow input logic to be tri-stated.

As shown in the Functional Diagram, each output of the ULN2003LV features an internal free-wheeling diode connected in a common-cathode configuration at the COM pin which provides flexibility of increasing current sink capability through combining several adjacent channels in parallel. Under typical conditions the ULN2003LV can support up to 1.0A of load current when all 7- channels are connected in parallel.

Applications

- Inputs Compatible with Popular Logic Types
- Relay Driver Applications
- Stepping Motor Applications
- Logic Level Shifter

Pin Assignments

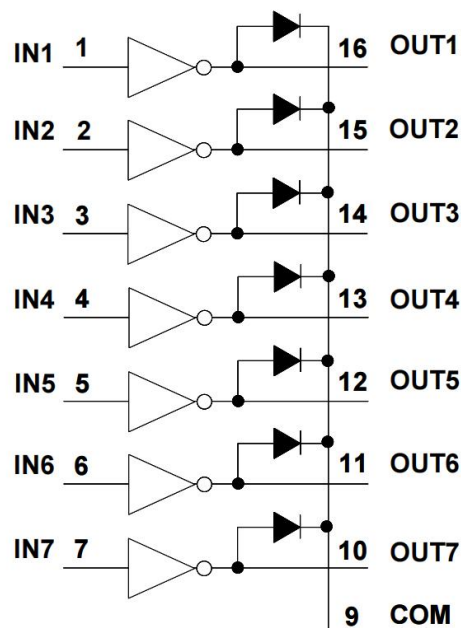


DIP-16/SOP-16/TSSOP-16
(Top View)

Pin Descriptions

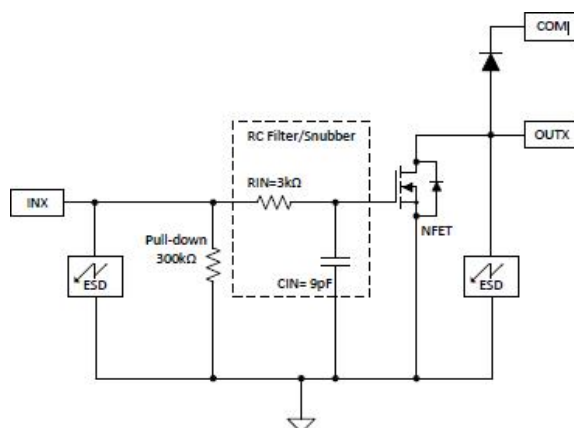
Pin Name	Pin Number	Description
IN1 ~ IN7	1~7	Logic Input Pins IN1 through IN7
GND	8	Ground Reference Pin
COM	9	Internal Free-Wheeling Diode Common Cathode Pin
OUT7 ~ OUT1	10~16	Channel Output Pins OUT7 through OUT1

Functional Diagram



ULN2003LV

Functional Block Diagram (Single Channel)



Absolute Maximum Ratings (@ $T_A = +25^\circ\text{C}$, unless otherwise specified.)

Symbol	Parameter	Rating		Unit	
		MIN	MAX		
V_{IN}	Pin2 IN1~IN7 to GND Voltage	-0.3	5.5	V	
V_{OUT}	Pins OUT1~OUT7 to GND Voltage	-	20	V	
V_{COM}	Pin COM to GND Voltage	-	20	V	
I_{GND}	Max GND-Pin Continuous Current ($+100^\circ\text{C} < T_J < +125^\circ\text{C}$)	-	700	mA	
	Max GND-Pin Continuous Current ($T_J < +100^\circ\text{C}$)	-	1.0	A	
P_D	Total Device Power Dissipation at $T_A = +85^\circ\text{C}$	16 Pin – SOP	TBD		W
		16 Pin – TSSOP	TBD		W
θ_{JA}	Thermal Resistance Junction-to-Ambient (Note 6)	16 Pin – SOP	TBD		$^\circ\text{C}/\text{W}$
		16 Pin – TSSOP	TBD		
θ_{JC}	Thermal Resistance Junction-to-Case (Note 7)	16 Pin – SOP	TBD		$^\circ\text{C}/\text{W}$
		16 Pin – TSSOP	TBD		
ESD	HBM	-	4	kV	
	CDM	-	1	kV	
T_J	Junction Temperature	-55	150	$^\circ\text{C}$	
T_{STG}	Storage Temperature	-55	150	$^\circ\text{C}$	
T_L	Lead Temperature (Soldering, 10 seconds)	-	245	$^\circ\text{C}$	

Notes:

- Stresses beyond those listed under "absolute maximum ratings" may cause permanent damage to the device. These are stress ratings only.
Functional operation of the device at these or any other conditions beyond those indicated under "recommended operating conditions" is not implied.
Exposure to absolute-maximum-rated conditions for extended periods may affect device reliability.
- All voltage values are with respect to the emitter/substrate terminal E, unless otherwise noted.
- Maximum power dissipation is a function of $T_J(\text{max})$, θ_{JA} , and T_A . The maximum allowable power dissipation at any allowable ambient temperature is $P_D = (T_J(\text{max}) - T_A)/\theta_{JA}$. Operating at the absolute maximum T_J of $+150^\circ\text{C}$ can affect reliability.
- Maximum power dissipation is a function of $T_J(\text{max})$, θ_{JC} , and T_A . The maximum allowable power dissipation at any allowable ambient temperature is $P_D = (T_J(\text{max}) - T_C)/\theta_{JA}$. Operating at the absolute maximum T_J of $+150^\circ\text{C}$ can affect reliability.

Recommended Operating Conditions (@T_A = +25°C, unless otherwise specified.)

Symbol	Parameter	Min	TYP	Max	Unit	
V _{OUT}	Channel Off-Stage Output Pull-Up Voltage	-	-	16	V	
V _{COM}	COM Pin Voltage	-	-	16	V	
I _{OUT(ON)}	Per Channel Continuous Sink Current	V _{INX} = 3.3V	-	-	100 ⁽⁵⁾	mA
		V _{INX} = 5.0V	-	-	140 ⁽⁵⁾	
T _J	Operating Junction Temperature	-40	-	125	°C	

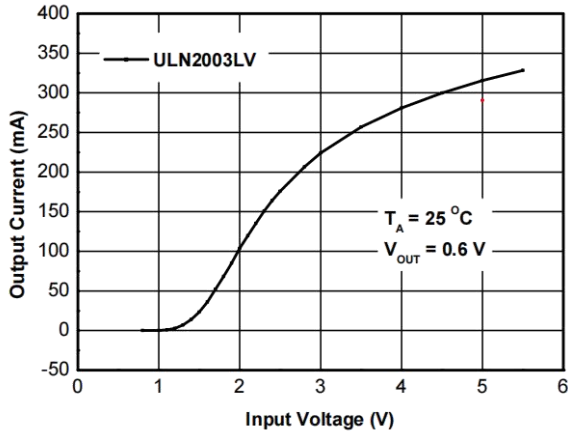
Electrical Characteristics (@T_A = +25°C, unless otherwise specified.)

Specified over the recommended junction temperature range T_J=-40°C to +125°C and over recommended operating conditions unless otherwise noted. Typical values are at T_J = +25°C.

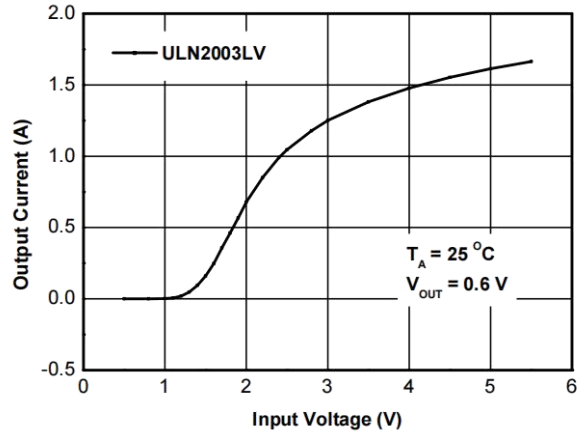
Parameter	Test conditions	Min	Typ.	Max	Unit		
INPUTS IN1 THROUGH IN7 PARAMETERS							
V _{I(ON)}	IN1~IN7 logic high input voltage	V _{CE} = 2V, I _C = 80mA		1.65	-	-	V
V _{I(OFF)}	IN1~IN7 logic low input voltage	I _C = 5μA		-	-	0.5	V
I _{I(ON)}	IN1~IN7 ON state input current	V _i =3.3V		-	12	25	μA
I _{I(OFF)}	IN1~IN7 OFF state input leakage	V _i =0V		-	-	250	nA
OUTPUTS OUT1 THROUGH OUT7 PARAMETERS							
V _{OL(VCE-SAT)}	OUT1~OUT7 low-level output voltage	V _{INX} = 3.3V, I _{OUTX} = 20mA		-	0.12	0.15	V
		V _{INX} = 3.3V, I _{OUTX} = 100mA		-	0.6	0.75	
		V _{INX} = 5.0V, I _{OUTX} = 20mA		-	0.09	0.11	
		V _{INX} = 5.0V, I _{OUTX} = 140mA		-	0.6	0.75	
I _{OUT(ON)}	OUT1~OUT7 ON-state continuous current at V _{OUTX} = 0.6V	V _{INX} = 3.3V, V _{OUTX} = 0.6V		80	100	-	mA
		V _{INX} = 5.0V, V _{OUTX} = 0.6V		95	140	-	
I _{OUT(ON)}	OUT1~OUT7 OFF-state leakage current	V _{INX} = 0V, V _{OUTX} = V _{COM} = 16V		-	0.5	-	μA
SWITCHING PARAMETERS							
t _{PHL}	OUT1~OUT7 logic high propagation delay	V _{INX} = 3.3V, V _{pull-up} = 12V, R _{pull-up} = 1kΩ		-	50	70	ns
t _{PLH}	OUT1~OUT7 logic low propagation delay	V _{INX} = 3.3V, V _{pull-up} = 12V, R _{pull-up} = 1kΩ		-	121	140	ns
t _{CHANNEL}	Channel to channel delay	Over recommended operating conditions and with same test conditions on channels.		-	15	50	ns
R _{PD}	IN1~IN7 input pull-down resistance	-		210k	300k	390k	Ω
ζ	IN1~IN7 input filter time constant	-		-	9	-	ns
C _{OUT}	OUT1~OUT7 output capacitance	V _{INX} = 3.3V, V _{OUTX} = 0.4V		-	15	-	pF
FREE-WHEELING DIODE PARAMETERS							
V _F	Forward voltage drop	I _{F-peak} = 140mA, V _F = V _{OUTX} - V _{COM}		-	1.2	-	V
I _{F-peak}	Diode peak forward current	-		-	140	-	mA

Performance Characteristics

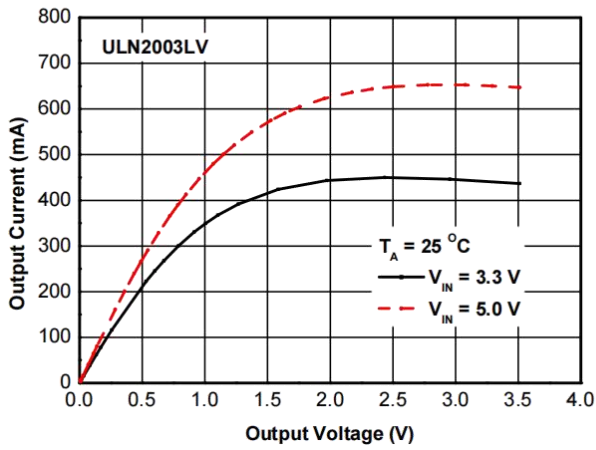
Output Current vs. Input Voltage (One Darlington)



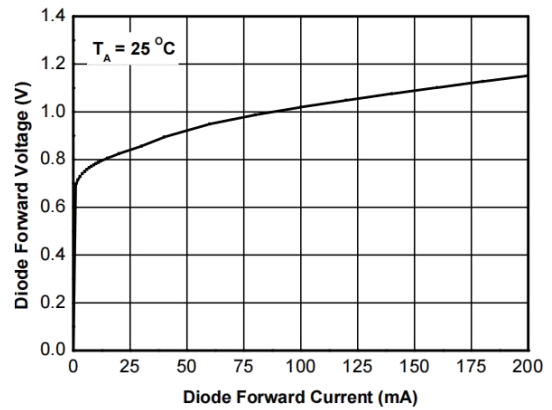
Output Current vs. Input Voltage (All Darlings in Parallel)



Output Current vs. Output Voltage

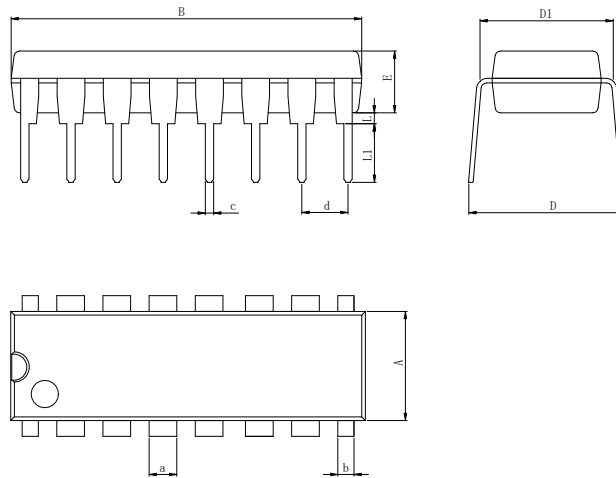


Diode Forward Voltage vs. Diode Forward Current



Physical Dimensions

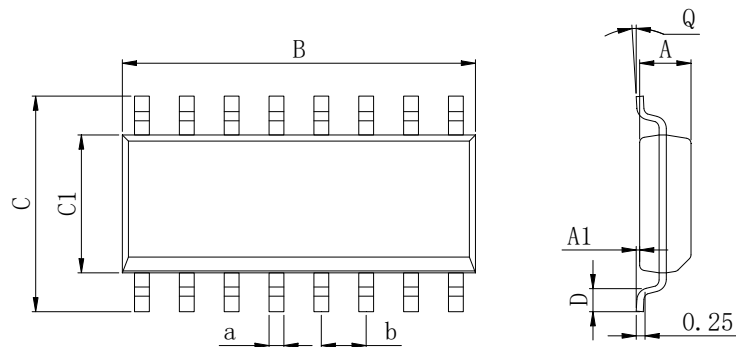
DIP-16



Dimensions In Millimeters(DIP-16)

Symbol:	A	B	D	D1	E	L	L1	a	b	c	d
Min:	6.10	18.94	8.10	7.42	3.10	0.50	3.00	1.50	0.85	0.40	2.54 BSC
Max:	6.68	19.56	10.9	7.82	3.55	0.70	3.60	1.55	0.90	0.50	

SOP-16

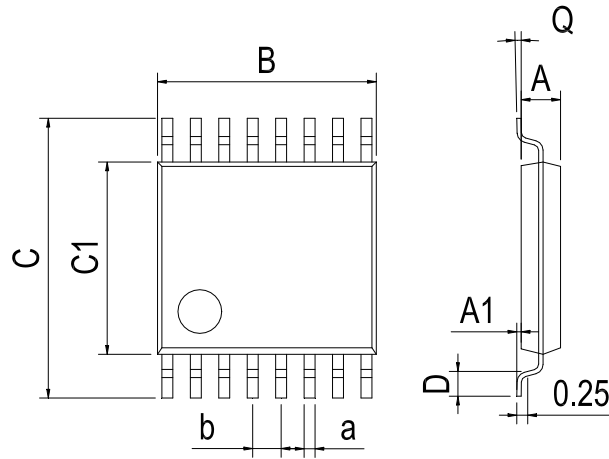


Dimensions In Millimeters(SOP-16)

Symbol:	A	A1	B	C	C1	D	Q	a	b
Min:	1.35	0.05	9.80	5.80	3.80	0.40	0°	0.35	1.27 BSC
Max:	1.55	0.20	10.0	6.20	4.00	0.80	8°	0.45	

Physical Dimensions

TSSOP-16



Dimensions In Millimeters(TSSOP-16)

Symbol:	A	A1	B	C	C1	D	Q	a	b
Min:	0.85	0.05	4.90	6.20	4.30	0.40	0°	0.20	0.65 BSC
Max:	0.95	0.20	5.10	6.60	4.50	0.80	8°	0.25	

Revision History

DATE	REVISION	PAGE
2020-10-5	New	1-10
2023-8-26	Modify the package dimension diagram TSSOP-16、 Update encapsulation type、 Update Lead Temperature、 Updated DIP-16 dimension	1、 4、 7、 10

IMPORTANT STATEMENT:

Hanschip Semiconductor reserves the right to change its products and services without notice. Before ordering, the customer shall obtain the latest relevant information and verify whether the information is up to date and complete. Hanschip Semiconductor does not assume any responsibility or obligation for the altered documents.

Customers are responsible for complying with safety standards and taking safety measures when using Hanschip Semiconductor products for system design and machine manufacturing. You will bear all the following responsibilities: select the appropriate Hanschip Semiconductor products for your application; Design, validate and test your application; Ensure that your application meets the appropriate standards and any other safety, security or other requirements. To avoid the occurrence of potential risks that may lead to personal injury or property loss.

Hanschip Semiconductor products have not been approved for applications in life support, military, aerospace and other fields, and Hanschip Semiconductor will not bear the consequences caused by the application of products in these fields. All problems, responsibilities and losses arising from the user's use beyond the applicable area of the product shall be borne by the user and have nothing to do with Hanschip Semiconductor, and the user shall not claim any compensation liability against Hanschip Semiconductor by the terms of this Agreement.

The technical and reliability data (including data sheets), design resources (including reference designs), application or other design suggestions, network tools, safety information and other resources provided for the performance of semiconductor products produced by Hanschip Semiconductor are not guaranteed to be free from defects and no warranty, express or implied, is made. The use of testing and other quality control technologies is limited to the quality assurance scope of Hanschip Semiconductor. Not all parameters of each device need to be tested.

The documentation of Hanschip Semiconductor authorizes you to use these resources only for developing the application of the product described in this document. You have no right to use any other Hanschip Semiconductor intellectual property rights or any third party intellectual property rights. It is strictly forbidden to make other copies or displays of these resources. You should fully compensate Hanschip Semiconductor and its agents for any claims, damages, costs, losses and debts caused by the use of these resources. Hanschip Semiconductor accepts no liability for any loss or damage caused by infringement.