

FC-SCTEE8.5-1-100T-25A.Current Sense Transformers

Height: 9.0mm Max

Current Rating: up to 15A

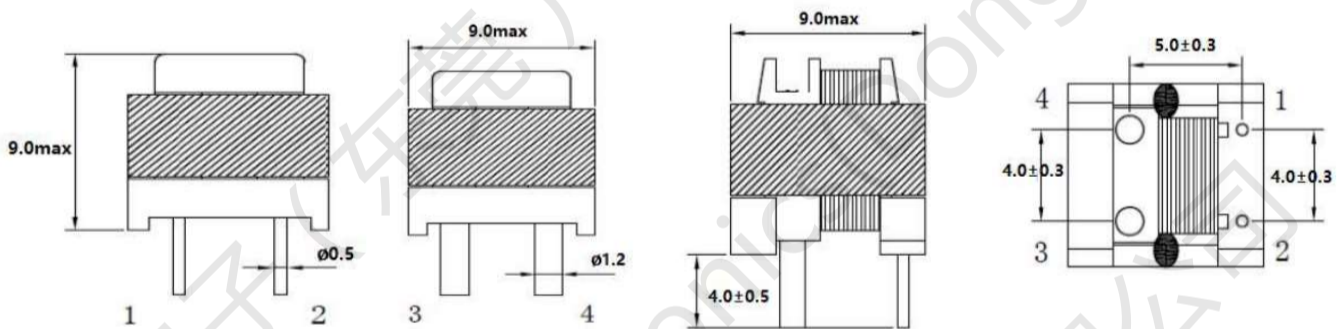
Low Primary DCR version

Ambient temperature -40°C to $+85^{\circ}\text{C}$

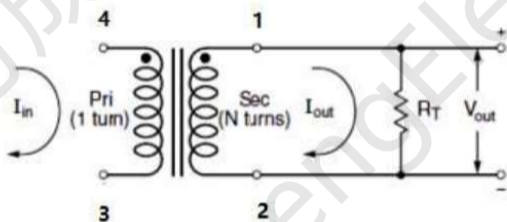
Storage temperature Component: -40°C to $+125^{\circ}\text{C}$



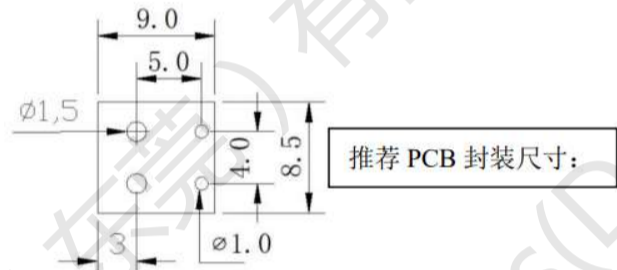
1. Dimensions:mm



2.Schematic:



3.LAYOUT RECOMMENDATION



4.Electrical Characteristics :

NO.	名称	测量端	测量值	测试条件	测试仪器
1	Inductance	L ₁₋₂	$\geq 5.0\text{mH}$	10kHz 0.3V 25°C	WK3260
2	DCR1	R ₁₋₂	$2.5\ \Omega$ MAX	25°C	CH502BC
3	DCR2	R ₄₋₃	$2.5\text{m}\Omega$ MAX	25°C	CH502BC
4	Current	I ₄₋₃	DC-25A	1kHz 0.3V 25°C	WK3250+3260B
5	Turns Ratio	N ₁ : N ₂	100 : 1	20kHz 1V	WK3260
6	HI-POT	N ₁ ---N ₂	DC1500V	1mA/3sec.	CH19503