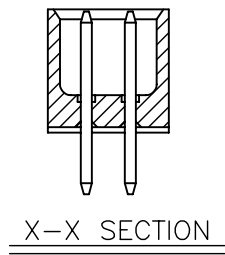
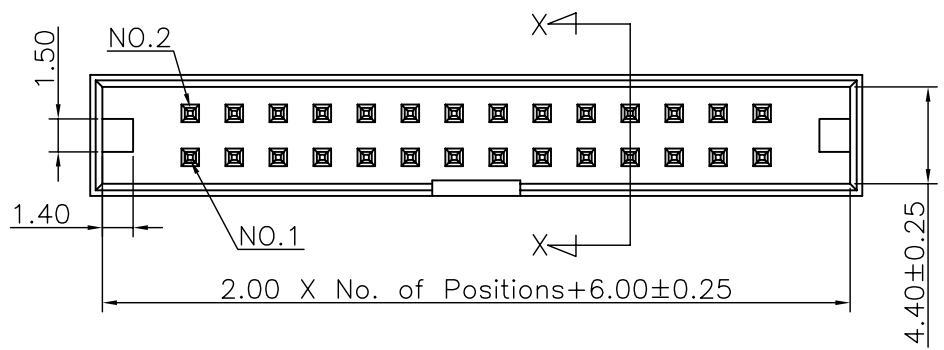
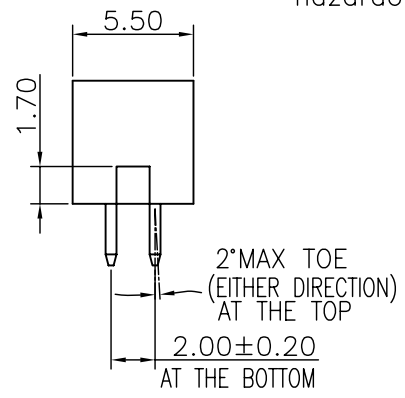
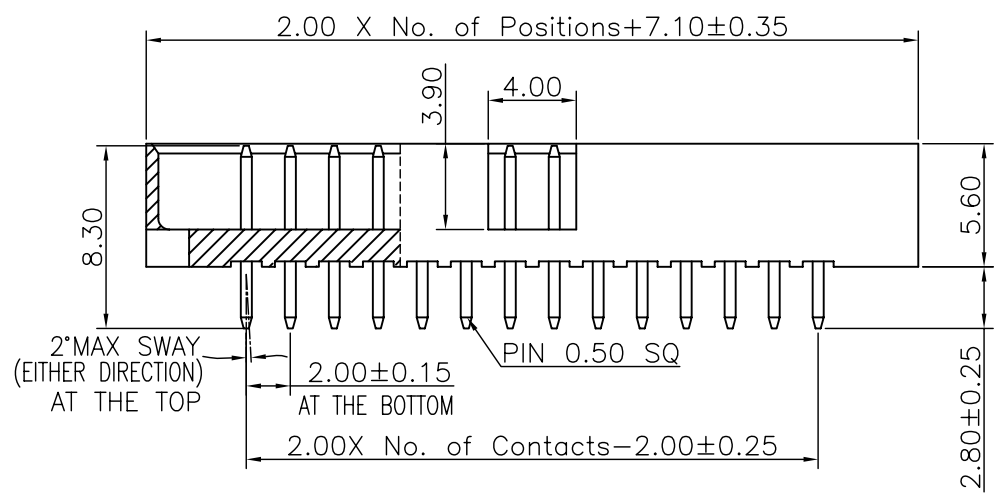


REV.	LOCAS.	DESCRIPTION	DATE	DRAWN
01	NEW	BATCH PRODUCTION INITIAL RELEASE.	2014.11.13	邱國強



Specifications  
 Current Rating: 2.0Amp  
 Insulation Resistance: 1000MΩMin.  
 Dielectric Withstanding Voltage: 500VAC  
 Contact Resistance: 20mΩMax.  
 Operating Temperature: -40°C to +105°C  
 Materials  
 Contact Material: Brass  
 Insulator Material: High Temperature Thermoplastic, UL 94V-0 Nylon 6T (Halogen Free) or the equivalent material  
 All materials must meet Greenconn hazardous substances control standards.

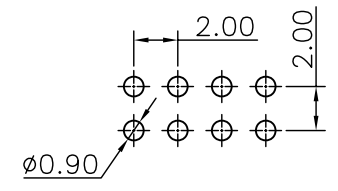


### Ordering Information

G PFA220 - XX XX A 004 R 1 B X

No. of Pins per Row 04~25  
 Standard Plating 02=Gold Flash  
 Selective Plating 01=Tin 05=Gold Flash/Tin  
 Color 1=Black  
 Standard Packing B=Tray  
 Selective Packing A=Box C=Tube

Recommended P.C.Board Layout  
 (Tolerance: ±0.05)



格稜股份有限公司  
**Greenconn Corporation**

GENERAL TOLERANCE	
X.*±5.0°	X.±0.30
.X*±3.0°	.X±0.25
.XX*±2.0°	.XX±0.15
.XXX*±1.0°	.XXX±0.10

DESIGNED: 邱國強	DATE: 2014.11.13
CHECKED: 曹熙	DATE: 2014.11.13
CO SIGNED: 李紹秀	DATE: 2014.11.13
APPROVED: 李輝	DATE: 2014.11.13

DWG. NO.	GPFA220-CA4RB
PART NO.	GPFA220-XXXX A004R1BX

TITLE.  
 2.00 PIN HEADER  
 DUAL ROWS DIP TYPE  
 CONNECTOR

REV.	UNIT.	SCALE.	PAGE.
01	mm	3:1	1/1