

Specifications

备注 (Remark)

1. 材料 (MATERIAL)

胶芯: PA9T新料+30%G.F UL94V-0, 颜色: 黑色.

Housing: PA9T新料+30%G.F UL94V-0, Color: Black

端子: 磷铜, 镍底50u"MIN, 表面镀金1u"MIN

Contact: Phosphor bronze, 1u"MIN GOLD PLATING OVER ALL

50u" MIN NICKEL UNDERPLATING OVER ALL

2. 特性 (characteristics):

额定电流: 3 AMP

Rating Current: 3 AMP.

接触阻抗: 20 mΩ MAX.

Contact Resistance: 20 mΩ MAX.

绝缘阻抗: 1000 MΩ MIN.

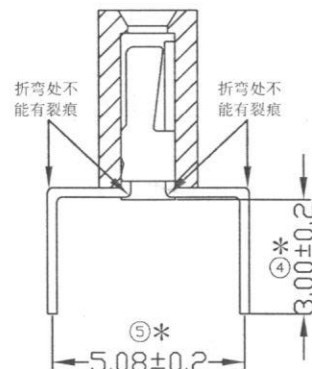
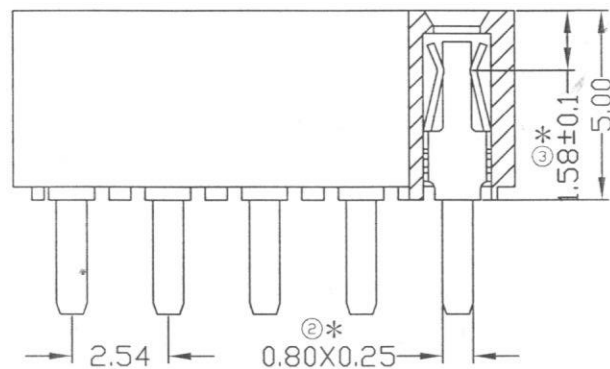
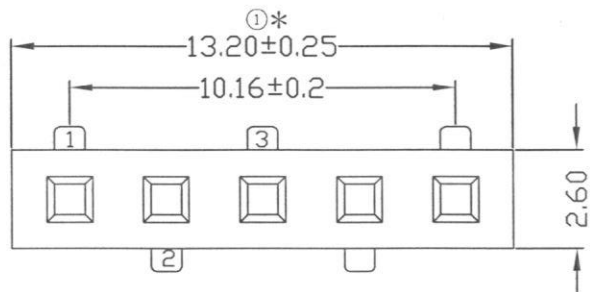
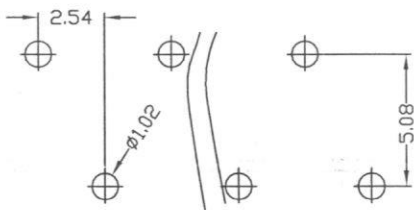
Insulating Resistance: 1000 MΩ MIN.

耐电压: AC 1000V.

Withstanding Voltage: AC 1000V.

温度范围: -40° C to +105° C

Temperture Range: -40° C to +105° C



Ordering Information

F150-11 05 A1 C WU C 2

NO. OF PINS PER ROW 1-40P	Contact Plating Full Of Gold A0=0.8u" A1=1u" A2=1.5u" A3=2u" A4=3u" A5=5u" A6=10u" A7=15u" A8=20u" A9=30u"	Semi-gold B0=0.8u" B1=1u" B2=1.5u" B3=2u" B4=3u" B5=5u" B6=10u" B7=15u" B8=20u" B9=30u"	INSULATOR MATERIAL: A: PA9T C: PA9T D: LCP	PACKING A: PE Bag B: Tape & Reel C: Tube D: Tube+CAP E: Tray	TYPE1:1 TYPE2:2
---------------------------------	---	---	---	---	--------------------

工程
2019.11.06
受控文件



客编: V1171

注意
事项

1. PA9T新料 磷铜 DIP: 3.0 镀金1U 镍底50U.
2. 注意端子折弯处 不能有裂痕.
3. 带*为品管检验尺寸.

OPERATION		SCALE		Fit		Yxcon 东莞市宇熙精密连接器有限公司				
X.X	±0.25	UNIT		MM		www.yxcon.com Dongguan Yuxi Electronic Co., Ltd.				
X.XX	±0.20	SIZE	A4	DESIGN	杨哲	PART NO.	F150-1105A1CWUC2			
X.XXX	±0.10	SHEET	1/1	CHECK	莫江江	TITLE:	FH2.54*5.0 1*5P 磷铜脚/脚距7.62 PA9T新料 磷铜 DIP: 3.0 镀金1U 镍底50U 脚粗0.8mm 管装 V1171			
Angle	±3°	PROJ.	☉	APPROVE	王有东					
DIM	TOL									

REV	DATE	MODIFICATION DESCRIPTION	CHANGE	APPROVE
A0	2019/11/06	新版发行	杨哲	方总