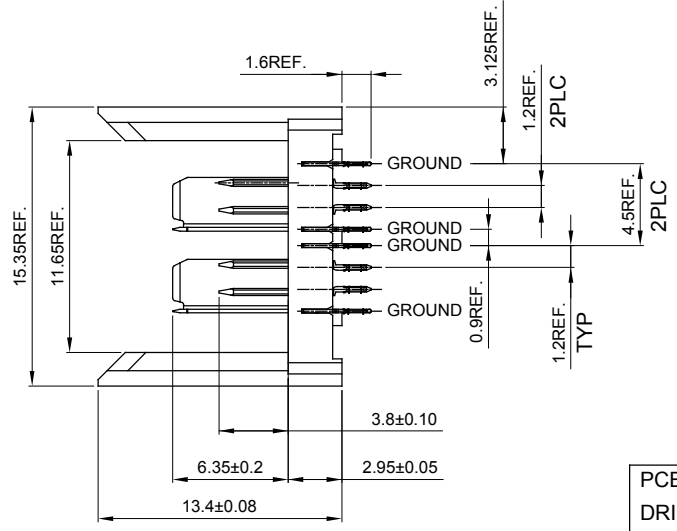
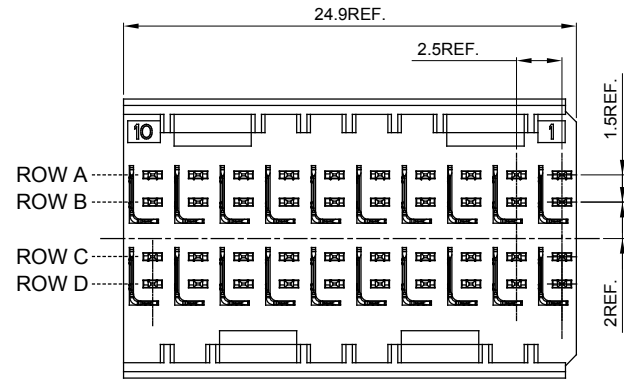
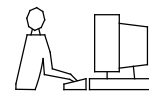


TOLERANCE UNLESS OTHERWISE SPECIFIED	
.X	±0.35
.XX	±0.25
.XXX	±0.15

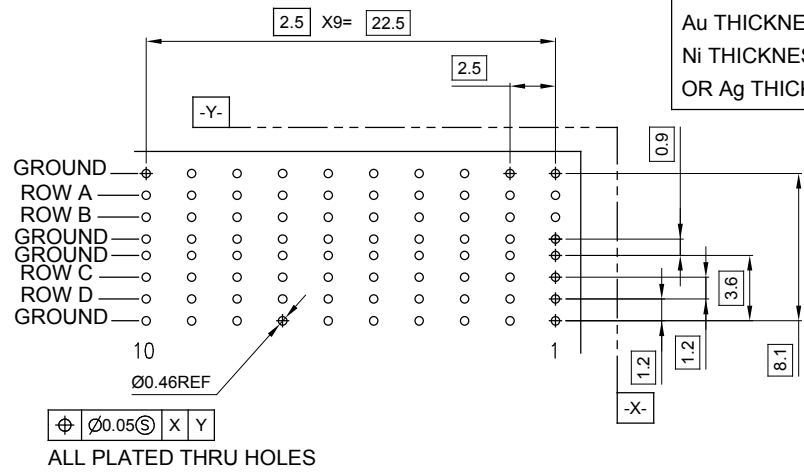
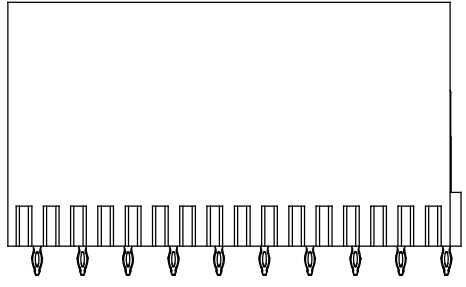
THIS IS A C.A.D. GENERATED DRAWING
DO NOT MAKE MANUAL REVISIONS TO MASTER.
UNLESS OTHERWISE SPECIFIED, ALL RADIUS ARE 0.2 MM.



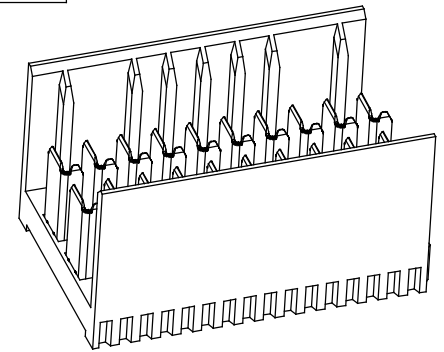
NOTES:

MATERIAL:
HOUSING: LCP +30% GLASS REINFORCED, UL94V-0
SHIELD: PHOSPHOR BRONZE
CONTACT: PHOSPHOR BRONZE
GOLD FLASH PLATING 30~100µ" ON SOLDER
TAIL OVER NICKEL 50~150µ" UNDER PLATING

PCB HOLE DIM:
DRILLED HOLE = 0.550±0.020mm
FINISHED HOLE = 0.460±0.050mm
Cu THICKNESS = 0.0375±0.0125mm
Au THICKNESS = 0.007±0.003mm
Ni THICKNESS = 0.0044±0.0032mm
OR Ag THICKNESS = 0.0003±0.002mm



ALL PLATED THRU HOLES



ZD+ CONNECTOR, MALE, VERTICAL, 2 PAIR	
EDAC	EDAC INC TORONTO, ONTARIO CANADA YOUR CONNECTION TO QUALITY & SERVICE
THESE DRAWINGS AND SPECIFICATIONS ARE THE PROPERTY OF EDAC INC., AND SHALL NOT BE REPRODUCED, OR COPIED OR USED AS THE BASIS FOR THE MANUFACTURE OR SALE OF APPARATUS WITHOUT WRITTEN PERMISSION.	

ACAD REFERENCE NO.: 500-040-231-J01	
DRAWN: W.T	DATE: JUNE.27 /2018
CHECKED:	DATE:
SCALE: N.T.S	SHEET 1 OF 1
DRAWING NUMBER: 500-040-231-J01	ISSUE 1
PART NUMBER: 500-040-231-J01	



THIS SERIES FULLY CONFORMS TO THE EUROPEAN UNION DIRECTIVES 2011/65/EU FOR RoHS COMPLIANCY.