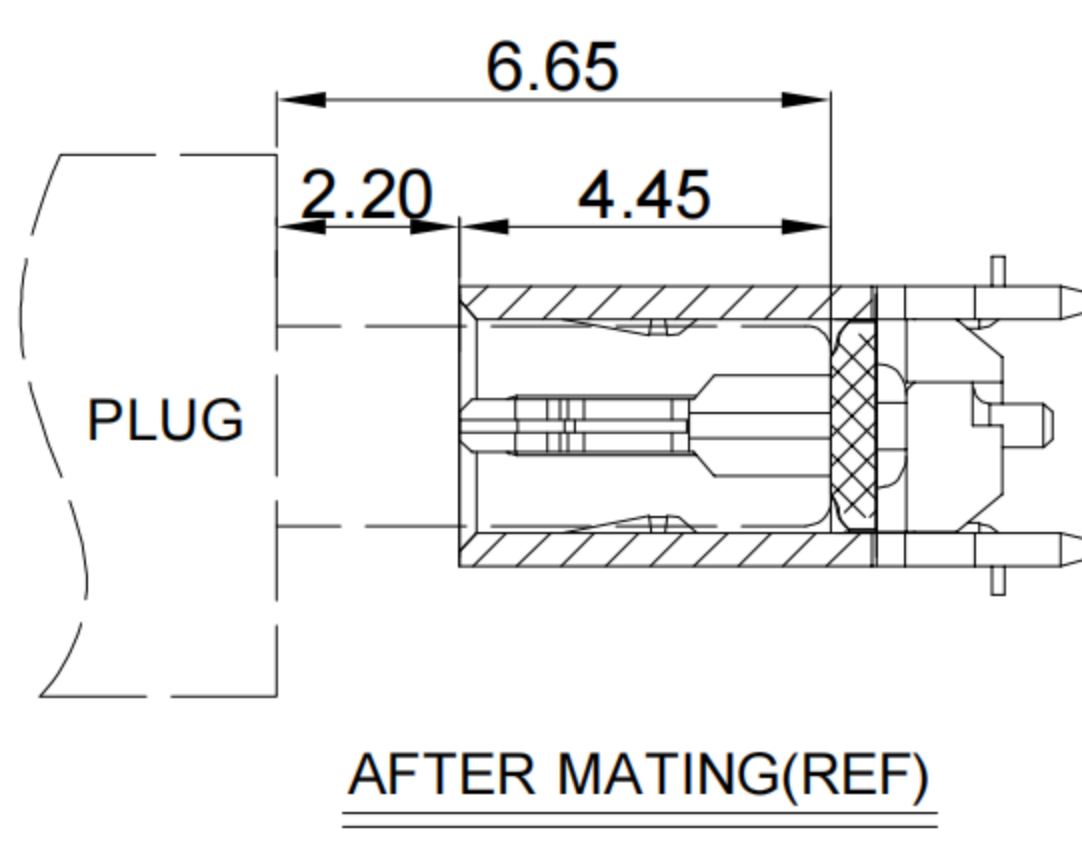
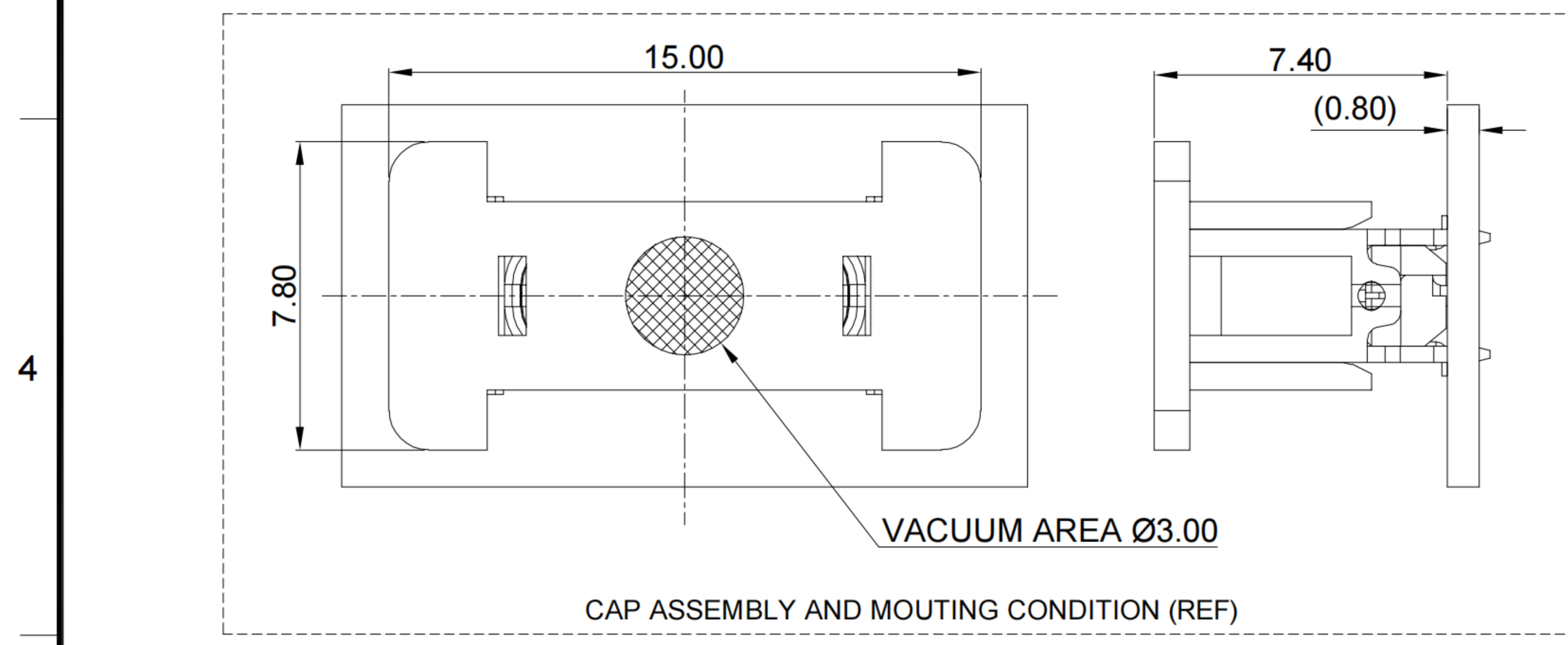


- G-Switch USB-C Specification:**
- Current rated: 5A on vbus/1.25A on vconn/0.25A on other
  - Voltage rating: 24V AC
  - Withstanding voltage: 100V AC/minute
  - Contact resistance: 40mΩ Max
  - Insulation resistance: 100MΩ Min
  - Operating temperature: -40°C ~ +85°C
  - Mating force: 5N~20N
  - Unmating force: 8N~20N
  - Durability cycle: 10,000 cycles
  - Data transmission rate up to 5Gbps



A1	A2	A3	A4	A5	A6	A7	A8	A9	A10	A11	A12
GND	TX1+	TX1-	VBUS	CC1	D+	D-	SBU1	VBUS	RX2-	RX2+	GND
First	Second	Second	First	Second	Second	Second	Second	First	Second	Second	First
B12	B11	B10	B9	B8	B7	B6	B5	B4	B3	B2	B1
GND	RX1+	RX1-	VBUS	SBU2	D-	D+	CC2	VBUS	TX2-	TX2+	GND
First	Second	Second	First	Second	Second	Second	Second	First	Second	Second	First

1	CAP	HIGH TEMPERATURE PLASTIC	BLACK UL 94 V-0
2	SHELL	STAINLESS STEEL	Ni PLATED
3	MID PLATE	STAINLESS STEEL	CLEAN
4	HOUSING	HIGH TEMPERATURE PLASTIC	BLACK UL 94 V-0
5	TERMINALS	COPPER ALLOY	Au PLATING ON CONTACT AREA
NO.	PARTS	MATERIAL	REMARKS



SCALE: 1:1	UNIT: mm	Title: Vertical Type-c 24P Female	
SIZE: A4		SMT H=6.5mm	
Unless otherwise General Tolerance:		Molde Code: GT-USB-7061	
X.	±0.25	DRAWN	CHECKED
X.x	±0.20	Xia	Chen
X.xx	±0.15	APPROVED	APPROVED
X.xxx	±0.10	Chen	Chen
X°	±5°	DATE	DATE
			2023.02.01



REV: A0 SHEET: 1/1