

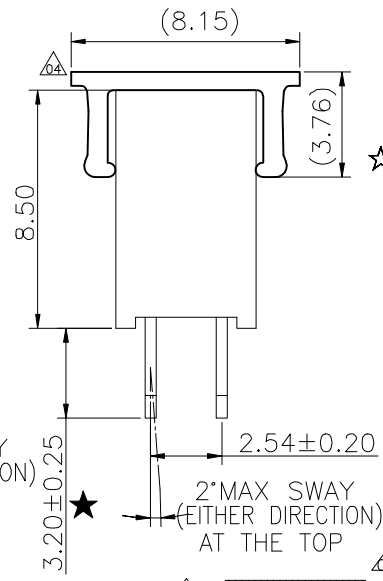
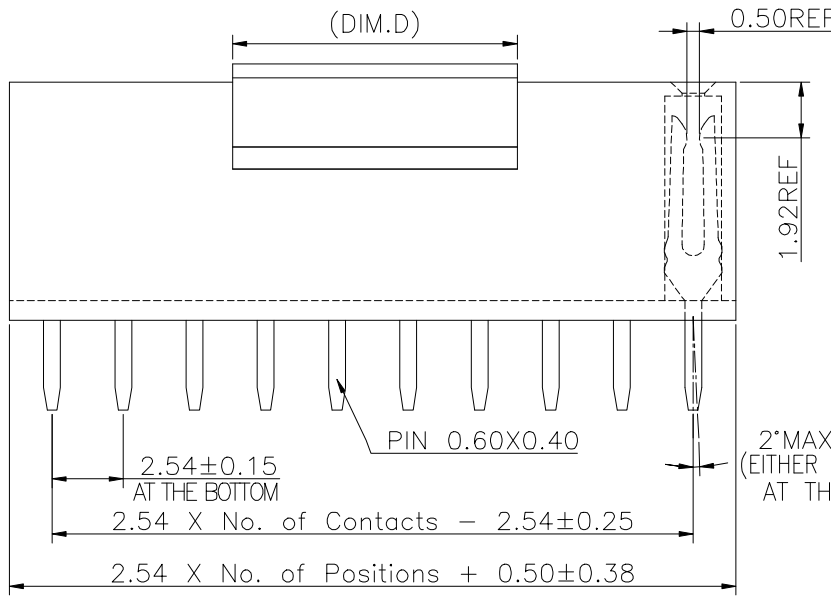
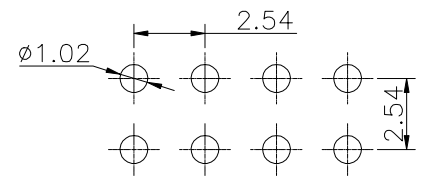
REV.	LOCAS.	DESCRIPTION	DATE	DRAWN
04	△△	依業務要求增加帽子	2019.04.25	何東華
05	△△	依業務要求增加Tray包裝	2021.11.15	何東華
06	△△	依業務要求增加車模料號	2022.03.15	何東華

Dim.D	NOTE
4.00mm	02~03Pin
10.15mm	04~40Pin

Specifications
 Current Rating:3Amp
 Insulation Resistance:1000MΩMin.
 Dielectric Withstanding Voltage:600VAC
 Contact Resistance:20mΩMax.
 Operating Temperature:-40°C to +105°C
 Materials
 Contact Material:Phosphor Bronze
 Insulator Material:High Temperature Thermoplastic, UL 94V-0 Nylon (HalogenFree) or the equivalent material
 ☆All materials must meet Greenconn requirement for environment protection.
 "★": Critical Characteristics, indicates product characteristics, functionalities, and manufacturing processes regarding to customer's specifications
 "☆": Safety Features indicates product characteristics, functionalities, and manufacturing processes complying to legal regulations stated by local government

Greenconn P/N	Customer	Remarks
CSHA201-0202A001R1AB	Z079	Automotive Connector
CSHA201-1002A001R1AB		
CSHA201-1202A001R1AA	N032	

Recommended P.C.Board Layout
 (Tolerance:±0.05)



Ordering Information
 C SHA201 -XX XX A 001 R 1 A X

- No. of Pins per Row: 02~40
- Standard Plating: 02=Gold Flash
- Selective Plating: 01=Tin, 05=Gold Flash/Tin
- Color: 1=Black
- Standard Packing: A=Box, Selective Packing
- △△: B=Tray, C=Tube, E=Cap+Tube, F=Cap+Tape&Reel, G=Acetate Tape, H=Acetate Tape+Tape&Reel

 Website:www.greenconn.com E-mail:sales@greenconn.com	3RD.ANG PROJ. PAGE. 1/1	GENERAL TOLERANCE X'±5.0' X.±0.30 .X'±3.0' .X±0.25 .XX'±2.0' .XX±0.15 .XXX'±1.0' .XXX±0.10		DESIGNED: 何東華 CHECKED: APPROVED:	DATE: 2022.03.15 DATE: DATE:	DWG. NO. CSHA201-CA1RA PART NO. CSHA201-XXXX A001R1AX	TITLE. 2.54 FEMALE HEADER DUAL ROWS DIP TYPE CONNECTOR	
		REV. 06 UNIT. mm SCALE. 4:1						