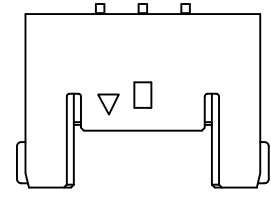
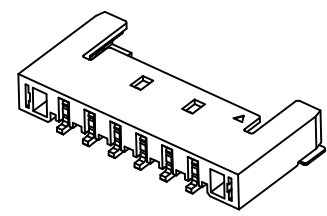
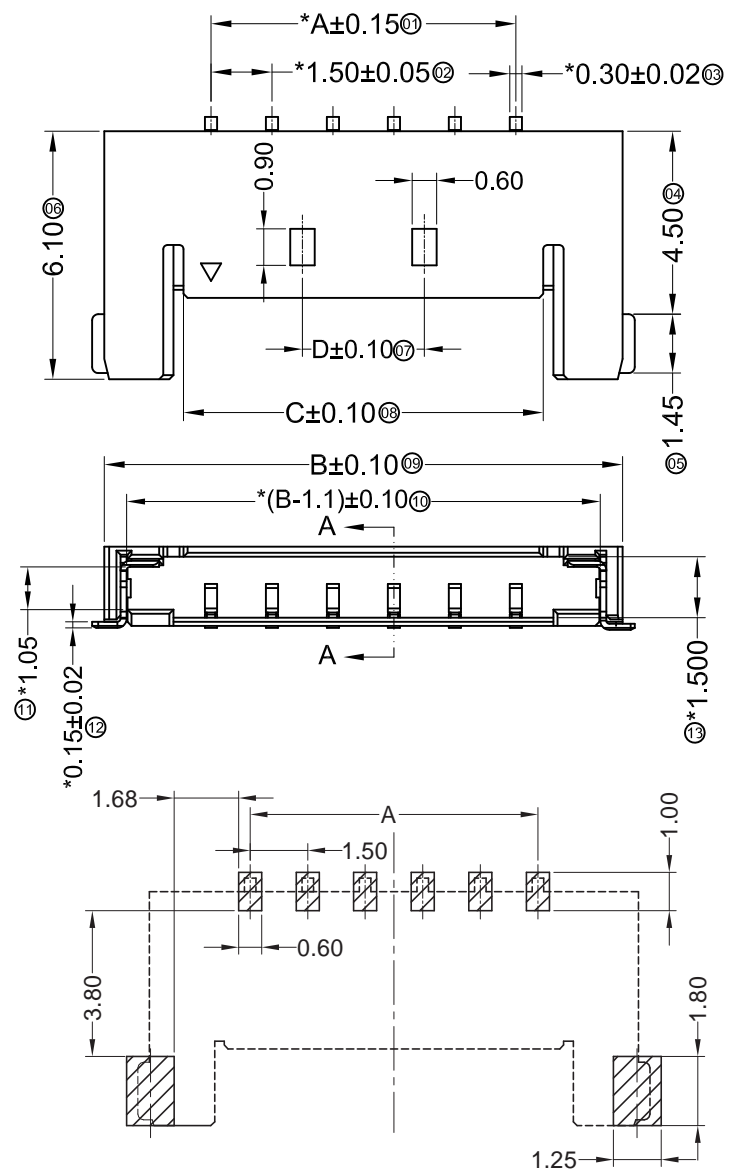
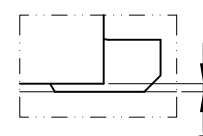
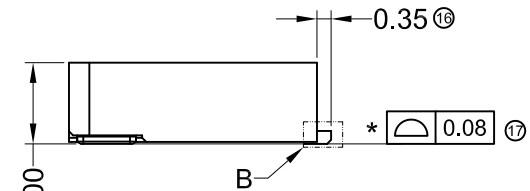


环保物料

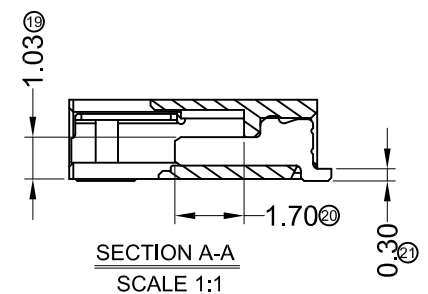
TEL: 0769-82001899



02P~04P Single Hole
Scale 1:0.7



DETAIL B
SCALE 1:1



SECTION A-A
SCALE 1:1

SPECIFICATIONS

1. Voltage rating: 150V AC, DC
 2. Current rating: 3A, AC, DC
 3. Withstanding Voltage: 500V AC/minute
 4. Insulation resistance: 1000M min
 5. Temperature range: -25 °C - +85 °C
 6. Contact resistance: 20m max
- WAFER
Housing Material: PA4T UL 94V0
Pin Material: Phosphor Bronze or Brass
Contact Area Plating: Plated Tin or Plated Gold
Mates with :P1503 series Housing
Poles: 02-12P
Part No.: M1503RS-xx-BK

Pin位数

Poles	Dimensions(mm)			
	A	B	C	D
02	1.50	6.75	2.85	
03	3.00	8.25	4.35	
04	4.50	9.75	5.85	
05	6.00	11.25	7.35	3.00
06	7.50	12.75	8.85	3.00
07	9.00	14.25	10.35	4.50
08	10.50	15.75	11.85	6.00
09	12.00	17.25	13.35	7.50
10	13.50	18.75	14.85	9.00
11	15.00	20.25	16.35	10.50
12	16.50	21.75	17.85	12.00

AO				
VER	MODIFICATION	DRAW	DATE	

TOLERANCE UNLESS OTHERWISE		DRAWN	CK tan
X.	± 0.30	X°	$\pm 5^\circ$
.X	± 0.20	.X°	$\pm 2^\circ$
.XX	± 0.08	.XX°	$\pm 1^\circ$
.XXX	± 0.03	.XXX°	$\pm 0.5^\circ$

XFCN 兴飞连接器有限公司
XFCN CONNECTORS CO.,LTD.

PRODUCT NAME: 1.50mm Crimp Style Connectors

PART. NO.: M1503RS-xx-BK

SHEET	1/1
DATE	2020. 04. 12
UNITS	mm
SCALE	1:1
DWG. NO.	009